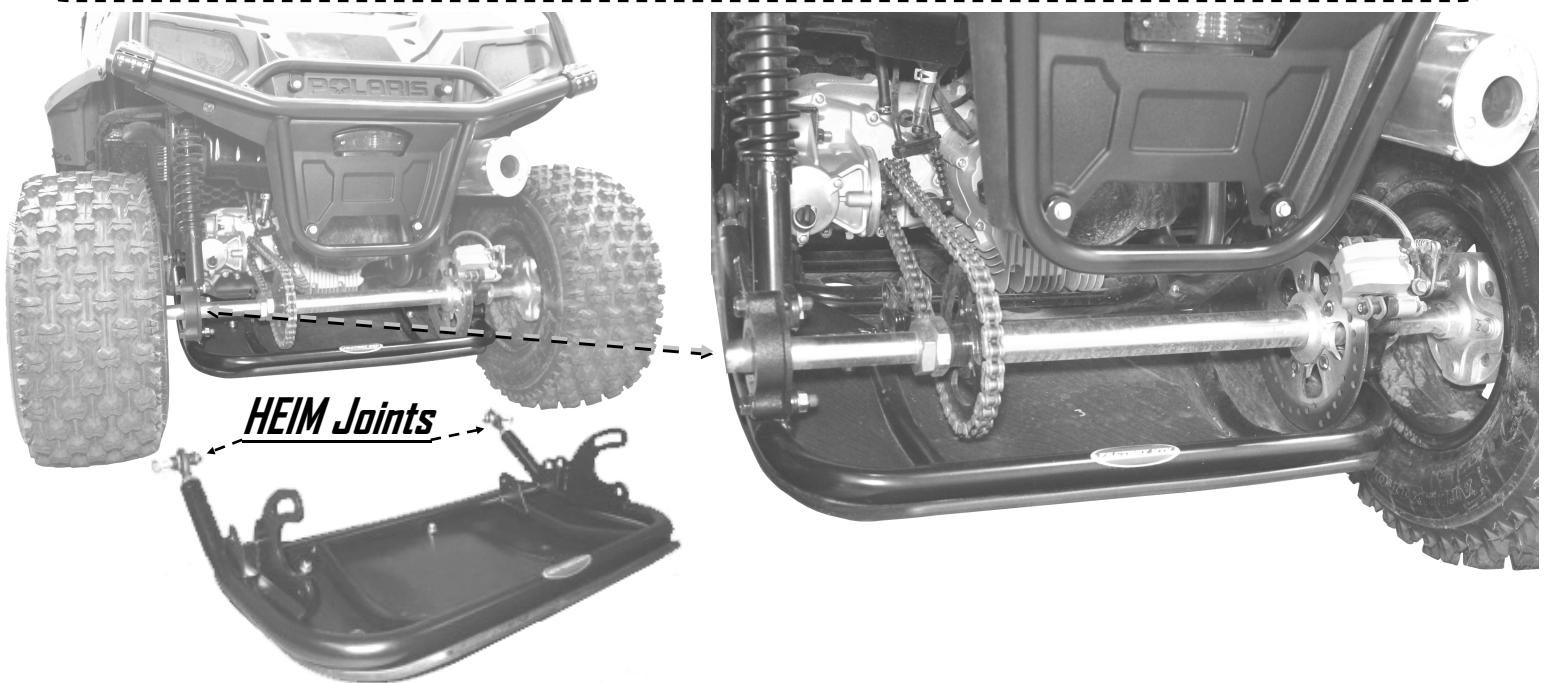


Polaris RZR 170 (2012-2018+) Replacement Swingarm

Swingarm Installation guide

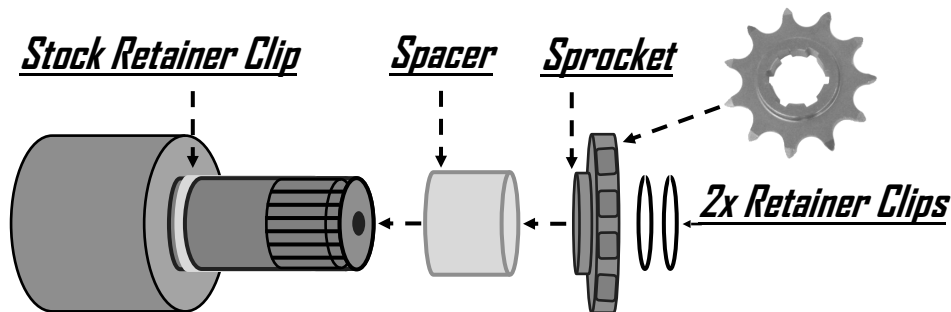
- 1.) Remove stock swing arm, re-use HEIM joint bolts, axel hub bolts, and chain tensioner.
- 2.) Remove stock chain tensioner and reinstall when complete.
- 3.) Raise the 170 body, do not adjust HEIM joints, mount in stock locations.
let swing arm drop naturally, with gravity tension, Do not force.
- 4.) Install Axle hub assembly to swing arm using stock bolts.
- 5.) Adjust chain to desired length, if chain is old or worn, add/remove a link as needed,
*if using 11 tooth sprocket, remove 1 link to compensate for difference in stock 12 tooth sprocket.
- 6.) Ensure all bolts are fastened securely, re-install stock chain tensioner before use.

Note :
This kit requires the
Re-use of stock hardware
Remove Stock swing arm.
Remove and re-install
chain tensioner when
complete.

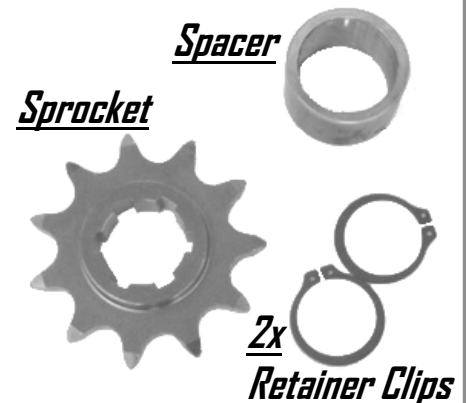


11 Tooth RZR 170 Sprocket Installation Guide

- 1.) Remove stock sprocket, Ensuring stock retainer clip is in place.
 - 2.) Install spacer and sprocket, with sprocket lip facing spindle.
 - 3.) Install 2x retaining clips behind sprocket, ensure retaining clip is secure.
- May need to remove 1 link from chain to accommodate 11 tooth sprocket, as needed.*



11 Tooth Sprocket Hardware



Polaris RZR 170 (2012-2018+) Other Accessories

Check out our other RZR 170 Accessories online at

www.Factoryutv.net

5pt Restraint systems, harness bars, full cage and intrusion bar kits,
steel bumper w/ UHMW bash plate, full fixed high density doors,
swing arm replacement kits, wheel adapters, 11 tooth sprockets

and more...

