



## STERILE CAPSULE FILTER

These filters are designed for applications where sterility of the affluent is mandatory (Sterile Compounding and Pharmaceutical use). The product contains a pharmaceutical grade PES membrane (Sterilizing Grade) and the filters are built in a 10,000-class clean room, flushed, dried and 100% integrity tested prior to packaging. The product is factory sterilized by Ethylene Oxide gas (ETO) ensuring sterility.

## Technical Data Sheet

**Catalog Number: SKLDS065S020H2H2H-PH-ETO & SKLDS065S020HLF2H-PH-ETO  
& SKLDS065S020HLFLM-PH-ETO**



2H2H Fitting Configuration



LF2H Fitting Configuration



LFLM Fitting Configuration

### Materials of Construction

**Filter Membrane:** 0.65 um PES Pre-filter / 0.2 um final Pharmaceutical Grade PES Sterilizing Grade - Hydrophilic

**Supports:** Polypropylene

**Core:** Polypropylene

**Capsule Body:** Polypropylene

### Filter Dimensions and Specifications

**Outer Diameter:** 71.5 mm (2.81")

**Length, Fitting to Fitting:** 115 mm (4.52") (2H2H)/ 102 mm (4.01") (LF2H)

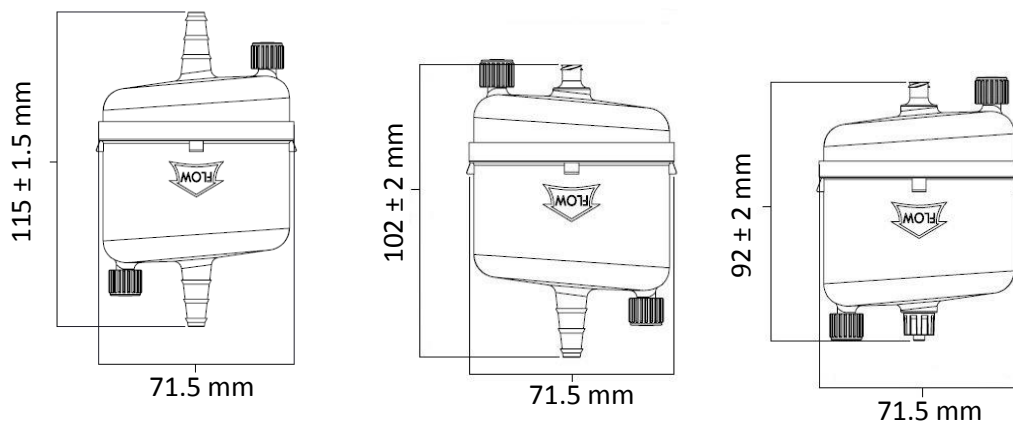
**Filter Area:** 680 cm<sup>2</sup> (105.4 in<sup>2</sup>)

**Sterilization:** The filter is factory sterilized by Ethylene Oxide Gas (ETO)

**Inlet Fitting:** 2H2H: ¼" - ½" Tapered Hose Barb; LF2H: - Luer Loc Female

**Outlet Fitting:** ¼" - ½" Tapered Hose Barb

**Volume Filtered:** 13 L to 28.6 L



### **Integrity Data**

<b>Pore Size</b>	<b>Min, Bubble Point, 25°C</b>	<b>Challenge Microorganisms</b>	<b>CFU per cm<sup>2</sup></b>
0.20 µm	≥3.5 bar (50 psi)	Brevundimonas Diminuta (ATCC 19146)	7

### **Operating Parameters**

Maximum Working Pressure: 5.5 bar (80 Psi) @ 25 °C (77 °F)

Maximum differential Pressure (forward): 4.1 bar (60 Psi) @ 25 °C (77 °F)

Maximum differential Pressure (reverse): 2.1 bar (30 Psi) @ 25 °C (77 °F)

Maximum Operating Temperature: 80 °C (176 °F)

Recommended Replacement Pressure: 2.4 bar (35.3 Psi)

### **Safety**

UPS Bacteria Endotoxins: ≤25 EU/ml

Factory Sterilized: Ethylene Oxide Gas (ETO)

Product was 100% Integrity Tested and flushed with filtered water @ 0.05 µm

### **Regulatory**

Complies with USP 797 Guidelines

ASTM F838-05 - Bacterial Retention

FDA 21 CFR 177.1655

USP Class VI - Biological Reactivity

ISO 10993-Part 1.5 - Cytotoxicity

ISO 14001; ISO 13485; OHSMS 18001 Certified.

ASTM Hemolysis testing