



D90 Depth Polypropylene Filter Capsules

PureFlo® D90R Filter Capsules (90mm diameter) have been designed for simple, quick, and efficient filtration of fluids and gases used in laboratory, pilot, and small-scale applications. The family of products is particularly suitable for scale up testing. The all-polypropylene construction for excellent chemical compatibility.

Application

Lab Scale Testing

Fine Chemicals

Ink

SVP (Small Volume Parenteral)

Bio Bags

Pharmaceuticals

Water

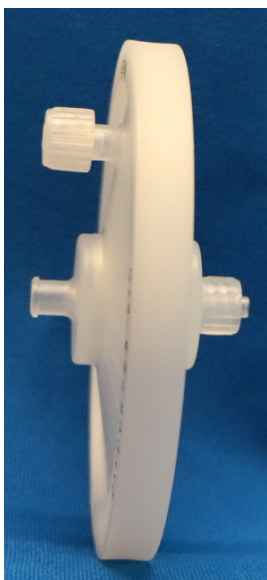
Biologics

Antibiotics

Scale up processing

Water

Serums



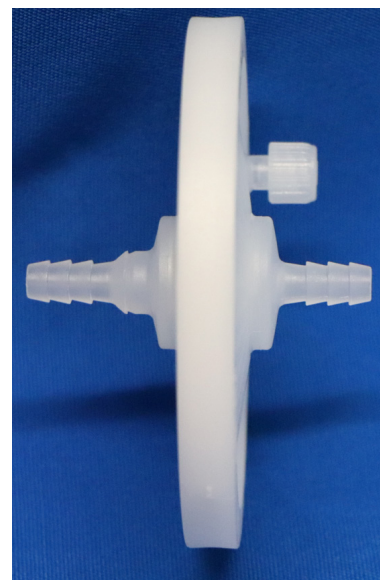
D90RDP045LFLM

D90DP Disc Filter with
Luer Loc Female Inlet and
Luer Loc Male Outlet



D90RDP045LFLF

D65DP Disc Filter with
Luer Loc Female Inlet and
Outlet



D90RDP0452H2H

D90DP Disc Filter with ¼"
Hose Barb Inlet and
Outlet



Technical Data Sheet

Popular Configuration:

Catalog Number	Effective Filtration Area	Inlet Connection	Outlet Connection
D90RDP045LFLM	60 cm ²	Luer Loc Female	Luer Loc Male
D90RDP045LFLF	60 cm ²	Luer Loc Female	Luer Loc Female
D90RDP0452H2H	60 cm ²	¼" Hose Barb	¼" Hose Barb
❖ Find the complete list of available standard inlet and outlet fittings in page 4.			

Micron Rating:

Final Media: 4.5 µm Depth Polypropylene

Effective Filtration Area:

9.3 in² (60 cm²)

Materials of Construction

Media: Depth Polypropylene

Media Supports: Polypropylene

Cage, Core, End Caps: Polypropylene

Sealing: Thermally Welded

Filter Integrity:

The finished product was sampled and shown to exhibit a minimum bubble point (at 22°C) of 50 psi (3.5 bar) in water.

Operating Conditions:

Maximum Forward Differential Pressure: Liquid: 5.5 bar (80psi) at 77°F/25°C

Gas: 4.1 bar (60psi) at 77°F/25°C

Minimum Burst Pressure: 8.3 bar (120psi) at 77°F/25°C

Maximum Forward Differential Pressure: 5 bar (72psi) at 68°F/20°C

Maximum Reverse Differential Pressure: 3.0 bar (44psi) at 68°F/20°C

Maximum Operating Temperature: 176°F/80°C

Regulatory Compliance:

The filters are constructed with polypropylene resins and filtration media in compliance with 21CFR Part 177 of the US Code of Federal Regulations and USP Class VI Biological Test for Plastic.

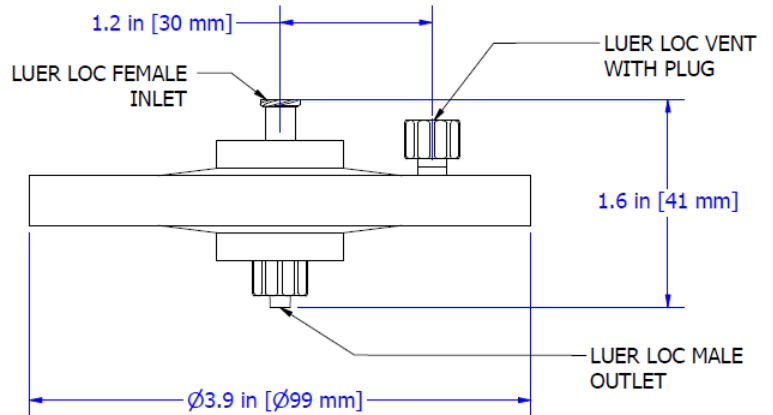




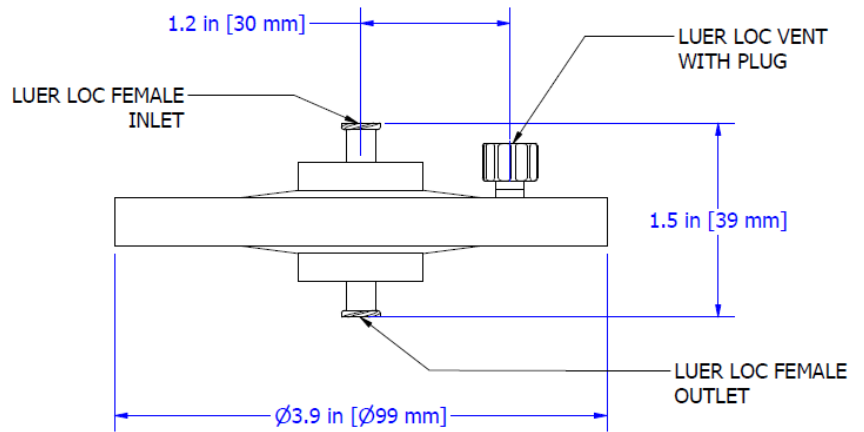
International Filter Products

Revolutionary systems for your industry

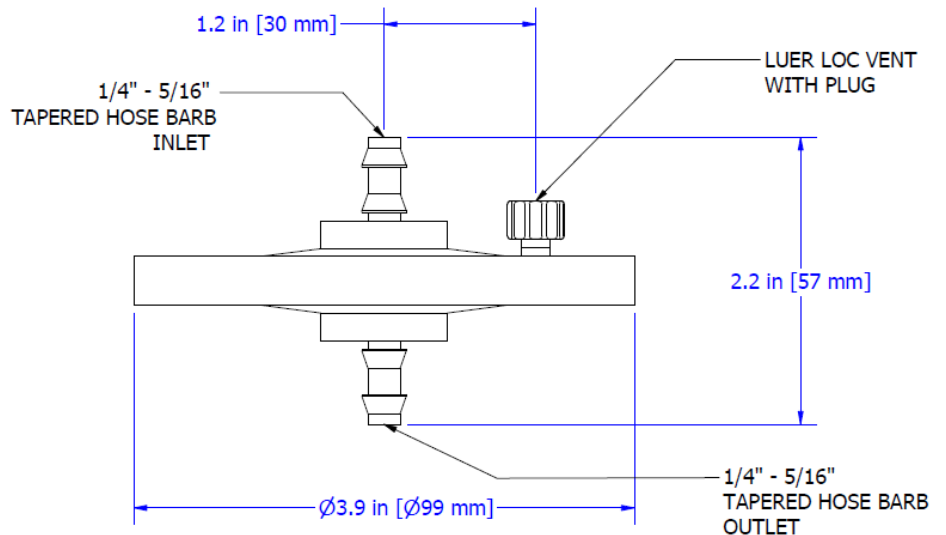
Part Number: D90RDP045LFLM



Part Number: D90RDP045LFLF



Part Number: D90RDP0452H2H





Sterilization:

The filters can be sterilized by autoclaving for 10 cycles at 257°F/125°C for 30 minutes.

Warning: The filters cannot be sterilized by steam-in-place (SIP)

Shelf Life:

The D90RDP Disc have a shelf life of 3 years from the date of manufacture.

D90R- PureFlo® Depth Polypropylene Disc filter

Ordering Guide



[1]	[2] Inlet and [3] Outlet	[4]
Micron Rating [Pre-Filter/Final Filter]	Inlet and Outlet Connection	Optional Feature
<ul style="list-style-type: none"> 002 : 0.2 µm 005 : 0.5 µm 010 : 1.0 µm 015 : 1.5 µm 025 : 2.5 µm 045 : 4.5 µm 100 : 10.0 µm 200 : 20.0 µm 	<ul style="list-style-type: none"> 1H : 1/8" Hose Barb 2H : 1/4" Hose Barb 3H : 3/8" Hose Barb LF : Female Luer Lock LM : Male Luer Lock MT : 1/2" Tri-Clamp TC : 1 1/2" Tri-Clamp 	<p>-ETO</p> <p>Ethylene Oxide Sterilization (Optional)</p>

Example:

D90RDP045LFLF

PureFlo D90R Series 90mm Disc, Depth PP Media 4.5µm Final Filter, Filtration Area 60 cm², Luer Loc Female Inlet/Outlet.





Part Number

Description

Special Configuration:

Micron Rating Option:

- 0.04 Micron
- 0.1 Micron
- 0.2 Micron
- 0.5 Micron
- 0.65 Micron
- 0.8 Micron
- 1.2 Micron

Inlet Fitting Option:

- 1H = 1/8" Hose Barb
- 1Q = 1/8" Male Quick Coupling with Metal Latch
- 2H = 1/4" Hose Barbs
- 2HS = 1/4" to 3/8 " Hose Barb
- 2Q = 1/4" Male Quick Coupling for Metal Latch
- 3H = 3/8" Hose Barb
- 4H = 1/2" Hose Barb
- 4Q = 1/2" Male Quick Coupling for Plastic latch
- 5H = 5/8" Hose Barb
- MT = 1/2" Tri clamps
- TC = 1-1/2" Tri clamp

Outlet Fitting Option:

- 1H = 1/8" Hose Barb
- 1Q = 1/8" Male Quick Coupling with Metal Latch
- 2H = 1/4" Hose Barbs
- 2HS = 1/4" to 3/8 " Hose Barb
- 2Q = 1/4" Male Quick Coupling for Metal Latch
- 3H = 3/8" Hose Barb
- 4H = 1/2" Hose Barb
- 4Q = 1/2" Male Quick Coupling for Plastic latch
- 5H = 5/8" Hose Barb
- MT = 1/2" Tri clamps
- TC = 1-1/2" Tri clamp

