



International Filter Products

Revolutionary systems for your industry

D65R Series Depth Polypropylene Filter Capsules

PureFlo® D65R Filter Capsules (65mm diameter) have been designed for simple, quick, and efficient filtration of fluids and gases used in laboratory, pilot, and small-scale applications. The family of products is particularly suitable for scale up testing. The discs are designed for prefiltration, clarification, and final filtration. The all-polypropylene construction for excellent chemical compatibility.

Application

SVP (Small Volume Parenteral)

Fine Chemicals

Ink

Clarification

Cell Removal

Pharmaceuticals

Vaccines

Biologics

Antibiotics

Scale up processing

Water

Serums





International Filter Products

Revolutionary systems for your industry

Technical Data Sheet

Popular Configuration:

Catalog Number	Effective Filtration Area	Inlet Connection	Outlet Connection
D65RDP0102H2H	26 cm ²	¼" Hose Barb	¼" Hose Barb
D65RDP010LFLF	26 cm ²	Luer Loc Female	Luer Loc Female
D65RDP010LFLM	26 cm ²	Luer Loc Female	Luer Loc Male
❖ Find the complete list of available standard inlet and outlet fittings in page 4.			

Micron Rating:

Final Media: 1.0 µm Depth Polypropylene

Effective Filtration Area:

4 in² (26 cm²)

Materials of Construction:

Media: Depth Polypropylene

Media Supports: Polypropylene

Shell: Polypropylene

Sealing: Thermally Bonded

Operating Conditions:

Maximum Forward Differential Pressure: Liquid: 5.5 bar (80psi) at 77°F/25°C

Gas: 4.1 bar (60psi) at 77°F/25°C

Minimum Burst Pressure: 8.3 bar (120psi) at 77°F/25°C

Maximum Forward Differential Pressure: 5 bar (72psi) at 68°F/20°C

Maximum Reverse Differential Pressure: 3.0 bar (44psi) at 68°F/20°C

Maximum Operating Temperature: 176°F/80°C

Regulatory Compliance:

The filters are constructed with polypropylene resins and filtration media in compliance with 21CFR Part 177 of the US Code of Federal Regulations and USP Class VI Biological Test for Plastic.

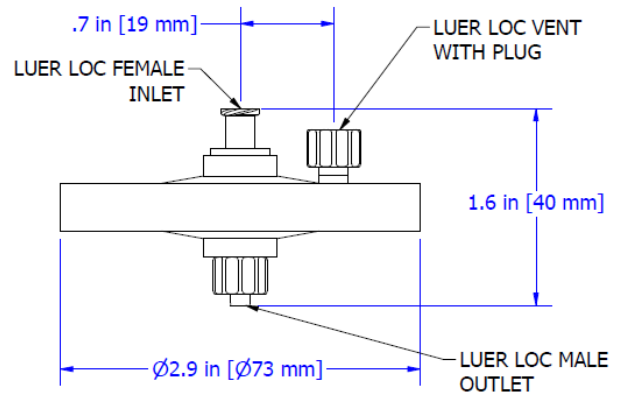


International Filter Products

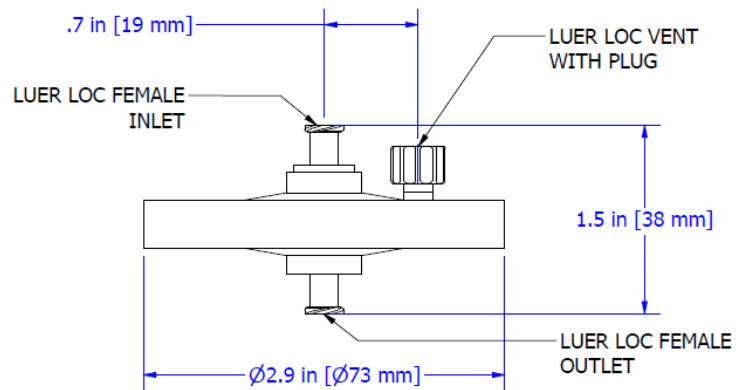
Revolutionary systems for your industry

Nominal Dimension:

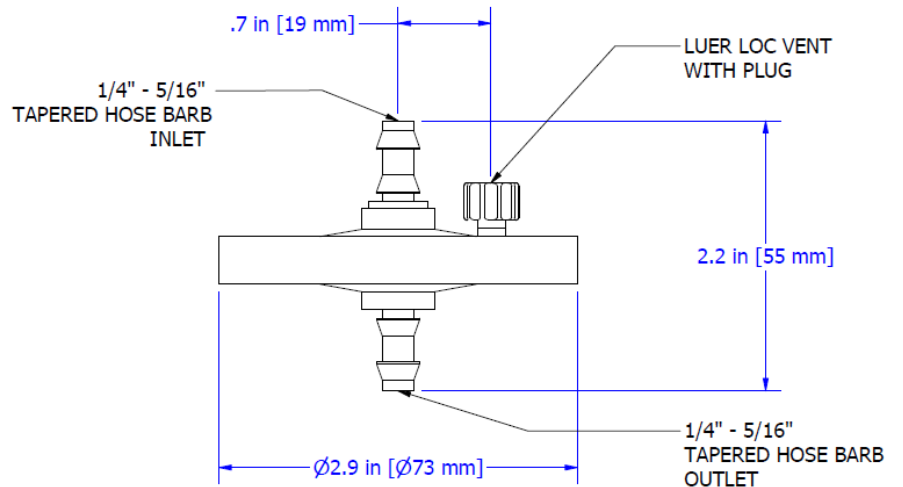
Part Number: D65RDP010LFLM



Part Number: D65RDP010LFLF



Part Number: D65RDP0102H2H





International Filter Products

Revolutionary systems for your industry

Sterilization:

The filters can be sterilized by autoclaving for 10 cycles at 257°F/125°C for 30 minutes.

Warning: The filters cannot be sterilized by steam-in-place (SIP)

Shelf Life:

The D65R disc filters have a shelf life of 3 years from the date of manufacture.

D65R- PureFlo® Depth Polypropylene Disc filter

Ordering Guide



[1]	[2] Inlet and [3] Outlet	[4]
Micron Rating [Pre-Filter/Final Filter]	Inlet and Outlet Connection	Optional Feature
<ul style="list-style-type: none"> 002 : 0.2 µm 005 : 0.5 µm 010 : 1.0 µm 015 : 1.5 µm 025 : 2.5 µm 045 : 4.5 µm 100 : 10.0 µm 200 : 20.0 µm 	<ul style="list-style-type: none"> 1H : 1/8" Hose Barb 2H : 1/4" Hose Barb 3H : 3/8" Hose Barb LF : Female Luer Lock LM : Male Luer Lock MT : 1/2" Tri-Clamp TC : 1 1/2" Tri-Clamp 	<p>-ETO</p> <p>Ethylene Oxide Sterilization (Optional)</p>



International Filter Products

Revolutionary systems for your industry

Example:

D65RDP010LFLF

PureFlo D65R Series 65mm Disc, Depth PP Media 1.0µm Final Filter, Filtration Area 26 cm², Luer Loc Female Inlet/Outlet.

Part Number

Description

Special Configuration:

Micron Rating Option:

- 0.2 µm
- 0.5 µm
- 1.0 µm
- 1.5 µm
- 2.5 µm
- 4.5 µm
- 10 µm
- 20 µm

Inlet Fitting Option:

- 1H = 1/8" Hose Barb
- 1Q = 1/8" Male Quick Coupling with Metal Latch
- 2H = 1/4" Hose Barbs
- 2HS = 1/4" to 3/8 " Hose Barb
- 2Q = 1/4" Male Quick Coupling for Metal Latch
- 3H = 3/8" Hose Barb
- 4H = 1/2" Hose Barb
- 4Q = 1/2" Male Quick Coupling for Plastic latch
- 5H = 5/8" Hose Barb
- MT = 1/2" Tri clamps
- TC = 1-1/2" Tri clamp

Outlet Fitting Option:

- 1H = 1/8" Hose Barb
- 1Q = 1/8" Male Quick Coupling with Metal Latch
- 2H = 1/4" Hose Barbs
- 2HS = 1/4" to 3/8 " Hose Barb
- 2Q = 1/4" Male Quick Coupling for Metal Latch
- 3H = 3/8" Hose Barb
- 4H = 1/2" Hose Barb
- 4Q = 1/2" Male Quick Coupling for Plastic latch
- 5H = 5/8" Hose Barb
- MT = 1/2" Tri clamps
- TC = 1-1/2" Tri clamp

