



## D90 Depth Polypropylene Filter Capsules

PureFlo® D90R Filter Capsules (90mm diameter) have been designed for simple, quick, and efficient filtration of fluids and gases used in laboratory, pilot, and small-scale applications. The family of products is particularly suitable for scale up testing. The all-polypropylene construction for excellent chemical compatibility.

### Application

Lab Scale Testing

Fine Chemicals

Ink

SVP (Small Volume Parenteral)

Bio Bags

Pharmaceuticals

Water

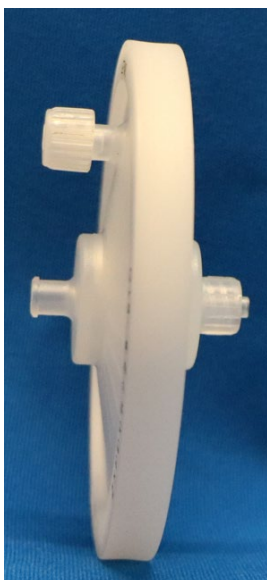
Biologics

Antibiotics

Scale up processing

Water

Serums



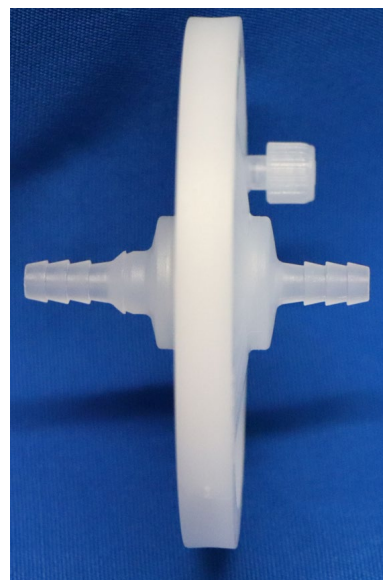
**D90RDP005LFLM**

D90DP Disc Filter with Luer Loc Female Inlet and Luer Loc Male Outlet



**D90RDP005LFLF**

D65DP Disc Filter with Luer Loc Female Inlet and Outlet



**D90RDP0052H2H**

D90DP Disc Filter with 1/4" Hose Barb Inlet and Outlet



## Technical Data Sheet

### Popular Configuration:

Catalog Number	Effective Filtration Area	Inlet Connection	Outlet Connection
D90RDP005LFLM	60 cm <sup>2</sup>	Luer Loc Female	Luer Loc Male
D90RDP005LFLF	60 cm <sup>2</sup>	Luer Loc Female	Luer Loc Female
D90RDP0052H2H	60 cm <sup>2</sup>	¼" Hose Barb	¼" Hose Barb
❖ Find the complete list of available standard inlet and outlet fittings in page 4.			

### Micron Rating:

**Final Media:** 0.5 µm Depth Polypropylene

### Effective Filtration Area:

9.3 in<sup>2</sup> (60 cm<sup>2</sup>)

### Materials of Construction

Media: Depth Polypropylene

Media Supports: Polypropylene

Cage, Core, End Caps: Polypropylene

Sealing: Thermally Welded

### Filter Integrity:

The finished product was sampled and shown to exhibit a minimum bubble point ( at 22°C ) of 50 psi (3.5 bar) in water.

### Operating Conditions:

Maximum Forward Differential Pressure: Liquid: 5.5 bar (80psi) at 77°F/25°C

Gas: 4.1 bar (60psi) at 77°F/25°C

Minimum Burst Pressure: 8.3 bar (120psi) at 77°F/25°C

Maximum Forward Differential Pressure: 5 bar (72psi) at 68°F/20°C

Maximum Reverse Differential Pressure: 3.0 bar (44psi) at 68°F/20°C

Maximum Operating Temperature: 176°F/80°C

### Regulatory Compliance:

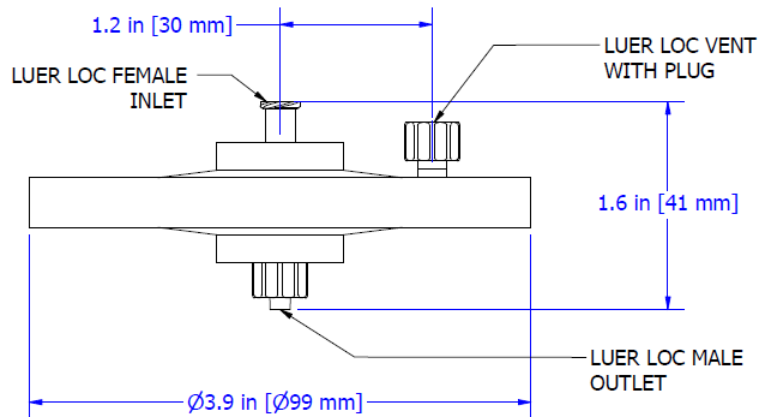
The filters are constructed with polypropylene resins and filtration media in compliance with 21CFR Part 177 of the US Code of Federal Regulations and USP Class VI Biological Test for Plastic.



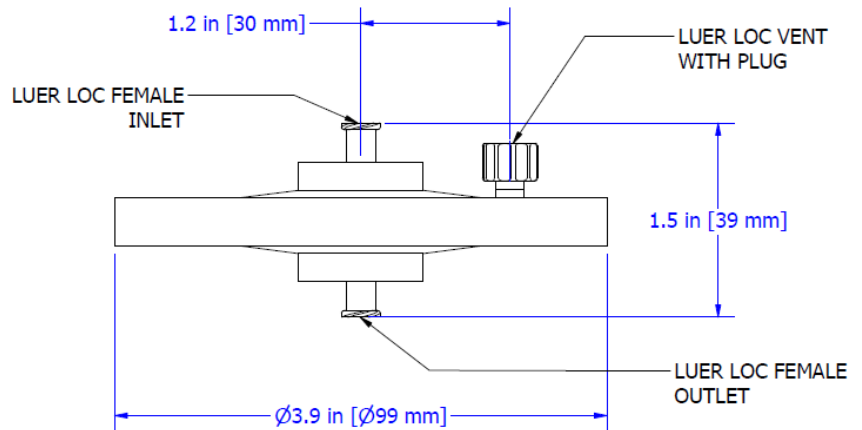
# International Filter Products

Revolutionary systems for your industry

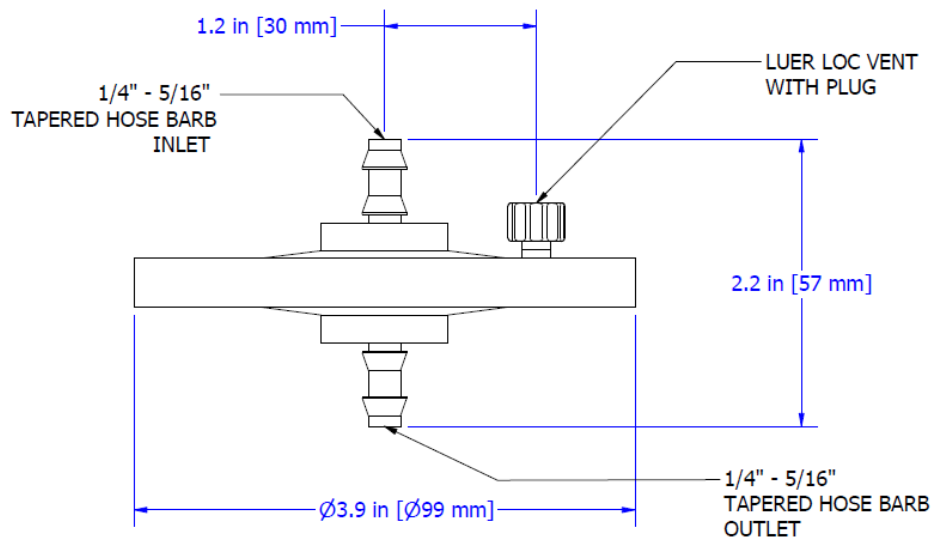
Part Number: D90RDP005LFLM



Part Number: D90RDP005LFLF



Part Number: D90RDP0052H2H





### Sterilization:

The filters can be sterilized by autoclaving for 10 cycles at 257°F/125°C for 30 minutes.

*Warning:* The filters cannot be sterilized by steam-in-place (SIP)

### Shelf Life:

The D90RDP Disc have a shelf life of 3 years from the date of manufacture.

## D90R- PureFlo® Depth Polypropylene Disc filter

### Ordering Guide



[1]	[2] Inlet and [3] Outlet	[4]
Micron Rating [Pre-Filter/Final Filter]	Inlet and Outlet Connection	Optional Feature
<ul style="list-style-type: none"> <li>002 : 0.2 µm</li> <li>005 : 0.5 µm</li> <li>010 : 1.0 µm</li> <li>015 : 1.5 µm</li> <li>025 : 2.5 µm</li> <li>045 : 4.5 µm</li> <li>100 : 10.0 µm</li> <li>200 : 20.0 µm</li> </ul>	<ul style="list-style-type: none"> <li>1H : 1/8" Hose Barb</li> <li>2H : 1/4" Hose Barb</li> <li>3H : 3/8" Hose Barb</li> <li>LF : Female Luer Lock</li> <li>LM : Male Luer Lock</li> <li>MT : 1/2" Tri-Clamp</li> <li>TC : 1 1/2" Tri-Clamp</li> </ul>	<p>-ETO</p> <p>Ethylene Oxide Sterilization (Optional)</p>

### Example:

**D90RDP005LFLF**

PureFlo D90R Series 90mm Disc, Depth PP Media 0.5µm Final Filter, Filtration Area 60 cm<sup>2</sup>, Luer Loc Female Inlet/Outlet.



Part Number

Description

## Special Configuration:

### Micron Rating Option:

- 0.04 Micron
- 0.1 Micron
- 0.2 Micron
- 0.5 Micron
- 0.65 Micron
- 0.8 Micron
- 1.2 Micron

### Inlet Fitting Option:

- 1H = 1/8" Hose Barb
- 1Q = 1/8" Male Quick Coupling with Metal Latch
- 2H = 1/4" Hose Barbs
- 2HS = 1/4" to 3/8" Hose Barb
- 2Q = 1/4" Male Quick Coupling for Metal Latch
- 3H = 3/8" Hose Barb
- 4H = 1/2" Hose Barb
- 4Q = 1/2" Male Quick Coupling for Plastic latch
- 5H = 5/8" Hose Barb
- MT = 1/2" Tri clamps
- TC = 1-1/2" Tri clamp

### Outlet Fitting Option:

- 1H = 1/8" Hose Barb
- 1Q = 1/8" Male Quick Coupling with Metal Latch
- 2H = 1/4" Hose Barbs
- 2HS = 1/4" to 3/8" Hose Barb
- 2Q = 1/4" Male Quick Coupling for Metal Latch
- 3H = 3/8" Hose Barb
- 4H = 1/2" Hose Barb
- 4Q = 1/2" Male Quick Coupling for Plastic latch
- 5H = 5/8" Hose Barb
- MT = 1/2" Tri clamps
- TC = 1-1/2" Tri clamp



PROUD MEMBER

Alliance for  
Pharmacy  
Compounding



IACP  
CORPORATE PARTNER