

4

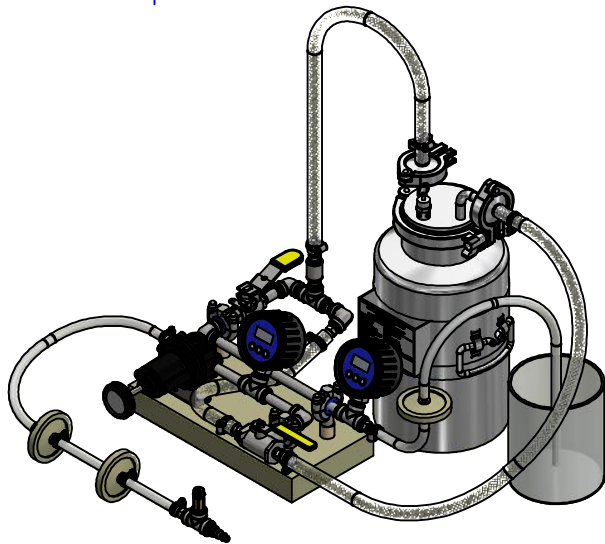
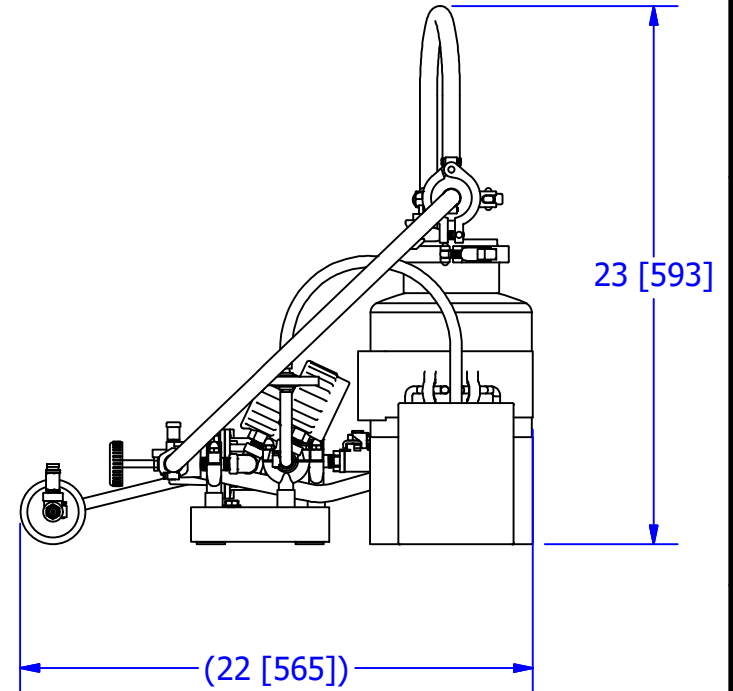
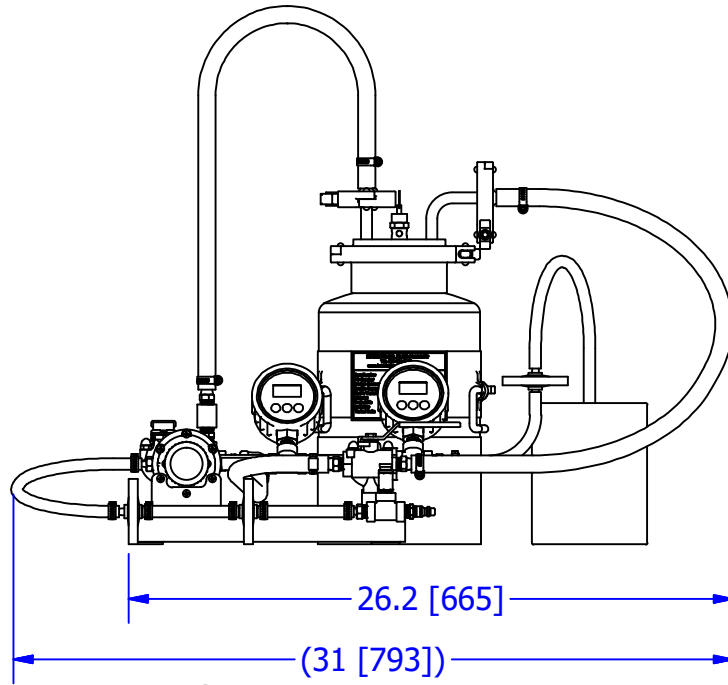
3

2

1

THIS DOCUMENT IS FOR REFERENCE ONLY AND IS PROPRIETARY INFORMATION BELONGING TO INTERNATIONAL FILTER PRODUCTS UNAUTHORIZED COPIES OR USE FOR OTHER PURPOSES STRICTLY PROHIBITED.

REVISIONS				
ZONE	REV	DESCRIPTION	DATE	APPROVED
	-	Production Release	4/16/2020	CD Morland



DRAWN YA Zanki CHECKED OS Ahmad APPROVED CD Morland	4/16/2020 4/16/2020 4/16/2020	International Filter Products 7914 Ajay Dr. Sun Valley, CA 91352 PHONE: 818-504-8115 FAX: 818-941-2947 email: www.internationalfilterproducts.com	TITLE BUBBLE POINT TEST STAND 5L
UNLESS OTHERWISE SPECIFIED DIMENSIONS ARE IN INCHES DECIMALS FRACTIONS +/- 1/16 X +/- .030 ANGLES +/- 1/2 XX +/- .015 SURFACE ROUGHNESS 125 XXX +/- .005 CONCENTRICITIES .010 (FIM) INTERNAL RADII .015~.030 BREAK CORNERS .005~.015		SIZE A	ISOF NO DWG NO IFP-161-0050
SCALE	NA	WEIGHT	39.765 lbmass
SHEET		1 OF 2	

4

3

2

1

D

D

C

C

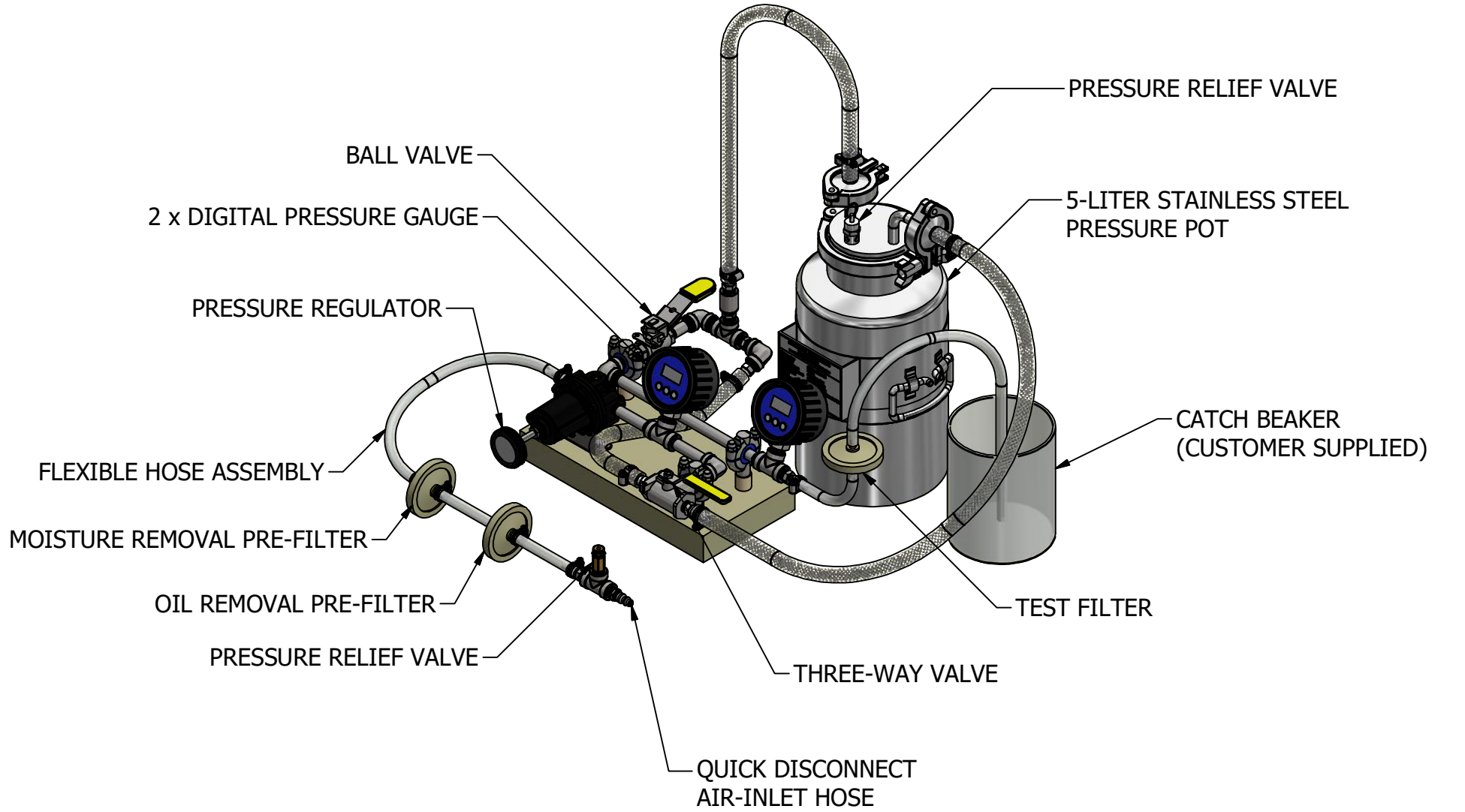
B

B

A

A

THIS DOCUMENT IS FOR REFERENCE ONLY AND IS PROPRIETARY INFORMATION BELONGING TO INTERNATIONAL FILTER PRODUCTS UNAUTHORIZED COPIES OR USE FOR OTHER PURPOSES STRICTLY PROHIBITED.



DRAWN YA Zanki	4/16/2020
CHECKED OS Ahmad	4/16/2020
APPROVED CD Morland	4/16/2020

International Filter Products
 7914 Ajay Dr. PHONE: 818-504-8115
 Sun Valley, CA 91352 FAX: 818-941-2947
 email: www.internationalfilterproducts.com

UNLESS OTHERWISE SPECIFIED
 DIMENSIONS ARE IN INCHES
 DECIMALS FRACTIONS +/- 1/16
 X +/- .030 ANGLES +/- 1/2
 XX +/- .015 SURFACE ROUGHNESS 125
 XXX +/- .005
 CONCENTRICITIES .010 (FIM)
 INTERNAL RADII .015~.030
 BREAK CORNERS .005~.015

TITLE BUBBLE POINT TEST STAND 5L			
SIZE A	ISOF NO	DWG NO IFP-161-0050	REV -
SCALE NA	WEIGHT 39.765 lbmass	SHEET 2 OF 2	