



International Filter Products

Revolutionary systems for your industry

SZV Series PES – Dual Layer Filter Capsules

SZV-Series PES capsules are gamma-irradiatable, easy-to-use filtration units, ideally suited for integration into single-use sterile assemblies. The hydrophilic, asymmetric Polyethersulfone (PES) membrane demonstrates exceptional throughput capacity and flow performance in liquid applications. The materials and design were carefully selected to ensure quick and reliable pre- and post-use integrity testing in critical biopharmaceutical applications. The filter capsules are available in a complete spectrum of sizes to simplify scale-up throughout each stage of the drug development process.

Application

- Buffers and Media
- Final Drug Product
- Vaccines
- Scale up processing
- Product Sterilization
- Bio Bags
- Biologics
- Ultra-Pure Water
- Ophthalmic
- Pharmaceuticals
- Antibiotics
- Serums

Part Number: SZVXS020HTCTC



SZV Series Capsule
with 1.5" Tri-Clamp Inlet
and Outlet Connection





International Filter Products

Revolutionary systems for your industry

Technical Data Sheet

Popular Configuration:

Catalog Number	Micron Rating	Inlet Connection	Outlet Connection	Vent Connection	Gamma Sterilization
SZVXS020HTCTC	0.65 µm / 0.2 µm (Dual Layer)	1.5" Tri-Clamp	1.5" Tri-Clamp	Bleed Valve with 1/8" Hose Barb	up to 50kGy
❖ Find the complete list of available standard inlet and outlet fittings in page 5.					

Micron Rating:

Final Media: 0.2 µm PES [Sterilizing Grade Membrane]

Pre-Filter: Highly Asymmetric 0.65 µm PES

Effective Filtration Area:

H-Size; 0.77 ft² (720 cm²)

Materials of Construction:

Membrane: Pharmaceutical Grade PES (Polyethersulfone) Sterilizing Grade

Membrane Feature: Hydrophilic, Low Protein Binding, High Flow Rate

Media Supports: Polyester (PET)

Shell: Gamma Stable Polypropylene

Cage, Core, End Caps: Nylon

Valve O-Rings: Silicon (Standard)

Sealing: Thermally Bonded

Operating Conditions:

Maximum Forward Differential Pressure: **Liquid:** 5.5 bar (80psi) at 77°F/25°C

Gas: 4.1 bar (60psi) at 77°F/25°C

Minimum Burst Pressure: 8.3 bar (120psi) at 77°F/25°C

Maximum Reverse Differential Pressure: 3.0 bar (44psi) at 68°F/20°C

Maximum Operating Temperature: 176°F/80°C

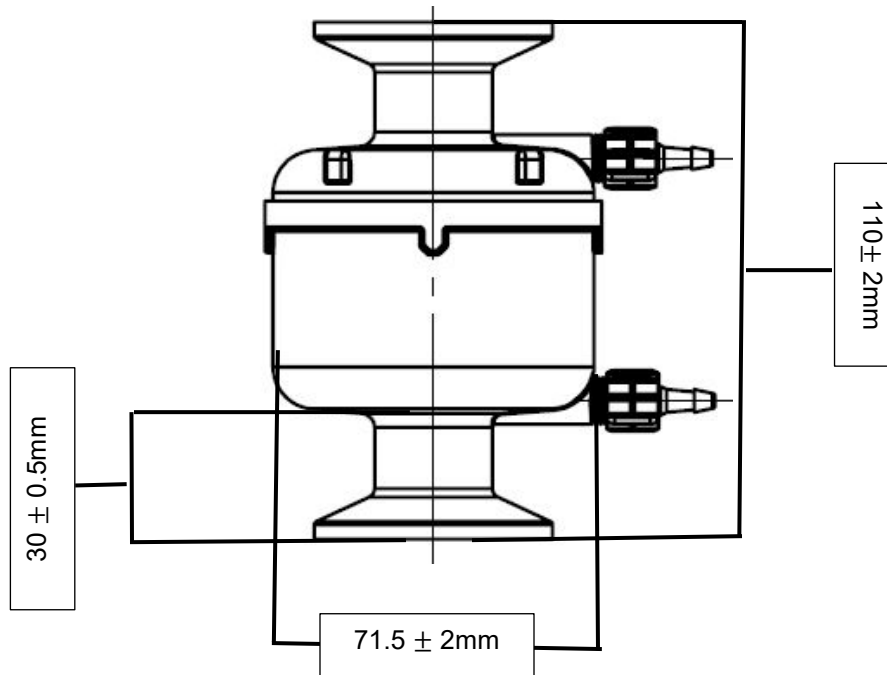


International Filter Products

Revolutionary systems for your industry

Nominal Dimension:

Part Number: SZVXS020HTCTC



Hold-Up Volume (Approx.):

Upstream Volume: 85 ml

Downstream Volume: 22 ml

Typical Filtered Volume:

18.0L – 40.0L

Filter Integrity:

The finished product was sampled and shown to exhibit a minimum bubble point of ≥ 18 psi (1.2 bar) in 60%IPA / 40% water and ≥ 50 psi (3.5 bar) in DI Water (at 22°C).

Sterilization:

Gamma Irradiation: The filters can be Gamma Sterilized up to 50kGy.

Autoclave: The filters can be autoclaved up to 10 cycles at 125°C (257°F) for 30 minutes.

Warning: The filters cannot be sterilized by steam-in-place (SIP)

Shelf Life:

The SZV capsules have a shelf life of 3 years from the date of manufacture.



International Filter Products

Revolutionary systems for your industry

Regulatory Compliance:

Category	Standard or Reference Test
Physiochemical	<ul style="list-style-type: none"> • USP Oxidizable Substances • USP <645> Conductivity • USP <643> Non-Volatile Residue • Total Organic Carbon (TOC) Analysis
Cleanliness	<ul style="list-style-type: none"> • USP <85> Bacterial Endotoxin Test • USP <788> Particulate Matter • 21 CFR 210.72 and 210.3 (b) (6) Fiber Shedding
Biocompatibility	<ul style="list-style-type: none"> • ASTM F756-17 Hemolysis • USP <88> (USP Class VI Plastics) Biological Reactivity Tests, In Vivo • USP <87> / ISO 10993-5, In Vitro Cytotoxicity • 21 CFR 177 FDA Indirect Food Additive
Bacterial Retention	Quantitative retention of 10^7 CFU/cm ² <i>Brevundimonas diminuta</i> per ASTM methodology
USP Bacterial Endotoxins	A representative sample from the lot is tested to confirm that an aqueous extraction of the product contains <0.25 EU/mL as determined by the Limulus Amebocyte Lysate (LAL) Test.
Animal-derived Components	No animal-derived material is intentionally added or used during the manufacture of PureFlo Z Series PES Capsules.
RoHS	Restriction of Hazardous Substances (RoHS 3) Directive 2015/863
REACH	REACH (Registration, Evaluation, Authorization and Restriction of Chemicals) Article 57, Regulation No. 1907/2006)
Traceability	<p>For traceability and easy identification:</p> <ul style="list-style-type: none"> • A Certificate of Conformance is provided with each capsule. • Each filter bag and box are labeled with the product part number, lot number, and identifying characteristics. • Each capsule is engraved and labeled with the product part number, lot number, and identifying characteristics.





International Filter Products

Revolutionary systems for your industry

SZV- PureFlo® Z Series PES Mid-Size Capsules

Ordering Guide



[1]	[2]	[3] Inlet and [4] Outlet	[5]	[6]
Micron Rating [Pre-Filter/Final Filter]	Filter Size Code [Filtration Area]	Inlet and Outlet Connection	Optional Feature	Optional Vent Configuration
<ul style="list-style-type: none"> • S010 : 0.1 µm • S020 : 0.2 µm • ZS010 : 0.2/0.1 µm • ZS020 : 0.45/0.2 µm • XS010 : 0.45/0.1 µm • XS020 : 0.65/0.2 µm <p>Note: All final membranes are sterilizing grade.</p>	<ul style="list-style-type: none"> • H [Filtration Area: 720 cm²] • S [Filtration Area: 1380 cm²] • L [Filtration Area: 2600 cm²] • E [Filtration Area: 3980 cm²] • K [Filtration Area: 5200 cm²] 	<ul style="list-style-type: none"> • 1H : 1/8" Hose Barb • 2H : 1/4" Hose Barb • 3H : 3/8" Hose Barb • 4H : 1/2" Hose Barb • 5H : 9/16" Hose Barb • MT : 1/2" Tri-Clamp • TC : 1 1/2" Tri-Clamp 	<p>-FC Filling Bell (2H or 3H only)</p>	<p>-NO No vent near outlet</p> <p>-NI No vent near inlet</p>

Example:

SZVXS020LTCTC

PureFlo SZV Series Capsule, Highly Asymmetric Dual Layer PES
0.65µm / 0.2µm PES membrane (Sterilizing Grade), 5.0", L-Size,
Filtration Area 2,600 cm², 1.5" Tri-Clamps (Inlet/Outlet)

Part Number

Description



International Filter Products

Revolutionary systems for your industry

Special Configuration:

Layer Option:

- Single Layer
- Dual Layer

Micron Rating Option:

- 0.1 μm
- 0.2 μm
- 0.2/0.1 μm
- 0.45/0.2 μm
- 0.45/0.1 μm
- 0.65/0.2 μm

Bleed Valve Seal Option:

- Silicone
- EPDM
- Nitrile
- Viton

Inlet Fitting Option:

- 1H = 1/8" Hose Barb
- 2H = 1/4" Hose Barbs
- 3H = 3/8" Hose Barb
- 4H = 1/2" Hose Barb
- 5H = 5/8" Hose Barb
- MT = 1/2" Tri clamps
- TC = 1-1/2" Tri clamp

Outlet Fitting Option:

- 1H = 1/8" Hose Barb
- 2H = 1/4" Hose Barbs
- 3H = 3/8" Hose Barb
- 4H = 1/2" Hose Barb
- 5H = 5/8" Hose Barb
- MT = 1/2" Tri clamps
- TC = 1-1/2" Tri clamp

