



International Filter Products

Revolutionary systems for your industry

SKV Series Dual Layer PES Filter Capsules

SKV Series Dual Layer PES filter capsule with all polypropylene construction provides excellent chemical compatibility and superior flow per unit area as compared to other membrane capsules. The PES filter capsules have been specially designed for biopharmaceutical applications. The filters come with pre layer configuration, which increases the filtration volume significantly. The hydrophilic PES membrane does not require pre-wetting agents, thereby eliminating a potential source of contamination. The PES membrane is a low protein binding media. The capsules were designed with built-in bleed valves for simple and efficient evacuation of air and liquid. The units are used for the filtration of small to medium volumes used in production, laboratory, and pilot runs. No adhesives, binders, or surfactants are used in the manufacturing process of these capsules. All filter capsules are 100% integrity tested to ensure filter performance.

Application

- Buffers and Media
- SVP (Small Volume Parenteral)
- Vaccines
- Scale up processing
- Pre-Sterilization
- Bio Bags
- Biologics
- Ultrapure Water
- Fermentation Broths
- Pharmaceuticals
- Antibiotics
- Serums

Part Number: SKVDS065S045S4H4H-ETO



SKV Series Capsule
with 1/2" Hose Barb Inlet
and Outlet Connection



Technical Data Sheet

Popular Configuration:

Catalog Number	Micron Rating	Inlet Connection	Outlet Connection	Vent Connection	Sterilization
SKVDS065S045S4H4H-ETO	0.65 µm / 0.45 µm (Dual Layer)	1/2" Hose Barb	1/2" Hose Barb	Bleed Valve with 1/8" Hose Barb	ETO Sterilized

❖ Find the complete list of available standard inlet and outlet fittings in page 5.

Micron Rating:

Final Media: 0.45 µm PES

Pre-Filter: Highly Asymmetric 0.65 µm PES

Effective Filtration Area:

S-Size; 1.4 ft² (1,380 cm²)

Materials of Construction:

Membrane: Pharmaceutical Grade PES (Polyethersulfone)

Membrane Feature: Hydrophilic, Low Protein Binding, High Flow Rate

Media Supports: Polypropylene

Shell, Cage, Core, End Caps: Polypropylene

Valve O-Rings: Silicon (Standard)

Sealing: Thermally Bonded

Operating Conditions:

Maximum Forward Differential Pressure: **Liquid:** 5.5 bar (80psi) at 77°F/25°C

Gas: 4.1 bar (60psi) at 77°F/25°C

Minimum Burst Pressure: 8.3 bar (120psi) at 77°F/25°C

Maximum Reverse Differential Pressure: 3.0 bar (44psi) at 68°F/20°C

Maximum Operating Temperature: 176°F/80°C

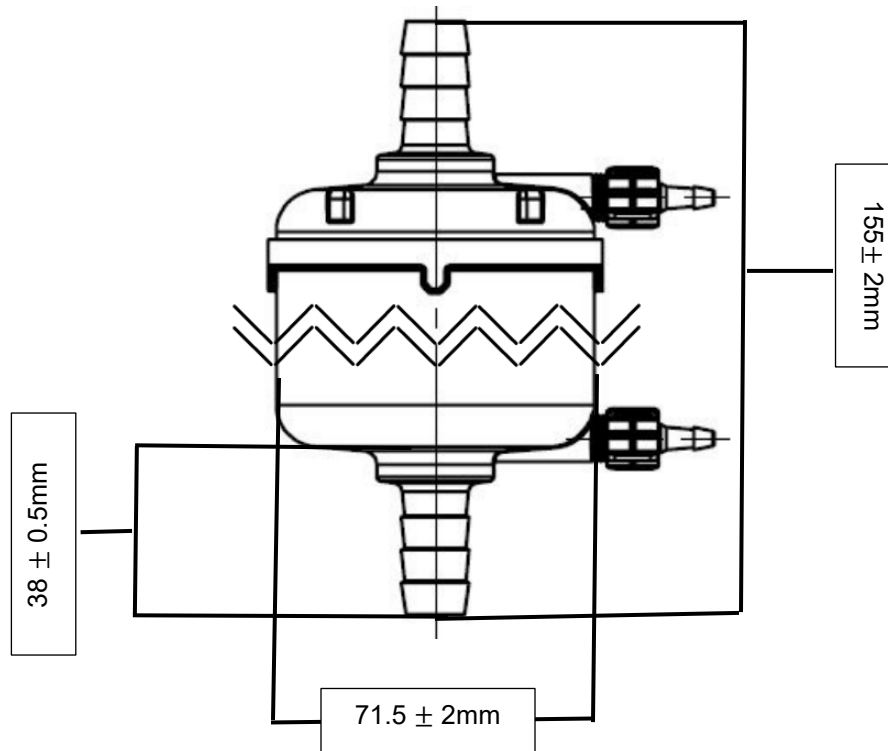


International Filter Products

Revolutionary systems for your industry

Nominal Dimension:

Part Number: SKVDS065S045S4H4H-ETO



Hold-Up Volume (Approx.):

Upstream Volume: 112 ml

Downstream Volume: 18 ml

Typical Filtered Volume:

50.0L – 125.0L

Filter Integrity:

The finished product was sampled and shown to exhibit a minimum bubble point of ≥ 35 psi (2.4bar) in DI Water (at 22°C).

Sterilization:

Capsules can be autoclaved 25 times at 125°C (257°F) for 30 minutes or chemically sanitized in situ using common sanitizing agents or hot water at 90°C (194°F) for a limited time (dependent on time and temperature).

Warning: The filters cannot be sterilized by steam-in-place (SIP)



International Filter Products

Revolutionary systems for your industry

Regulatory Compliance 21CFR Part 177 & USP <88>:

The filters are constructed with polypropylene resins and filtration media in compliance with 21CFR Part 177 of the US Code of Federal Regulations and USP Class VI Biological USP <88>Test for Plastic.

USP <85> Bacterial Endotoxins:

The filters were tested to confirm that an aqueous extraction of this product contains <0.25 EU/ml as determined by the Limulus Amebocyte Lysate (LAL) Test

USP <645> Conductivity USP:

Effluent is tested during the manufacturing process and shown to meet the requirements for USP Sterile Water for Injection for conductivity.

USP <87> / ISO 10993-5 Cytotoxicity:

Extract from this product is non-Cytotoxic

Hemolysis ASTM F756-17:

Extract from this product is non-Hemolytic

Human and Veterinarian Use:

The product is safe for Human and Veterinarian use. CGMP CFR part 210 & 211, additional requirement of 21 CFR part 600 and 21 CFR part 680 are applicable to the aseptic manufacturing process.

Animal-Derived Components & TSE/BSE Risk:

No animal-derived material is intentionally added or used during the manufacture of this product.

Shelf Life:

The SKV capsules have a shelf life of 3 years from the date of sterilization.





International Filter Products

Revolutionary systems for your industry

SKV - Series PES Mid-Size Capsules

(Pharmaceutical Grade)

Ordering Guide



[1]	[2]	[3] Inlet and [4] Outlet	[5]
Micron Rating [Pre-Filter/Final Filter]	Filter Size Code [Filtration Area]	Inlet and Outlet Connection	Sterilization
<ul style="list-style-type: none"> S045 : 0.45 µm DS065S045 : Highly Asymmetric 0.65/0.45 µm S080045 : 0.8/0.45 µm 	<ul style="list-style-type: none"> H [Filtration Area: 720 cm²] S [Filtration Area: 1380 cm²] L [Filtration Area: 2600 cm²] E [Filtration Area: 3980 cm²] K [Filtration Area: 5200 cm²] 	<ul style="list-style-type: none"> 1H : 1/8" Hose Barb 2H : 1/4" Hose Barb 3H : 3/8" Hose Barb 4H : 1/2" Hose Barb 5H : 9/16" Hose Barb MT : 1/2" Tri-Clamp TC : 1 1/2" Tri-Clamp 	<p>-ETO</p> <p>Ethylene Oxide Sterilization</p>

Example:

SKVDS065S045S4H4H-ETO

PureFlo SKV Series Capsule, Highly Asymmetric Dual Layer PES 0.65µm / 0.45µm PES membrane, 2.5", S-Size, Filtration Area 1,380cm², 1/2" Hose Barb (Inlet/Outlet), ETO Sterilized (Factory Sterilized)

Part Number

Description

Special Configuration:



International Filter Products

Revolutionary systems for your industry

Layer Option:

- Single Layer
- Dual Layer

Micron Rating Option:

- 0.04 Micron
- 0.1 Micron
- 0.2 Micron
- 0.45 Micron
- 0.65 Micron
- 0.8 Micron
- 1.2 Micron

Bleed Valve Seal Option:

- Silicone
- EPDM
- Nitrile
- Viton

Inlet Fitting Option:

- 1H = 1/8" Hose Barb
- 1Q = 1/8" Male Quick Coupling with Metal Latch
- 2H = 1/4" Hose Barbs
- 2HS = 1/4" to 3/8 " Hose Barb
- 2Q = 1/4" Male Quick Coupling for Metal Latch
- 3H = 3/8" Hose Barb
- 4H = 1/2" Hose Barb
- 4Q = 1/2" Male Quick Coupling for Plastic latch
- 5H = 5/8" Hose Barb
- MT = 1/2" Tri clamps
- TC = 1-1/2" Tri clamp

Outlet Fitting Option:

- 1H = 1/8" Hose Barb
- 1Q = 1/8" Male Quick Coupling with Metal Latch
- 2H = 1/4" Hose Barbs
- 2HS = 1/4" to 3/8 " Hose Barb
- 2Q = 1/4" Male Quick Coupling for Metal Latch
- 3H = 3/8" Hose Barb
- 4H = 1/2" Hose Barb
- 4Q = 1/2" Male Quick Coupling for Plastic latch
- 5H = 5/8" Hose Barb
- MT = 1/2" Tri clamps
- TC = 1-1/2" Tri clamp

