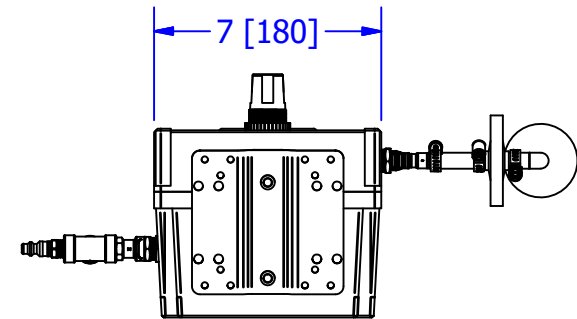
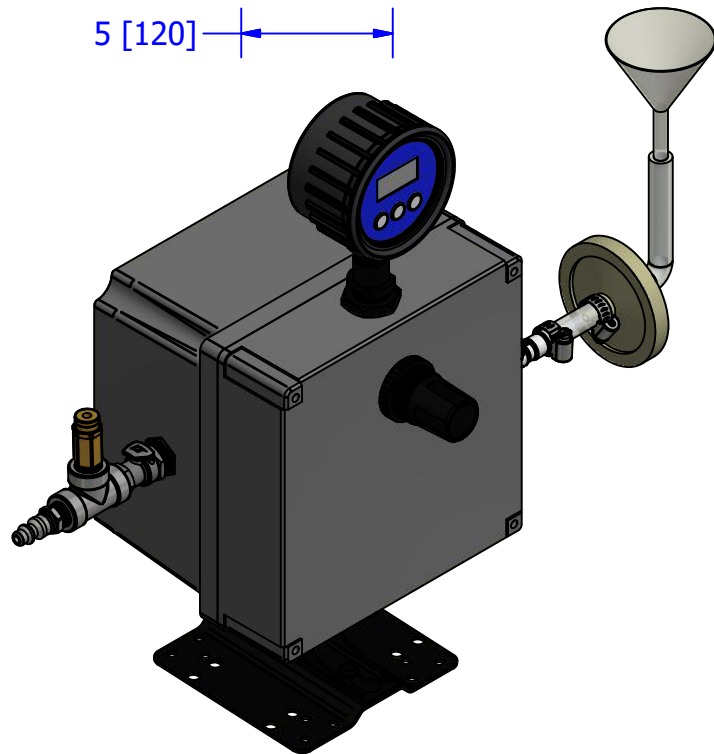
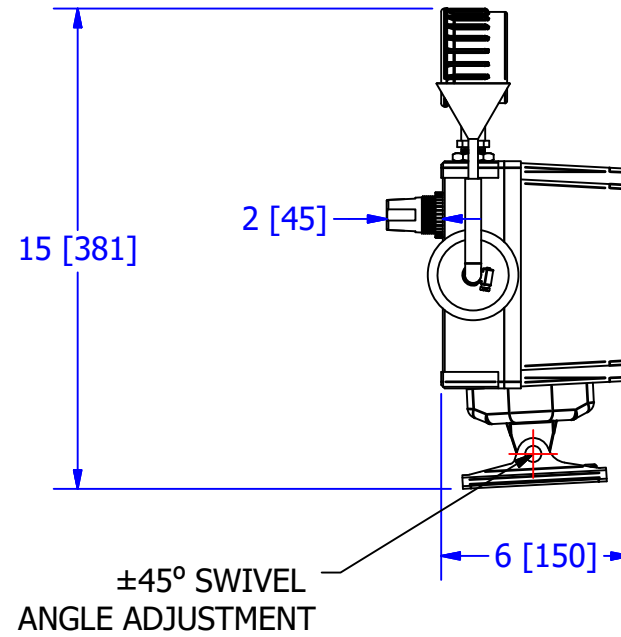
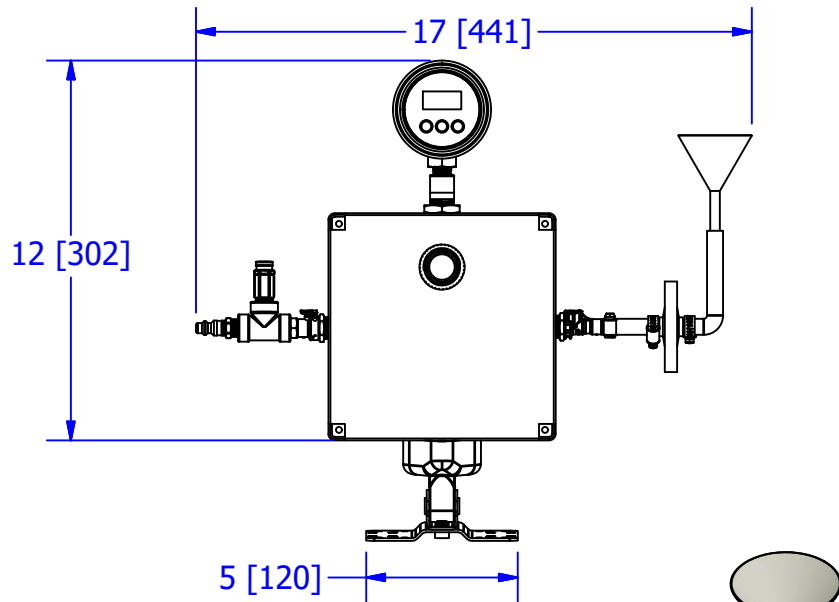


THIS DOCUMENT IS FOR REFERENCE ONLY AND IS PROPRIETARY INFORMATION BELONGING TO INTERNATIONAL FILTER PRODUCTS UNAUTHORIZED COPIES OR USE FOR OTHER PURPOSES STRICTLY PROHIBITED.

REVISIONS				
ZONE	REV	DESCRIPTION	DATE	APPROVED
	-	SALES DRAWING	02/04/2021	CD MORLAND
	A	ADDED ADJUSTMENT MOUNT	2/16/2021	ONYX SA



DRAWN ONYX SA	2/4/2021
CHECKED YA ZANKI	2/5/2021
APPROVED CD MORLAND	2/5/2021

International Filter Products

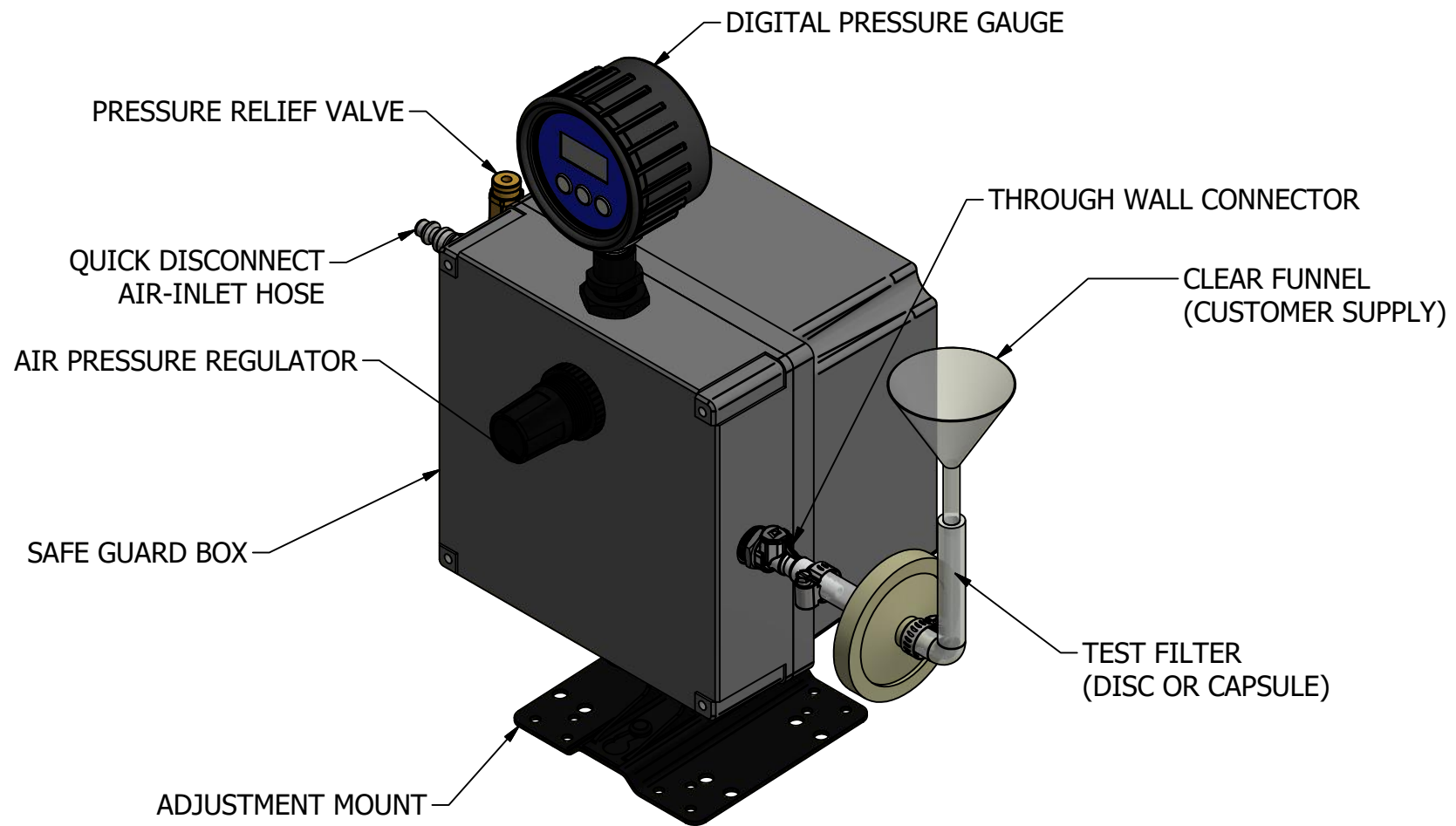
7914 Ajay Dr. PHONE: 818-504-8115
Sun Valley, CA 91352 FAX: 818-841-2947
email: www.internationalfilterproducts.com

UNLESS OTHERWISE SPECIFIED
DIMENSIONS ARE IN INCHES
DECIMALS FRACTIONS +/- 1/16
X +/- .030 ANGLES +/- 1/2
XX +/- .015 SURFACE ROUGHNESS 125
XXX +/- .005
CONCENTRICITIES .010 (FIM)
INTERNAL RADII .015~.030
BREAK CORNERS .005~.015

TITTLE			
BUBBLE POINT TEST STAND 2			
SIZE A	ISOF NO	DWG NO IFP-161-0002	REV A
SCALE NA	WEIGHT N/A	SHEET 1 OF 4	

THIS DOCUMENT IS FOR REFERENCE ONLY AND IS PROPRIETARY INFORMATION BELONGING TO INTERNATIONAL FILTER PRODUCTS UNAUTHORIZED COPIES OR USE FOR OTHER PURPOSES STRICTLY PROHIBITED.

REVISIONS				
ZONE	REV	DESCRIPTION	DATE	APPROVED
	-	SALES DRAWING	02/04/2021	CD MORLAND
	A	ADDED ADJUSTMENT MOUNT	2/16/2021	ONYX SA



DRAWN ONYX SA	2/4/2021
CHECKED YA ZANKI	2/5/2021
APPROVED CD MORLAND	2/5/2021

International Filter Products
 7914 Ajay Dr. PHONE: 818-504-8115
 Sun Valley, CA 91352 FAX: 818-841-2947
 email: www.internationalfilterproducts.com

UNLESS OTHERWISE SPECIFIED
 DIMENSIONS ARE IN INCHES
 DECIMALS FRACTIONS +/- 1/16
 X +/- .030 ANGLES +/- 1/2
 XX +/- .015 SURFACE ROUGHNESS 125
 XXX +/- .005
 CONCENTRICITIES .010 (FIM)
 INTERNAL RADII .015~.030
 BREAK CORNERS .005~.015

TITLE			
BUBBLE POINT TEST STAND 2			
SIZE A	ISOF NO	DWG NO IFP-161-0002	REV A
SCALE NA	WEIGHT N/A	SHEET 2 OF 4	