



International Filter Products

Revolutionary systems for your industry

JKP Series PES – Dual Layer Filter Capsules

JKP Capsule filter assemblies are ready-to-use filters that offer high flows, increased throughputs, high strength, all with the convenience and cleanliness of a disposable and easy-to-install filter assembly in a small package. These capsules are designed for small pre-filtration, clarification, and final filtration, in pharmaceutical, biotechnological applications. The filtration shell is an all-polypropylene construction that provides excellent chemical compatibility, truly flexible, clean, and optimal.

Application

- Buffers and Media
- SVP (Small Volume Parenteral)
- Vaccines
- Scale up processing
- Product Sterilization
- Bio Bags
- Biologics
- Ultrapure Water
- Fermentation Broths
- Pharmaceuticals
- Antibiotics
- Serums

Part# JKPS0800203H3H-ETO: JKP Filter Capsule with 3/8" Hose Barb Inlet/outlet Connection





International Filter Products

Revolutionary systems for your industry

Technical Data Sheet

Popular Configuration:

Catalog Number	Micron Rating	Inlet Connection	Outlet Connection	Vent Connection	Sterilization
JKPS0800203H3H-ETO	0.8 µm / 0.2 µm (Dual Layer)	3/8" Hose Barb	3/8" Hose Barb	Luer Loc Cap	ETO Sterilized

❖ Find the complete list of available standard inlet and outlet fittings in page 5.

Micron Rating:

Final Membrane: 0.2 µm PES [Sterilizing Grade Membrane]

Pre-Filter: 0.8 µm PES

Effective Filtration Area:

Junior Capsule; 43.5 in² (280 cm²)

Materials of Construction:

Membrane: Pharmaceutical Grade PES (Polyethersulfone) Sterilizing Grade

Membrane Feature: Hydrophilic, Low Protein Binding, High Flow Rate

Shell, Cage, Core, End Caps: Polypropylene

Valve O-Rings: Silicon (Standard)

Sealing: Thermally Bonded

Operating Conditions:

Maximum Forward Differential Pressure: **Liquid:** 5.5 bar (80psi) at 77°F/25°C

Gas: 4.1 bar (60psi) at 77°F/25°C

Minimum Burst Pressure: 8.3 bar (120psi) at 77°F/25°C

Maximum Reverse Differential Pressure: 3.0 bar (44psi) at 68°F/20°C

Maximum Operating Temperature: 176°F/80°C

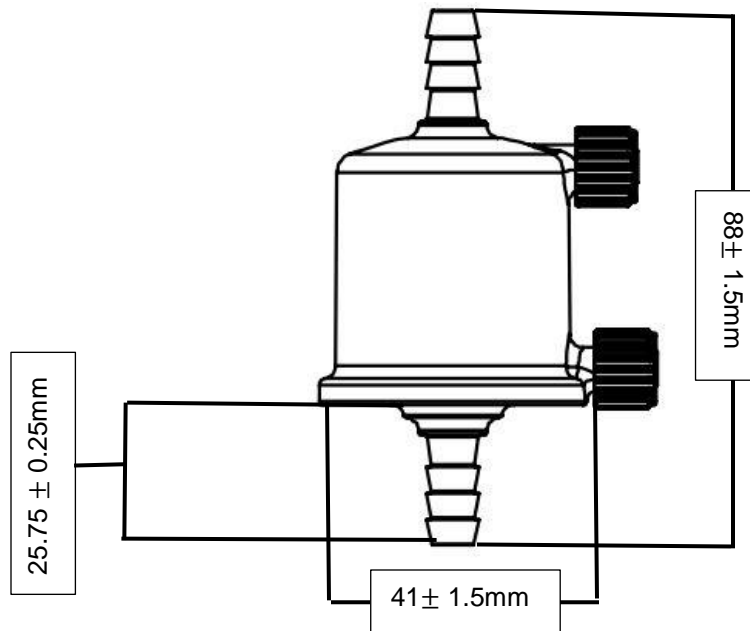


International Filter Products

Revolutionary systems for your industry

Nominal Dimension:

Part Number: JKPS0800203H3H-ETO



Hold-Up Volume (Approx.):

Upstream Volume: 7.7 ml

Downstream Volume: 1.1 ml

Typical Filtered Volume:

5.5L – 15.5L

Filter Integrity:

The finished product was sampled and shown to exhibit a minimum bubble point of ≥ 18 psi (1.2 bar) in 60%IPA / 40% water and ≥ 50 psi (3.5 bar) in DI Water (at 22°C).

Sterilization:

Capsules can be autoclaved 25 times at 125 °C (257°F) for 30 minutes or chemically sanitized in situ using common sanitizing agents or hot water at 90 °C (194°F) for a limited time (dependent on time and temperature).

Warning: The filters cannot be sterilized by steam-in-place (SIP)



International Filter Products

Revolutionary systems for your industry

Regulatory Compliance:

The filters are constructed with polypropylene resins and filtration media in compliance with 21CFR Part 177 of the US Code of Federal Regulations and USP Class VI Biological Test for Plastic.

USP Bacterial Endotoxins:

The filters were tested to confirm that an aqueous extraction of this product contains <0.25 EU/ml as determined by the Limulus Amebocyte Lysate (LAL) Test

USP Conductivity:

Effluent is tested during the manufacturing process and shown to meet the requirements for USP Sterile Water for Injection for conductivity.

Bacterial Retention:

The filters are quantitatively retentive towards *Brevundimonas diminuta* (ATCC #19146) at a minimum challenge level of 10^7 CFU per cm^2 of filtration area, consistent with ASTM F838-05

ISO 10993-5 Cytotoxicity:

Extract from this product is non-Cytotoxic

ASTM Hemolysis:

Extract from this product is non-Hemolytic

Human and Veterinarian Use:

The product is safe for Human and Veterinarian use. CGMP CFR part 210 & 211, additional requirement of 21 CFR part 600 and 21 CFR part 680 are applicable to the aseptic manufacturing process.

Animal-Derived Components & TSE/BSE Risk:

No animal-derived material is intentionally added or used during the manufacture of this product.

Shelf Life:

The JKP capsules have a shelf life of 3 years from the date of sterilization.





International Filter Products

Revolutionary systems for your industry

JKP- Series PES Junior Capsules (Pharmaceutical Grade)

Ordering Guide



[1]	[2] Inlet and [3] Outlet	[4]
Micron Rating [Pre-Filter/Final Filter]	Inlet and Outlet Connection	Sterilization
<ul style="list-style-type: none"> S020 : 0.2 µm DS065S020 : Highly Asymmetric 0.65/0.2 µm DS045S020 : Highly Asymmetric 0.45/0.2 µm DS045S010 : Highly Asymmetric 0.45/0.1 µm S080020 : 0.8/0.2 µm S020010: 0.2/0.1 µm <p>Note: All final membranes are sterilizing grade.</p>	<ul style="list-style-type: none"> 1H : 1/8" Hose Barb 1Q : 1/8" Male Quick Coupling with Metal Latch 2H : 1/4" Hose Barbs 2H-FB : 1/4" Hose barbs with Filling Bell 2Q : 1/4" Male Quick Coupling for Metal Latch 2N : 1/4" MNPT 3H : 3/8" Hose barbs LF : Luer Loc Female LM : Luer Loc Male MT : 1/2" Tri clamps 	<p>-ETO</p> <p>Ethylene Oxide Sterilization</p>

Example:

JKPS0800203H3H-ETO

PureFlo JKP Series Junior Capsule, Dual Layer PES 0.8µm / 0.2µm PES membrane (Sterilizing Grade), Filtration Area 260 cm², 3/8" Hose Barb (Inlet/Outlet), ETO Sterilized (Factory Sterilized)

Part Number

Description



International Filter Products

Revolutionary systems for your industry

Special Configuration:

Layer Option:

- Single Layer
- Dual Layer

Micron Rating Option:

- 0.04 Micron
- 0.1 Micron
- 0.2 Micron
- 0.45 Micron
- 0.65 Micron
- 0.8 Micron
- 1.2 Micron

Inlet Fitting Option:

- 1H : 1/8" Hose Barb
- 1Q : 1/8" Male Quick Coupling with Metal Latch
- 2H : 1/4" Hose Barbs
- 2H-FB : 1/4" Hose barbs with Filling Bell
- 2Q : 1/4" Male Quick Coupling for Metal Latch
- 2N : 1/4" MNPT
- 3H : 3/8" Hose Barbs
- LF : Luer Loc Female
- MT : 1/2" Tri clamps

Outlet Fitting Option:

- 1H : 1/8" Hose Barb
- 1Q : 1/8" Male Quick Coupling with Metal Latch
- 2H : 1/4" Hose Barbs
- 2H-FB : 1/4" Hose barbs with Filling Bell
- 2Q : 1/4" Male Quick Coupling for Metal Latch
- 2N : 1/4" MNPT
- 3H : 3/8" Hose Barbs
- LM : Luer Loc Male
- MT : 1/2" Tri clamps

