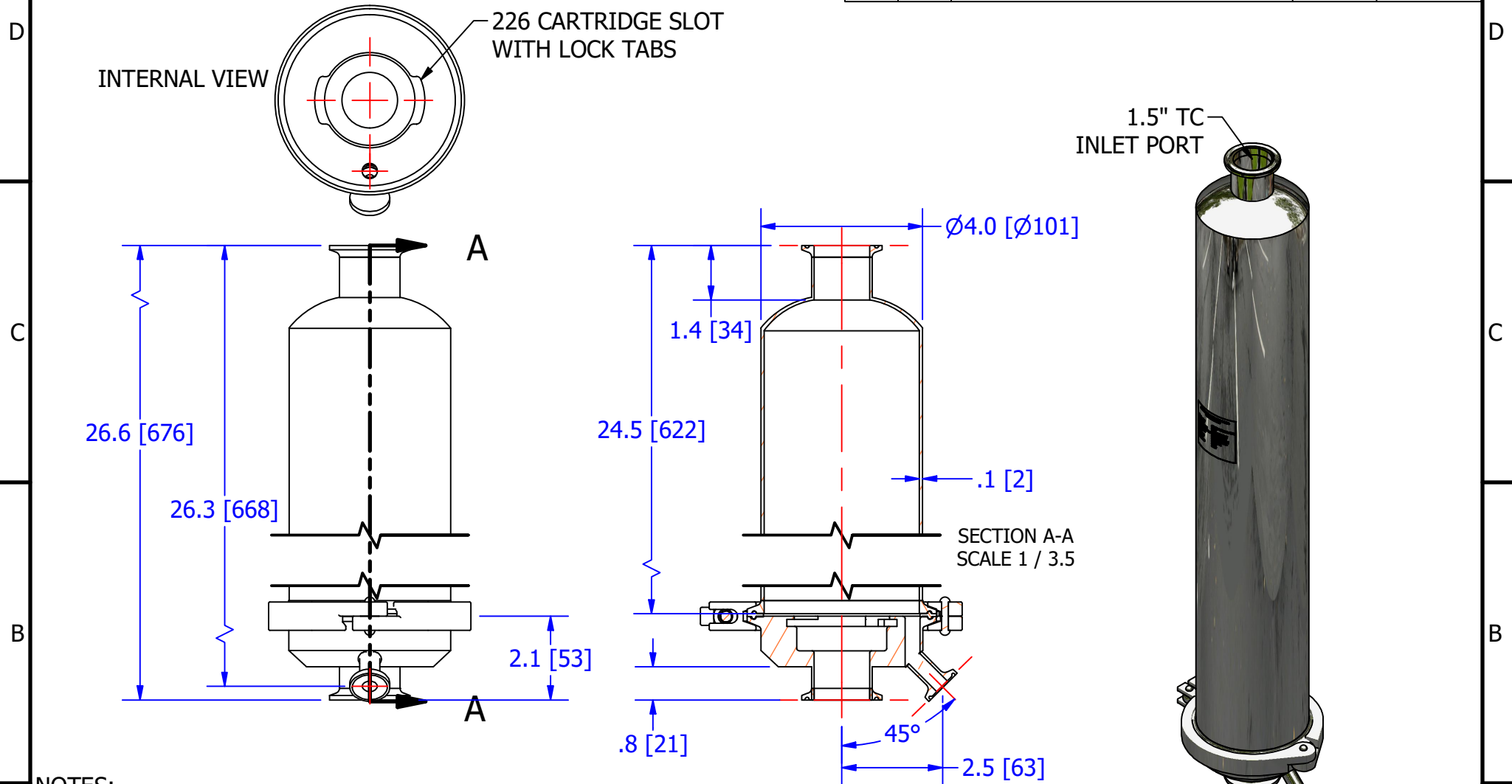


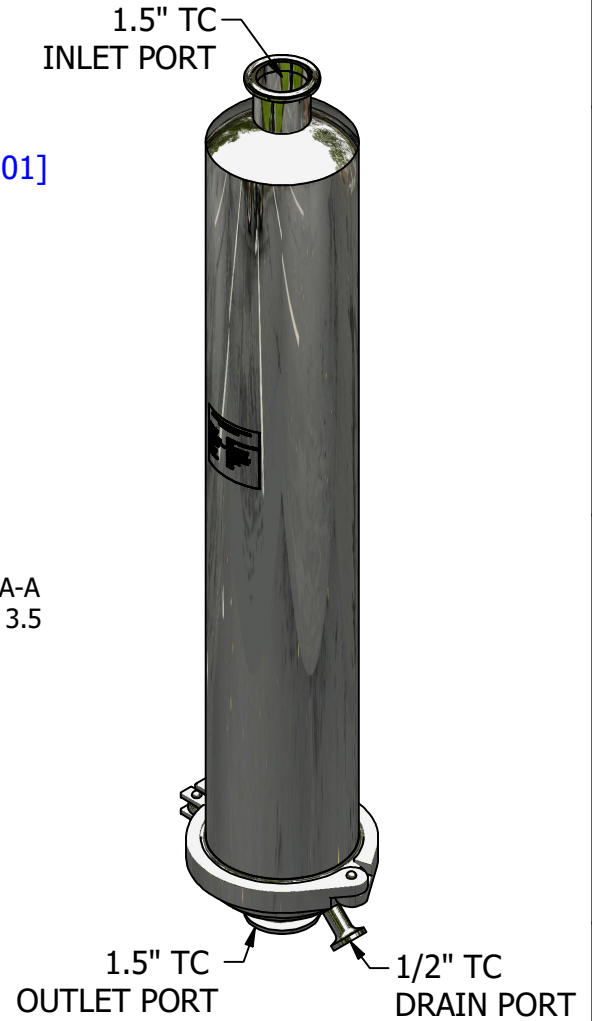
THIS DOCUMENT IS FOR REFERENCE ONLY AND IS PROPRIETARY INFORMATION BELONGING TO INTERNATIONAL FILTER PRODUCTS. UNAUTHORIZED COPIES OR USE FOR OTHER PURPOSES STRICTLY PROHIBITED.

REVISIONS				
ZONE	REV	DESCRIPTION	DATE	APPROVED
	-	SALES DRAWING	09/25/2023	CD MORLAND



NOTES:

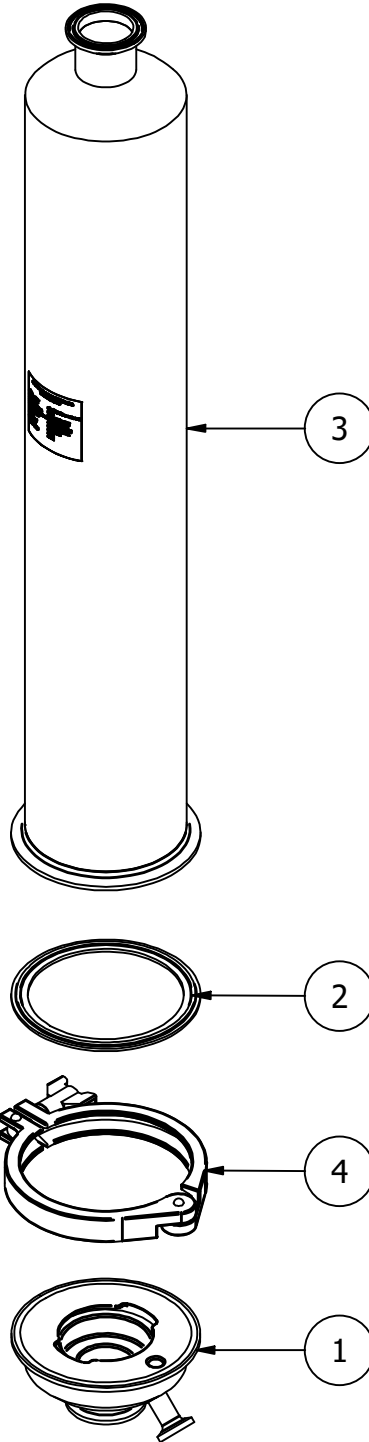
- 1.0 DESIGN PRESSURE 125 PSI [8.5 BAR] @ 212 °F [100 °C]
- 2.0 FINISH INTERNAL: 16 RA; EXTERNAL 25 RA
- 3.0 UNIT IS DESIGNED TO ACCEPT FILTER CARTRIDGE:
 (1) 2.75 DIA., 20" LONG 226 O-RING FILTER CARTRIDGE W/FIN
- 4.0 FILTER HOUSING IS DESIGNED AND BUILT PER ASME 2010 DIVISION I SECTION VIII
- 5.0 SEAL MATERIAL: SILICONE, OTHER SEAL OPTIONS AVAILABLE



DRAWN EA Flores CHECKED YA Zanki APPROVED CD MORLAND 9/25/2023 9/25/2023 9/25/2023	International Filter Products 7914 Ajay Drive Sun Valley, CA 91352 PHONE: 818-504-8115 FAX: 818-841-2947 email: www.internationalfilterproducts.com	TITLE GAS HOUSING, 20-INCH SSSH
UNLESS OTHERWISE SPECIFIED DIMENSIONS ARE IN INCHES DECIMALS FRACTIONS +/- 1/16 X +/- .030 ANGLES +/- 1/2 XX +/- .015 SURFACE ROUGHNESS 125 XXX +/- .005 CONCENTRICITIES .010 (FIM) INTERNAL RADII .015~.030 BREAK CORNERS .005~.015	SIZE A	DWG NO 01-0212-G-2-2-226-2-1 REV -
SCALE NA	WEIGHT 10.622 lbmass	SHEET 1 OF 2

THIS DOCUMENT IS FOR REFERENCE ONLY AND IS PROPRIETARY INFORMATION BELONGING TO INTERNATIONAL FILTER PRODUCTS UNAUTHORIZED COPIES OR USE FOR OTHER PURPOSES STRICTLY PROHIBITED.

REVISIONS				
ZONE	REV	DESCRIPTION	DATE	APPROVED
	-	SALES DRAWING	09/25/2023	CD MORLAND



STANDARD SEAL KITS	
PART NUMBER	DESCRIPTION
IFP-091-0041	SEALS, SSSH, TC, 1.5 INCH I-O, SILICONE, KIT
IFP-091-0042	SEALS, SSSH, TC, 1.5 INCH I-O, EPDM, KIT
IFP-091-0043	SEALS, SSSH, TC, 1.5 INCH I-O, BUNA, KIT
IFP-091-0044	SEALS, SSSH, TC, 1.5 INCH I-O, PTFE, KIT
IFP-091-0045	SEALS, SSSH, TC, 1.5 INCH I-O, VITON, KIT

4	1	IFP-10E-0005	CLAMP, TC, 4.0 INCH, 304 SS
3	1	IFP- 01-0212-G-2-2-226-2-1-T	TOP DOME, GAS HOUSING, 20-INCH SSSH
2	1	IFP-09T-0106	SEAL, TC, 4.0 INCH, SILICONE
1	1	IFP- 02D-0206-3 MM	BASE, GAS HOUSING, SSSH-3 MM
ITEM	QTY	PART NUMBER	DESCRIPTION

BILL OF MATERIALS			
DRAWN EA Flores	9/25/2023	International Filter Products 7914 Ajay Drive PHONE: 818-504-8115 Sun Valley, CA 91352 FAX: 818-841-2947 email: www.internationalfilterproducts.com	
CHECKED YA Zanki	9/25/2023		
APPROVED CD MORLAND	9/25/2023		
UNLESS OTHERWISE SPECIFIED DIMENSIONS ARE IN INCHES DECIMALS FRACTIONS +/- 1/16 X +/- .030 ANGLES +/- 1/2 XX +/- .015 SURFACE ROUGHNESS 125 XXX +/- .005 CONCENTRICITIES .010 (FIM) INTERNAL RADII .015~.030 BREAK CORNERS .005~.015		TITLE GAS HOUSING, 20-INCH SSSH	REV -
SIZE A	ISOF NO	DWG NO 01-0212-G-2-2-226-2-1	SCALE NA WEIGHT 10.622 lbmass SHEET 2 OF 2