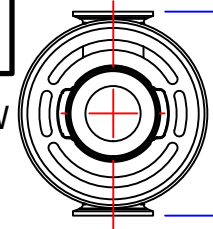


THIS DOCUMENT IS FOR REFERENCE ONLY AND IS PROPRIETARY INFORMATION BELONGING TO INTERNATIONAL FILTER PRODUCTS UNAUTHORIZED COPIES OR USE FOR OTHER PURPOSES STRICTLY PROHIBITED.

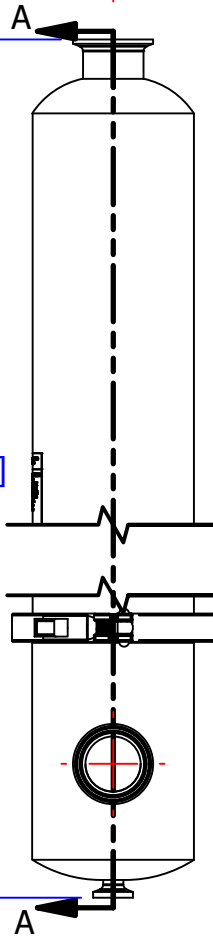
REVISIONS				
ZONE	REV	DESCRIPTION	DATE	APPROVED
	-	Sales Drawing	9/27/2023	CD Morland

INTERNAL VIEW

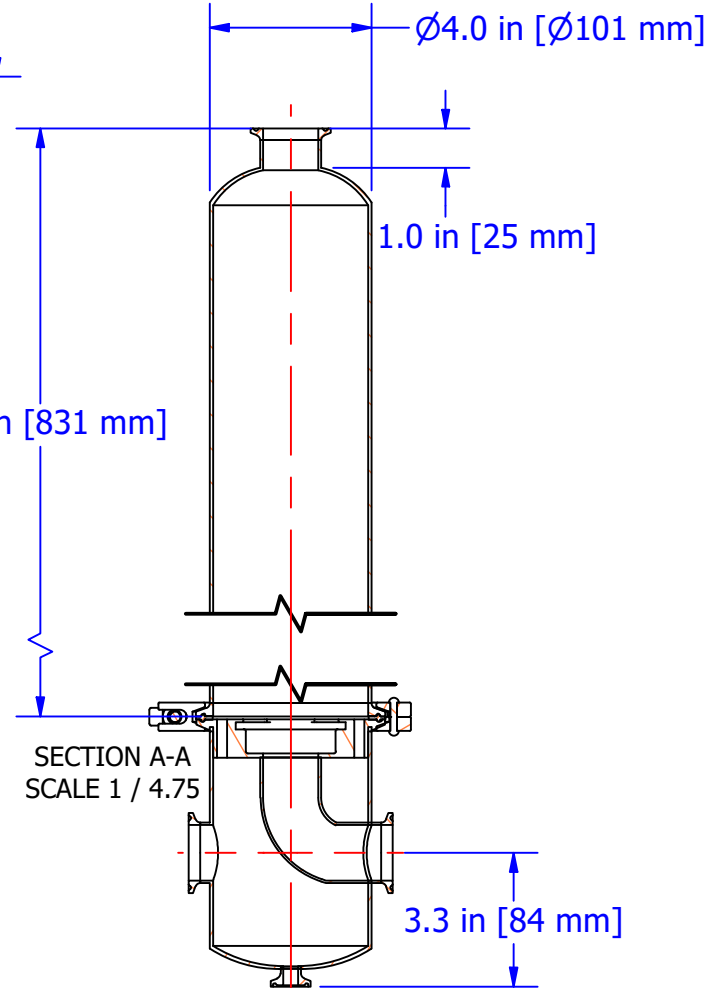


5.1 in [128 mm]

39.4 in [1001 mm]

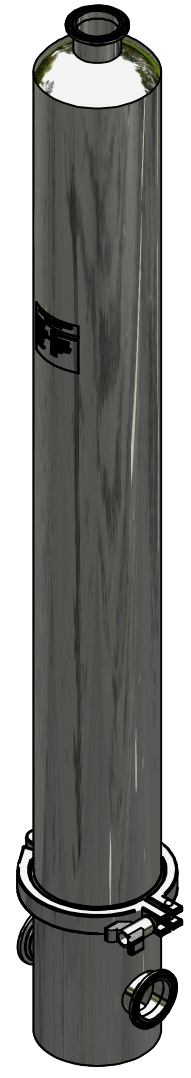


32.7 in [831 mm]



SECTION A-A  
SCALE 1 / 4.75

3.3 in [84 mm]



NOTES:

- 1.0 DESIGN PRESSURE 125 PSI [8.5 BAR] @ 212 °F [100 °C]
- 2.0 FINISH INTERNAL: 11 RA; EXTERNAL 25 RA
- 3.0 UNIT IS DESIGNED TO ACCEPT FILTER CARTRIDGE:  
(1) 2.75 DIA., 30" LONG 226 O-RING FILTER CARTRIDGE W/FIN
- 4.0 FILTER HOUSING IS DESIGNED AND BUILT PER ASME 2010 DIVISION I SECTION VIII
- 5.0 SEAL MATERIAL: SILICONE, OTHER SEAL OPTIONS AVAILABLE

DRAWN EA Flores	9/27/2023
CHECKED YA Zanki	9/27/2023
APPROVED CD Morland	9/27/2023

**International Filter Products**  
7914 AJAY DRIVE  
SUN VALLEY, CA 91352  
PHONE: 818-504-8115  
FAX: 818-841-2947  
email: charlie@internationalfilterproducts.com

UNLESS OTHERWISE SPECIFIED  
DIMENSIONS ARE IN INCHES  
DECIMALS FRACTIONS +/- 1/16  
X +/- .030 ANGLES +/- 1/2  
XX +/- .015 SURFACE ROUGHNESS 125  
XXX +/- .005  
CONCENTRICITIES .010 (FIM)  
INTERNAL RADII .015~.030  
BREAK CORNERS .005~.015

TITLE <b>GAS HOUSING, 30-INCH SSSH</b>			
SIZE <b>A</b>	ISOF NO	DWG NO <b>01-0210-G-3-2-226-2-1</b>	REV -
SCALE NA	WEIGHT N/A	SHEET <b>1</b> OF <b>4</b>	

4

3

2

1

THIS DOCUMENT IS FOR REFERENCE ONLY AND IS PROPRIETARY INFORMATION BELONGING TO INTERNATIONAL FILTER PRODUCTS UNAUTHORIZED COPIES OR USE FOR OTHER PURPOSES STRICTLY PROHIBITED.

REVISIONS				
ZONE	REV	DESCRIPTION	DATE	APPROVED
	-	Sales Drawing	9/27/2023	CD Morland

D

D

C

C

B

B

A

A

1.5" TC GAUGE PORT

1.5" TC INLET PORT

1/2" TC DRAIN PORT

1.5" TC OUTLET PORT

DRAWN EA Flores	9/27/2023	<b>International Filter Products</b>		
CHECKED YA Zanki	9/27/2023	7914 AJAY DRIVE	PHONE: 818-504-8115	
APPROVED CD Morland	9/27/2023	SUN VALLEY, CA 91352	FAX: 818-841-2947	email: charlie@internationalfilterproducts.com
UNLESS OTHERWISE SPECIFIED DIMENSIONS ARE IN INCHES		TITLE		
DECIMALS X +/- .030	FRACTIONS +/- 1/16	<b>GAS HOUSING, 30-INCH SSSH</b>		
XX +/- .015	ANGLES +/- 1/2			
XXX +/- .005	SURFACE ROUGHNESS 125			
CONCENTRICITIES .010 (FIM)				
INTERNAL RADII .015~.030		SIZE	ISOF NO	DWG NO
BREAK CORNERS .005~.015		A		01-0210-G-3-2-226-2-1
		SCALE	WEIGHT	REV
		NA	N/A	-
		SHEET		2 OF 4

4

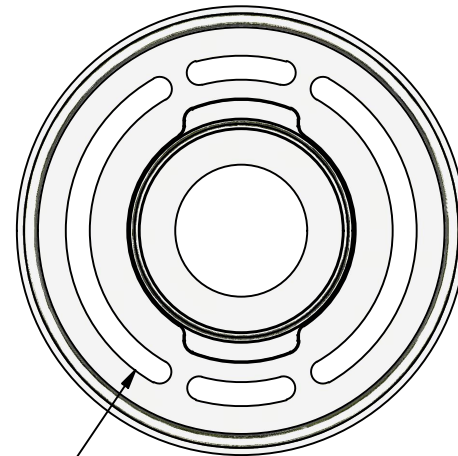
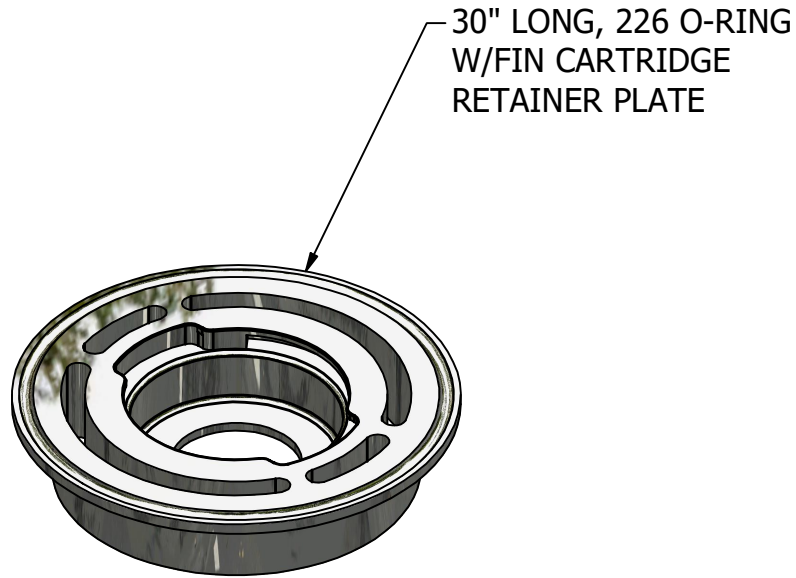
3

2

1

THIS DOCUMENT IS FOR REFERENCE ONLY AND IS PROPRIETARY INFORMATION BELONGING TO INTERNATIONAL FILTER PRODUCTS UNAUTHORIZED COPIES OR USE FOR OTHER PURPOSES STRICTLY PROHIBITED.

REVISIONS				
ZONE	REV	DESCRIPTION	DATE	APPROVED
	-	Sales Drawing	9/27/2023	CD Morland



D

D

C

C

B

B

A

A

4

3

2

1

DRAWN EA Flores	9/27/2023
CHECKED YA Zanki	9/27/2023
APPROVED CD Morland	9/27/2023

**International Filter Products**  
 7914 AJAY DRIVE      PHONE: 818-504-8115  
 SUN VALLEY, CA 91352      FAX: 818-841-2947  
 email: charlie@internationalfilterproducts.com

UNLESS OTHERWISE SPECIFIED  
 DIMENSIONS ARE IN INCHES

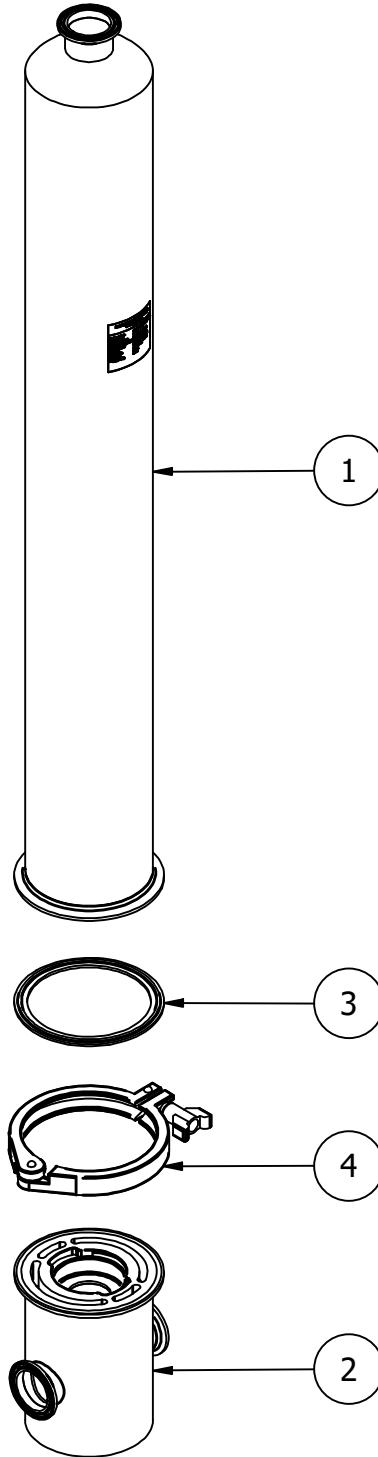
DECIMALS      FRACTIONS +/- 1/16  
 X +/- .030      ANGLES +/- 1/2  
 XX +/- .015      SURFACE ROUGHNESS 125  
 XXX +/- .005

CONCENTRICITIES .010 (FIM)  
 INTERNAL RADII .015~.030  
 BREAK CORNERS .005~.015

TITLE <b>GAS HOUSING, 30-INCH SSSH</b>			
SIZE <b>A</b>	ISOF NO	DWG NO <b>01-0210-G-3-2-226-2-1</b>	REV -
SCALE NA	WEIGHT N/A	SHEET <b>3</b> OF <b>4</b>	

THIS DOCUMENT IS FOR REFERENCE ONLY AND IS PROPRIETARY INFORMATION BELONGING TO INTERNATIONAL FILTER PRODUCTS UNAUTHORIZED COPIES OR USE FOR OTHER PURPOSES STRICTLY PROHIBITED.

REVISIONS				
ZONE	REV	DESCRIPTION	DATE	APPROVED
	-	Sales Drawing	9/27/2023	CD Morland



ITEM	QTY	PART NUMBER	DESCRIPTION
4	1	IFP-10E-0005	CLAMP, TC, 4.0 INCH, 304 SS
3	1	IFP-09T-0106	SEAL, TC, 4.0 INCH, SILICONE
2	1	IFP-01-0210-G-X-2-226-2-1-B	BASE GAS HOUSING, SSSH
1	1	IFP-01-0212-G-3-2-226-2-1-T	TOP DOME, GAS HOUSING, 30-INCH SSSH

**BILL OF MATERIALS**

DRAWN EA Flores CHECKED YA Zanki APPROVED CD Morland	9/27/2023 9/27/2023 9/27/2023	<b>International Filter Products</b> 7914 AJAY DRIVE SUN VALLEY, CA 91352 PHONE: 818-504-8115 FAX: 818-841-2947 email: charlie@internationalfilterproducts.com	TITLE <b>GAS HOUSING, 30-INCH SSSH</b>
UNLESS OTHERWISE SPECIFIED DIMENSIONS ARE IN INCHES DECIMALS    FRACTIONS +/- 1/16 X +/- .030    ANGLES +/- 1/2 XX +/- .015    SURFACE ROUGHNESS 125 XXX +/- .005 CONCENTRICITIES .010 (FIM) INTERNAL RADII .015~.030 BREAK CORNERS .005~.015		SIZE <b>A</b>	ISOF NO DWG NO <b>01-0210-G-3-2-226-2-1</b> REV <b>-</b>
SCALE NA		WEIGHT N/A	SHEET <b>4</b> OF <b>4</b>

4

3

2

1

D

D

C

C

B

B

A

A

4

3

2

1