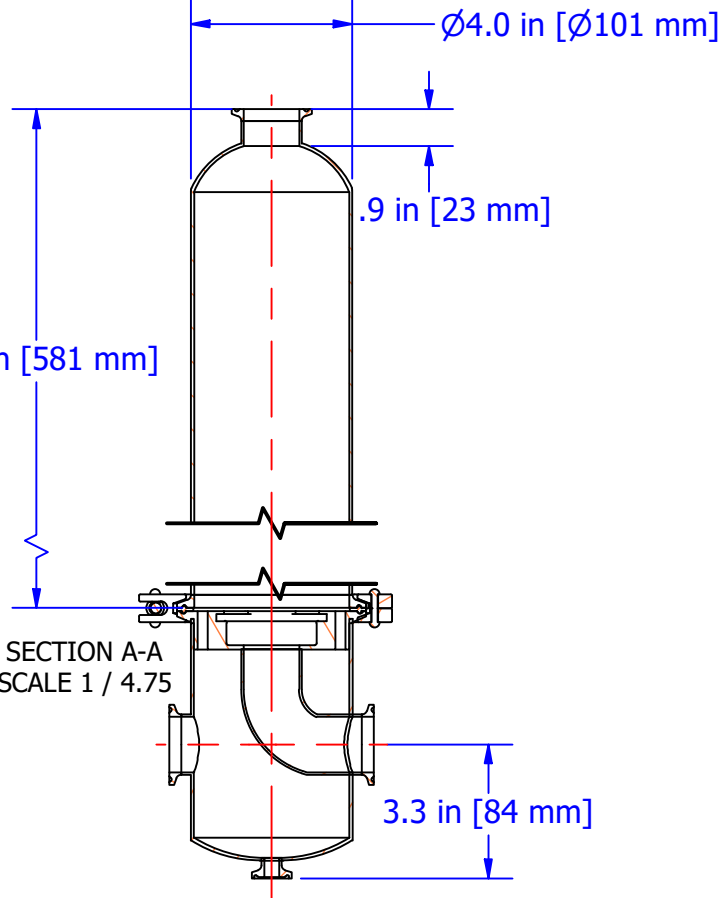
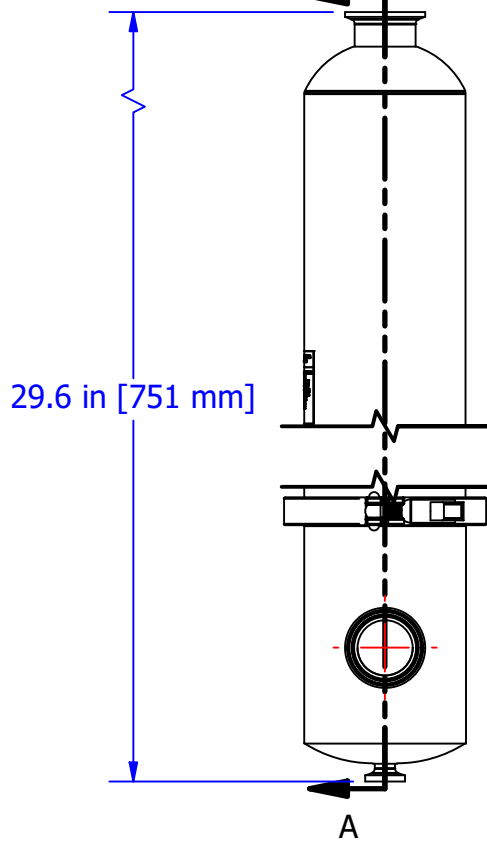
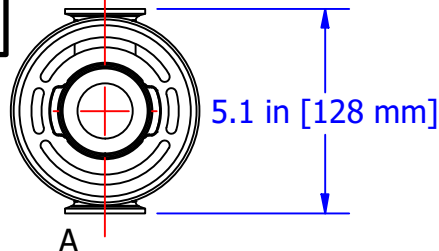


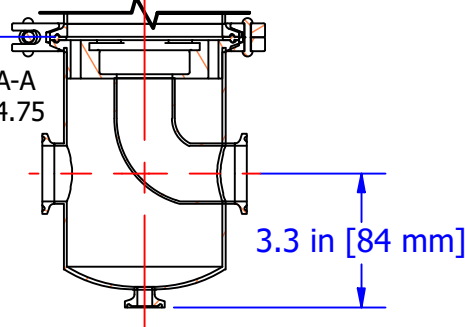
THIS DOCUMENT IS FOR REFERENCE ONLY AND IS PROPRIETARY INFORMATION BELONGING TO INTERNATIONAL FILTER PRODUCTS UNAUTHORIZED COPIES OR USE FOR OTHER PURPOSES STRICTLY PROHIBITED.

REVISIONS				
ZONE	REV	DESCRIPTION	DATE	APPROVED
	-	Sales Drawing	9/26/2023	CD Morland

INTERNAL VIEW



SECTION A-A  
SCALE 1 / 4.75



NOTES:

- 1.0 DESIGN PRESSURE 125 PSI [8.5 BAR] @ 212 °F [100 °C]
- 2.0 FINISH INTERNAL: 11 RA; EXTERNAL 25 RA
- 3.0 UNIT IS DESIGNED TO ACCEPT FILTER CARTRIDGE:
  - (1) 2.75 DIA., 20" LONG 226 O-RING FILTER CARTRIDGE W/FIN
- 4.0 FILTER HOUSING IS DESIGNED AND BUILT PER ASME 2010 DIVISION I SECTION VIII
- 5.0 SEAL MATERIAL: SILICONE, OTHER SEAL OPTIONS AVAILABLE

DRAWN EA Flores	9/26/2023
CHECKED YA Zanki	9/26/2023
APPROVED CD Morland	9/26/2023

**International Filter Products**  
 7914 AJAY DRIVE  
 SUN VALLEY, CA 91352  
 PHONE: 818-504-8115  
 FAX: 818-841-2947  
 email: charlie@internationalfilterproducts.com

UNLESS OTHERWISE SPECIFIED  
 DIMENSIONS ARE IN INCHES

DECIMALS	FRACTIONS +/- 1/16
X +/- .030	ANGLES +/- 1/2
XX +/- .015	SURFACE ROUGHNESS 125
XXX +/- .005	

CONCENTRICITIES .010 (FIM)  
 INTERNAL RADII .015~.030  
 BREAK CORNERS .005~.015

TITLE <b>GAS HOUSING, 20-INCH SSSH</b>			
SIZE <b>A</b>	ISOF NO	DWG NO <b>01-0210-G-2-2-226-2-1</b>	REV -
SCALE NA	WEIGHT N/A	SHEET <b>1</b> OF <b>4</b>	

4

3

2

1

THIS DOCUMENT IS FOR REFERENCE ONLY AND IS PROPRIETARY INFORMATION BELONGING TO INTERNATIONAL FILTER PRODUCTS UNAUTHORIZED COPIES OR USE FOR OTHER PURPOSES STRICTLY PROHIBITED.

REVISIONS				
ZONE	REV	DESCRIPTION	DATE	APPROVED
	-	Sales Drawing	9/26/2023	CD Morland

D

D

C

C

B

B

A

A

1.5" TC GAUGE PORT



1.5" TC INLET PORT

1/2" TC DRAIN PORT



1.5" TC OUTLET PORT

DRAWN EA Flores	9/26/2023
CHECKED YA Zanki	9/26/2023
APPROVED CD Morland	9/26/2023

**International Filter Products**  
 7914 AJAY DRIVE  
 SUN VALLEY, CA 91352  
 PHONE: 818-504-8115  
 FAX: 818-841-2947  
 email: charlie@internationalfilterproducts.com

UNLESS OTHERWISE SPECIFIED  
 DIMENSIONS ARE IN INCHES  
 DECIMALS FRACTIONS +/- 1/16  
 X +/- .030 ANGLES +/- 1/2  
 XX +/- .015 SURFACE ROUGHNESS 125  
 XXX +/- .005  
 CONCENTRICITIES .010 (FIM)  
 INTERNAL RADII .015~.030  
 BREAK CORNERS .005~.015

TITLE <b>GAS HOUSING, 20-INCH SSSH</b>			
SIZE <b>A</b>	ISOF NO	DWG NO <b>01-0210-G-2-2-226-2-1</b>	REV -
SCALE NA	WEIGHT N/A	SHEET <b>2</b> OF <b>4</b>	

4

3

2

1

4

3

2

1

THIS DOCUMENT IS FOR REFERENCE ONLY AND IS PROPRIETARY INFORMATION BELONGING TO INTERNATIONAL FILTER PRODUCTS UNAUTHORIZED COPIES OR USE FOR OTHER PURPOSES STRICTLY PROHIBITED.

REVISIONS				
ZONE	REV	DESCRIPTION	DATE	APPROVED
	-	Sales Drawing	9/26/2023	CD Morland

D

D

C

C

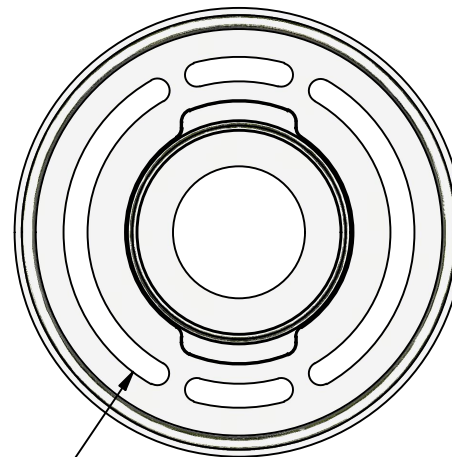
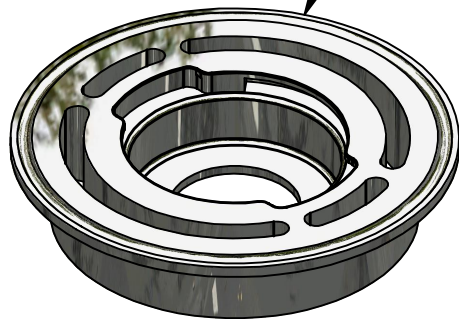
B

B

A

A

20" LONG, 226 O-RING  
W/FIN CARTRIDGE  
RETAINER PLATE



GAS ENTRY APERTURE

DRAWN EA Flores	9/26/2023
CHECKED YA Zanki	9/26/2023
APPROVED CD Morland	9/26/2023

**International Filter Products**

7914 AJAY DRIVE  
SUN VALLEY, CA 91352  
PHONE: 818-504-8115  
FAX: 818-841-2947  
email: charlie@internationalfilterproducts.com

UNLESS OTHERWISE SPECIFIED  
DIMENSIONS ARE IN INCHES

DECIMALS    FRACTIONS +/- 1/16  
X +/- .030    ANGLES +/- 1/2  
XX +/- .015    SURFACE ROUGHNESS 125  
XXX +/- .005

CONCENTRICITIES .010 (FIM)  
INTERNAL RADII .015~.030  
BREAK CORNERS .005~.015

TITLE <b>GAS HOUSING, 20-INCH SSSH</b>			
SIZE <b>A</b>	ISOF NO	DWG NO <b>01-0210-G-2-2-226-2-1</b>	REV -
SCALE NA	WEIGHT N/A	SHEET <b>3</b> OF <b>4</b>	

4

3

2

1

4

3

2

1

THIS DOCUMENT IS FOR REFERENCE ONLY AND IS PROPRIETARY INFORMATION BELONGING TO INTERNATIONAL FILTER PRODUCTS UNAUTHORIZED COPIES OR USE FOR OTHER PURPOSES STRICTLY PROHIBITED.

REVISIONS				
ZONE	REV	DESCRIPTION	DATE	APPROVED
	-	Sales Drawing	9/26/2023	CD Morland

D

D

C

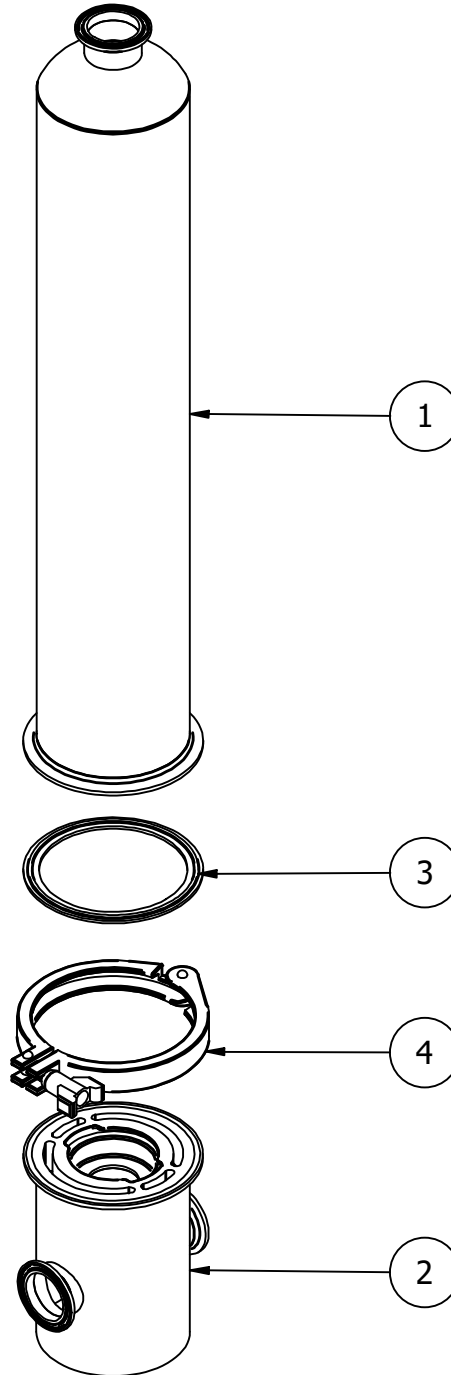
C

B

B

A

A



4	1	IFP-10E-0005	CLAMP, TC, 4.0 INCH, 304 SS
3	1	IFP-09T-0106	SEAL, TC, 4.0 INCH, SILICONE
2	1	IFP- 01-0210-G-X-2-226-2-1-B	BASE GAS HOUSING, SSSH
1	1	IFP- 01-0210-G-2-2-226-2-1-T	TOP DOME, GAS HOUSING, 20-INCH SSSH
ITEM	QTY	PART NUMBER	DESCRIPTION

BILL OF MATERIALS

<small>DRAWN</small> EA Flores <small>CHECKED</small> YA Zanki <small>APPROVED</small> CD Morland	9/26/2023 9/26/2023 9/26/2023	<b>International Filter Products</b> 7914 AJAY DRIVE SUN VALLEY, CA 91352 <small>PHONE: 818-504-8115            FAX: 818-841-2947            email: charlie@internationalfilterproducts.com</small>	<small>TITLE</small> <b>GAS HOUSING, 20-INCH SSSH</b>
<small>UNLESS OTHERWISE SPECIFIED            DIMENSIONS ARE IN INCHES</small> <small>DECIMALS    FRACTIONS +/- 1/16            X +/- .030    ANGLES +/- 1/2            XX +/- .015    SURFACE ROUGHNESS 125            XXX +/- .005</small> <small>CONCENTRICITIES .010 (FIM)            INTERNAL RADII .015~.030            BREAK CORNERS .005~.015</small>	<small>SIZE</small> <b>A</b>	<small>ISOF NO</small> NA	<small>DWG NO</small> <b>01-0210-G-2-2-226-2-1</b>
<small>SCALE</small> NA	<small>WEIGHT</small> N/A	<small>SHEET</small> <b>4</b>	<small>REV</small> <b>-</b>

4

3

2

1

OF 4