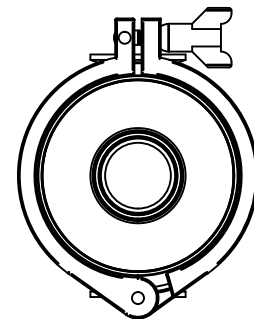
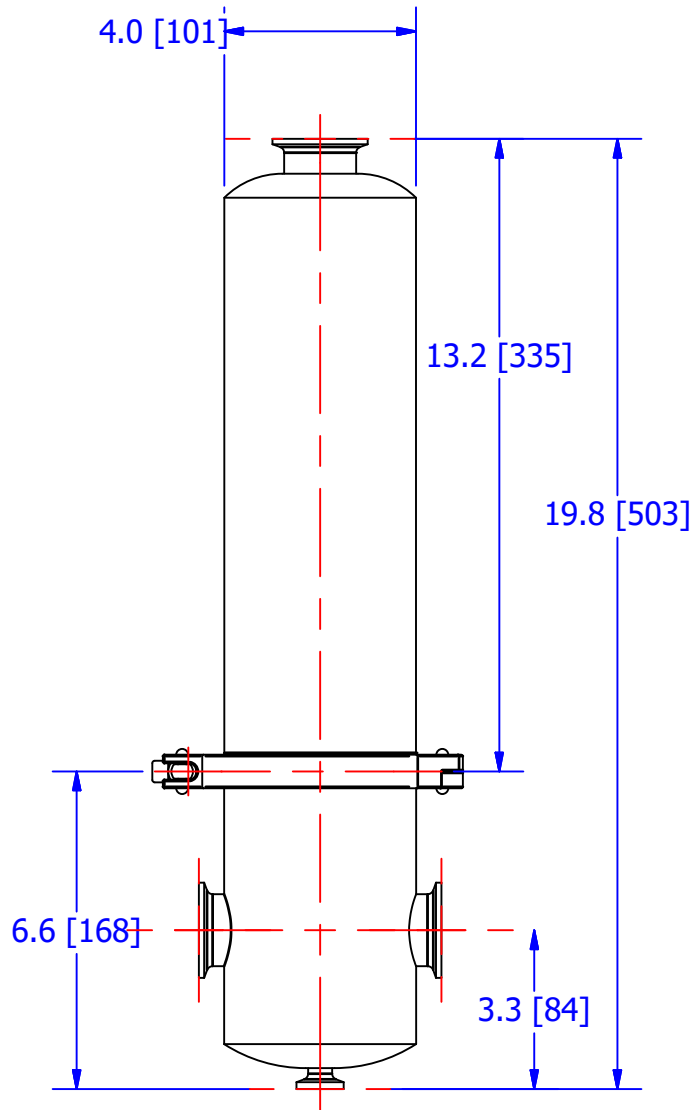
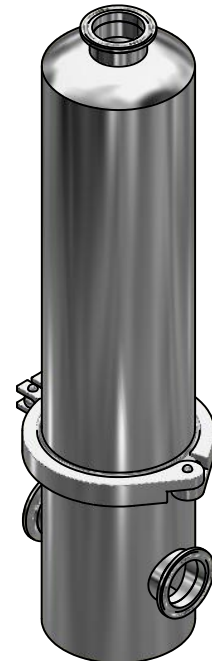


THIS DOCUMENT IS FOR REFERENCE ONLY AND IS PROPRIETARY INFORMATION BELONGING TO INTERNATIONAL FILTER PRODUCTS UNAUTHORIZED COPIES OR USE FOR OTHER PURPOSES STRICTLY PROHIBITED.

REVISIONS				
ZONE	REV	DESCRIPTION	DATE	APPROVED
	-	SALES DRAWING	9/10/2019	CD MORLAND



TOP VIEW



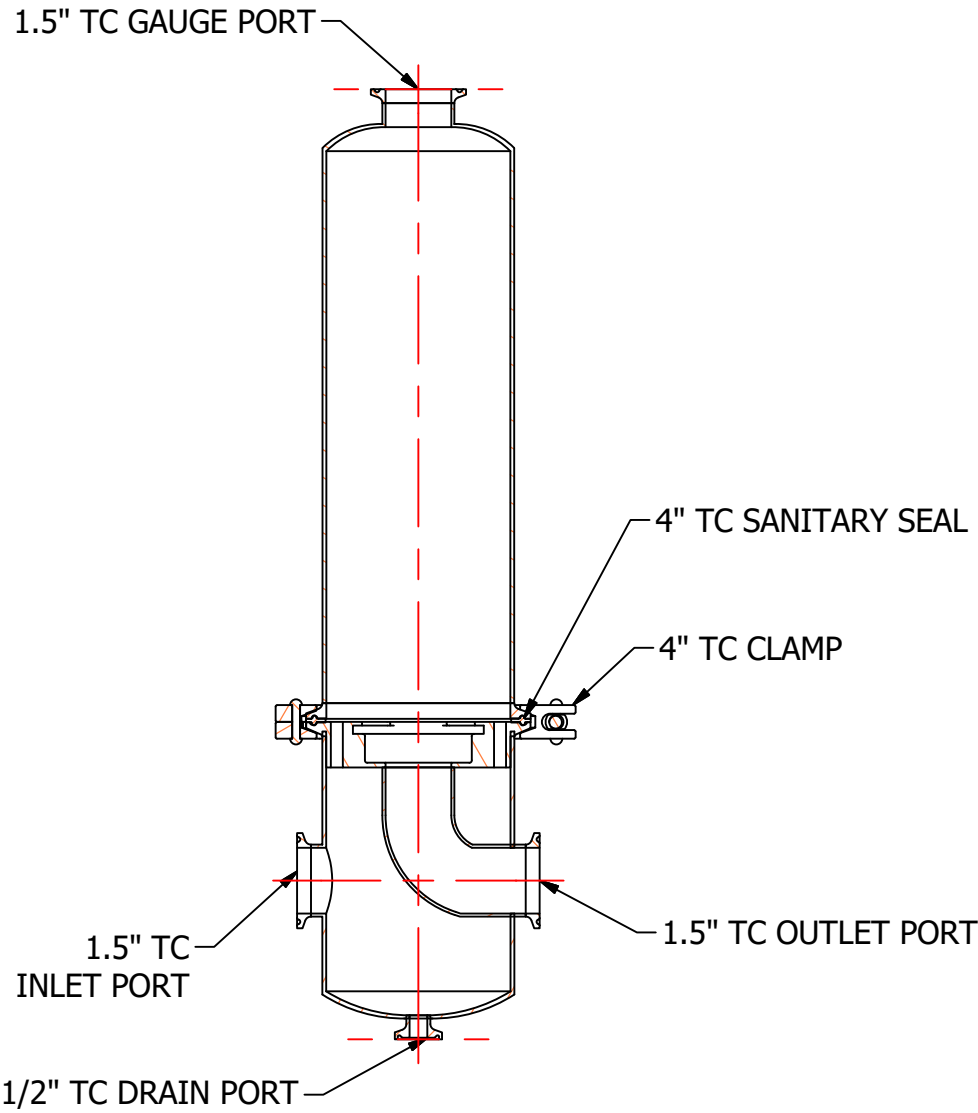
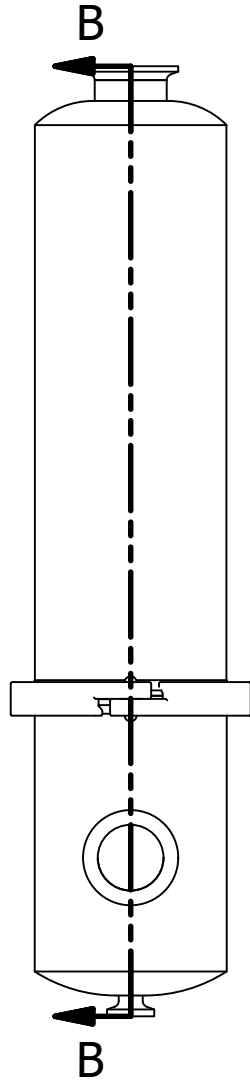
NOTES:

- 1.0 DESIGN PRESSURE 125 PSI [8.5 BAR] @ 212 °F [100 °C]
- 2.0 FINISH INTERNAL: 11 RA; EXTERNAL 25 RA
- 3.0 UNIT IS DESIGNED TO ACCEPT FILTER CARTRIDGE:  
(1) 2.75 DIA., 10" LONG 226 O-RING FILTER CARTIDGE W/FIN
- 4.0 FILTER HOUSING IS DESIGNED AND BUILT PER ASME 2010 DIVISION I SECTION VIII
- 5.0 SEAL MATERIAL: SILICONE

DRAWN <b>ONYX S A</b> CHECKED <b>A Y ZANKI</b> APPROVED <b>CD MORLAND</b>	9/10/2020 9/10/2020	<b>International Filter Products</b> 11070 Fleetwood St., Unit B Sun Valley, CA 91352 PHONE: 818-504-8115 FAX: 818-841-2947 email: www.internationalfilterproducts.com	
UNLESS OTHERWISE SPECIFIED DIMENSIONS ARE IN INCHES DECIMALS FRACTIONS +/- 1/16 X +/- .030 ANGLES +/- 1/2 XX +/- .015 SURFACE ROUGHNESS 125 XXX +/- .005 CONCENTRICITIES .010 (FIM) INTERNAL RADII .015~.030 BREAK CORNERS .005~.015		TITLE <b>GAS HOUSING, 10-INCH SSSH</b>	
SIZE <b>A</b>	ISOF NO NA	DWG NO <b>IFP-01-0210-G-1-2-226-2-1</b>	REV -
SCALE NA	WEIGHT N/A	SHEET <b>1</b> OF <b>4</b>	

THIS DOCUMENT IS FOR REFERENCE ONLY AND IS PROPRIETARY INFORMATION BELONGING TO INTERNATIONAL FILTER PRODUCTS UNAUTHORIZED COPIES OR USE FOR OTHER PURPOSES STRICTLY PROHIBITED.

REVISIONS				
ZONE	REV	DESCRIPTION	DATE	APPROVED
	-	SALES DRAWING	9/10/2019	CD MORLAND



**SECTION B-B**  
**SCALE 1 / 4**

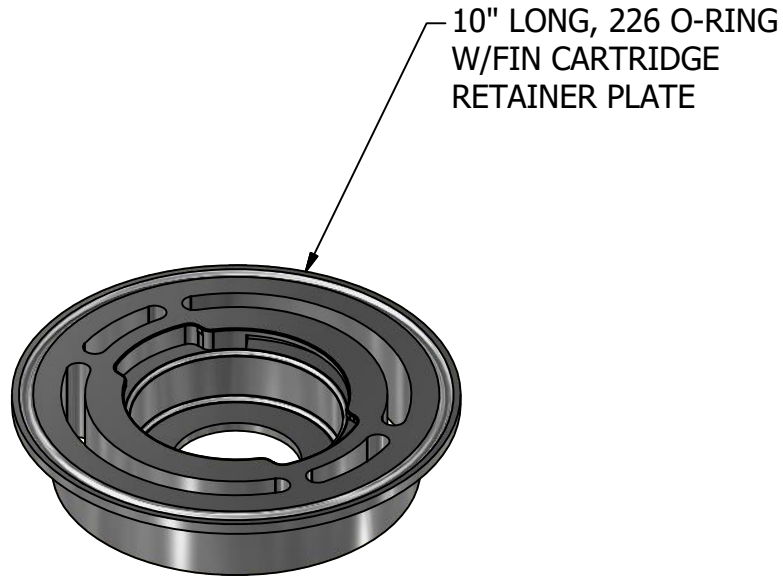
DRAWN ONYX S A	9/10/2020
CHECKED A Y ZANKI	9/10/2020
APPROVED CD MORLAND	

**International Filter Products**  
11070 Fleetwood St., Unit B  
Sun Valley, CA 91352  
PHONE: 818-504-8115  
FAX: 818-841-2947  
email: [www.internationalfilterproducts.com](http://www.internationalfilterproducts.com)

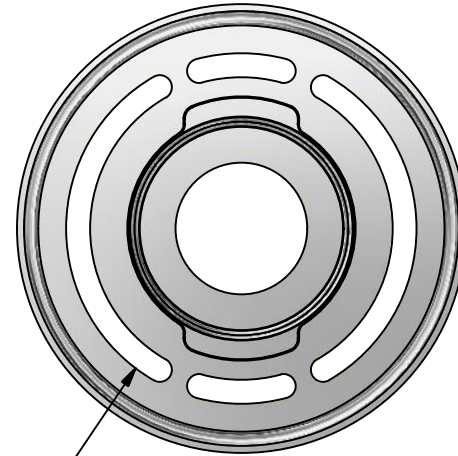
UNLESS OTHERWISE SPECIFIED  
DIMENSIONS ARE IN INCHES  
DECIMALS FRACTIONS +/- 1/16  
X +/- .030 ANGLES +/- 1/2  
XX +/- .015 SURFACE ROUGHNESS 125  
XXX +/- .005  
CONCENTRICITIES .010 (FIM)  
INTERNAL RADII .015~.030  
BREAK CORNERS .005~.015

TITLE			
GAS HOUSING, 10-INCH SSSH			
SIZE A	ISOF NO	DWG NO IFP-01-0210-G-1-2-226-2-1	REV -
SCALE NA	WEIGHT N/A	SHEET 2 OF 4	

THIS DOCUMENT IS FOR REFERENCE ONLY AND IS PROPRIETARY INFORMATION BELONGING TO INTERNATIONAL FILTER PRODUCTS UNAUTHORIZED COPIES OR USE FOR OTHER PURPOSES STRICTLY PROHIBITED.



10" LONG, 226 O-RING  
W/FIN CARTRIDGE  
RETAINER PLATE

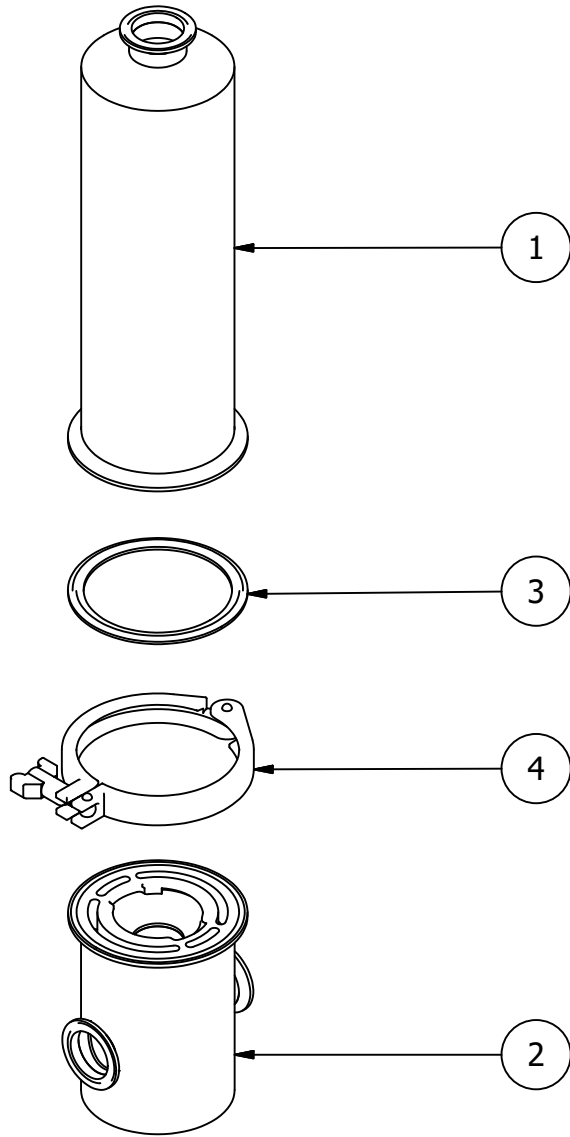


GAS ENTRY APERTURE

DRAWN ONYX S A		9/10/2020		<b>International Filter Products</b> 11070 Fleetwood St., Unit B    PHONE: 818-504-8115 Sun Valley, CA 91352    FAX: 818-841-2947 email: www.internationalfilterproducts.com	
CHECKED A Y ZANKI		9/10/2020			
APPROVED CD MORLAND				TITLE	
UNLESS OTHERWISE SPECIFIED DIMENSIONS ARE IN INCHES				GAS HOUSING, 10-INCH SSSH	
DECIMALS	FRACTIONS +/- 1/16	SIZE	ISOF NO	DWG NO	REV
X +/- .030	ANGLES +/- 1/2	A		IFP-01-0210-G-1-2-226-2-1	-
XX +/- .015	SURFACE ROUGHNESS 125	SCALE	WEIGHT	SHEET	OF
XXX +/- .005	CONCENTRICITIES .010 (FIM)	NA	N/A	3	4
	INTERNAL RADII .015~.030				
	BREAK CORNERS .005~.015				

THIS DOCUMENT IS FOR REFERENCE ONLY AND IS PROPRIETARY INFORMATION BELONGING TO INTERNATIONAL FILTER PRODUCTS UNAUTHORIZED COPIES OR USE FOR OTHER PURPOSES STRICTLY PROHIBITED.

REVISIONS				
ZONE	REV	DESCRIPTION	DATE	APPROVED
	-	SALES DRAWING	9/10/2019	CD MORLAND



4	1	IFP-10E-0005	CLAMP, TC, 4.0 INCH
3	1	IFP-09T-0106	SEAL, TC, 4.0 INCH, SILICONE
2	1	IFP- 01-0210-G-X-2-226-2-1-B	BASE GAS HOUSING, SSSH
1	1	IFP- 01-0210-G-1-2-226-2-1-T	TOP DOME, GAS HOUSING, 10-INCH SSSH
ITEM	QTY	PART NUMBER	DESCRIPTION

BILL OF MATERIALS

DRAWN ONYX S A	9/10/2020
CHECKED A Y ZANKI	9/10/2020
APPROVED CD MORLAND	

**International Filter Products**  
 11070 Fleetwood St., Unit B PHONE: 818-504-8115  
 Sun Valley, CA 91352 FAX: 818-841-2947  
 email: www.internationalfilterproducts.com

UNLESS OTHERWISE SPECIFIED  
 DIMENSIONS ARE IN INCHES  
 DECIMALS FRACTIONS +/- 1/16  
 X +/- .030 ANGLES +/- 1/2  
 XX +/- .015 SURFACE ROUGHNESS 125  
 XXX +/- .005  
 CONCENTRICITIES .010 (FIM)  
 INTERNAL RADII .015~.030  
 BREAK CORNERS .005~.015

TITLE			
<b>GAS HOUSING, 10-INCH SSSH</b>			
SIZE <b>A</b>	ISOF NO	DWG NO IFP- 01-0210-G-1-2-226-2-1	REV -
SCALE NA	WEIGHT N/A	SHEET <b>4</b> OF <b>4</b>	