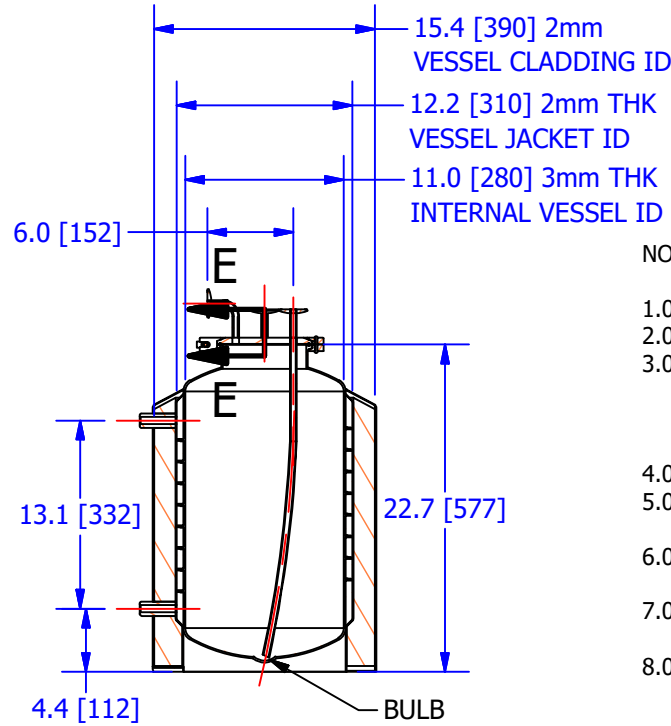
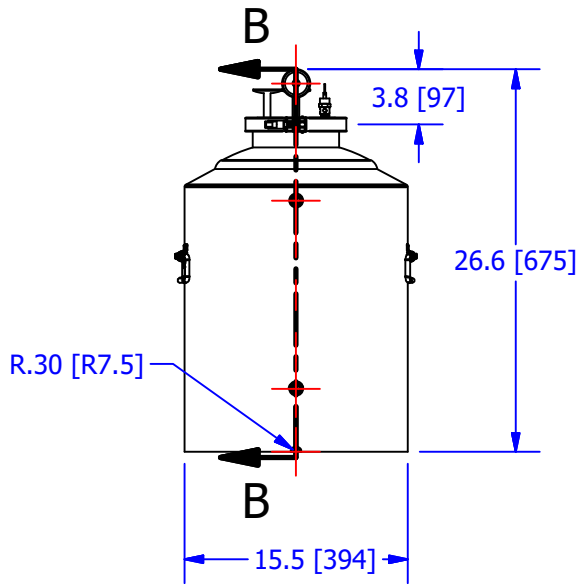
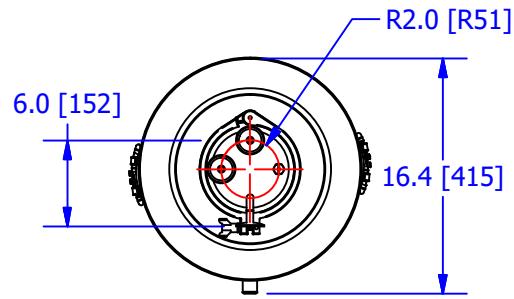
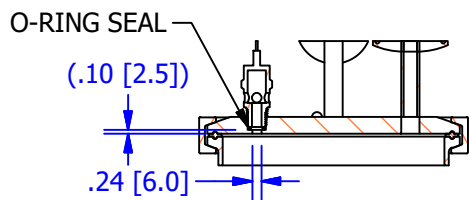


THIS DOCUMENT IS FOR REFERENCE ONLY AND IS PROPRIETARY INFORMATION BELONGING TO INTERNATIONAL FILTER PRODUCTS UNAUTHORIZED COPIES OR USE FOR OTHER PURPOSES STRICTLY PROHIBITED.

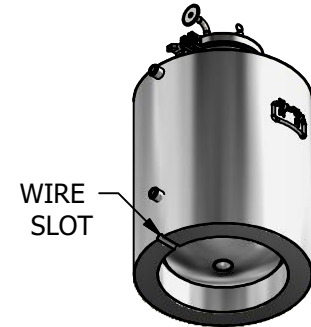
REVISIONS				
ZONE	REV	DESCRIPTION	DATE	APPROVED
	B	ADDED WIRE SLOT AND MODEL VIEW	8/26/2020	CD Morland
	C	REVISED DRAWING NOTES	2/11/2021	CD Morland
	D	REVISED DRAWING NOTES	4/23/2021	CD Morland



SECTION B-B
SCALE 0.075 : 1



SECTION E-E
SCALE 0.2 : 1



NOTES:

- 1.0 ALL WETTED SURFACE MATERIAL: 316L SS
- 2.0 WORKING VOLUME: 25 LITERS
- 3.0 TOP COVER PORTS:
INLET PORT: 1.0" SANITARY TRI-CLAMP
OUTLET PORT: 1.0" SANITARY TRI-CLAMP
GAUGE PORT: 1.0" SANITARY TRI-CLAMP
- 4.0 GASKET MATERIAL: EPDM
- 5.0 THE DESIGN PRESSURE OF THE INTERNAL VESSEL & JACKET IS 100 PSI [6.8 BAR] @ 212°F [100°C]
- 6.0 THE VESSEL MUST BE EQUIPED WITH A MECHANICAL RELIEF VALVE THAT IS RATED FOR VESSEL DESIGN PRESSURE
- 7.0 THE PROCESS VESSEL MUST BE JACKETED ON THE OUTSIDE, JACKET MATERIAL: 304 SS
- 8.0 THE VESSEL TANK MUST BE INSULATED WITH ARMAFLEX HT AND ENCLOSED WITH LAYER 304 SS CLADDING.
- 9.0 THE JACKET FLUID IS REFRIGERATION COOLANT, INLET/OUTLET PORT: 1/2" FNPT
- 10.0 JACKET HAS BAFFLES TO ENSURE FLUID CIRCULATES EVENLY AROUND THE PROCESS FLUID VESSEL.
- 11.0 ALL SURFACES ARE TO BE PASSIVATED AND ELECTRO-POLISHED.
- 12.0 INTERNAL WETTED SURFACES ARE 16 RA FINISH; EXTERNAL EXPOSED SURFACES ARE 20 RA FINISHED.
- 13.0 THE VESSEL IS DESIGNED TO BE STEAM STERILIZED AT 126 C FOR 60 MINUTES.

DRAWN YA Zanki	1/20/2020
CHECKED OS Ahmad	1/21/2020
APPROVED CD Morland	1/21/2020

International Filter Products

7914 Ajay Dr. PHONE: 818-504-8115
Sun Valley, CA 91352 FAX: 818-841-2947
email: www.internationalfilterproducts.com

UNLESS OTHERWISE SPECIFIED
DIMENSIONS ARE IN INCHES

DECIMALS	FRACTIONS +/- 1/16
X +/- .030	ANGLES +/- 1/2
XX +/- .015	SURFACE ROUGHNESS 125
XXX +/- .005	

CONCENTRICITIES .010 (FIM)
INTERNAL RADII .015~.030
BREAK CORNERS .005~.015

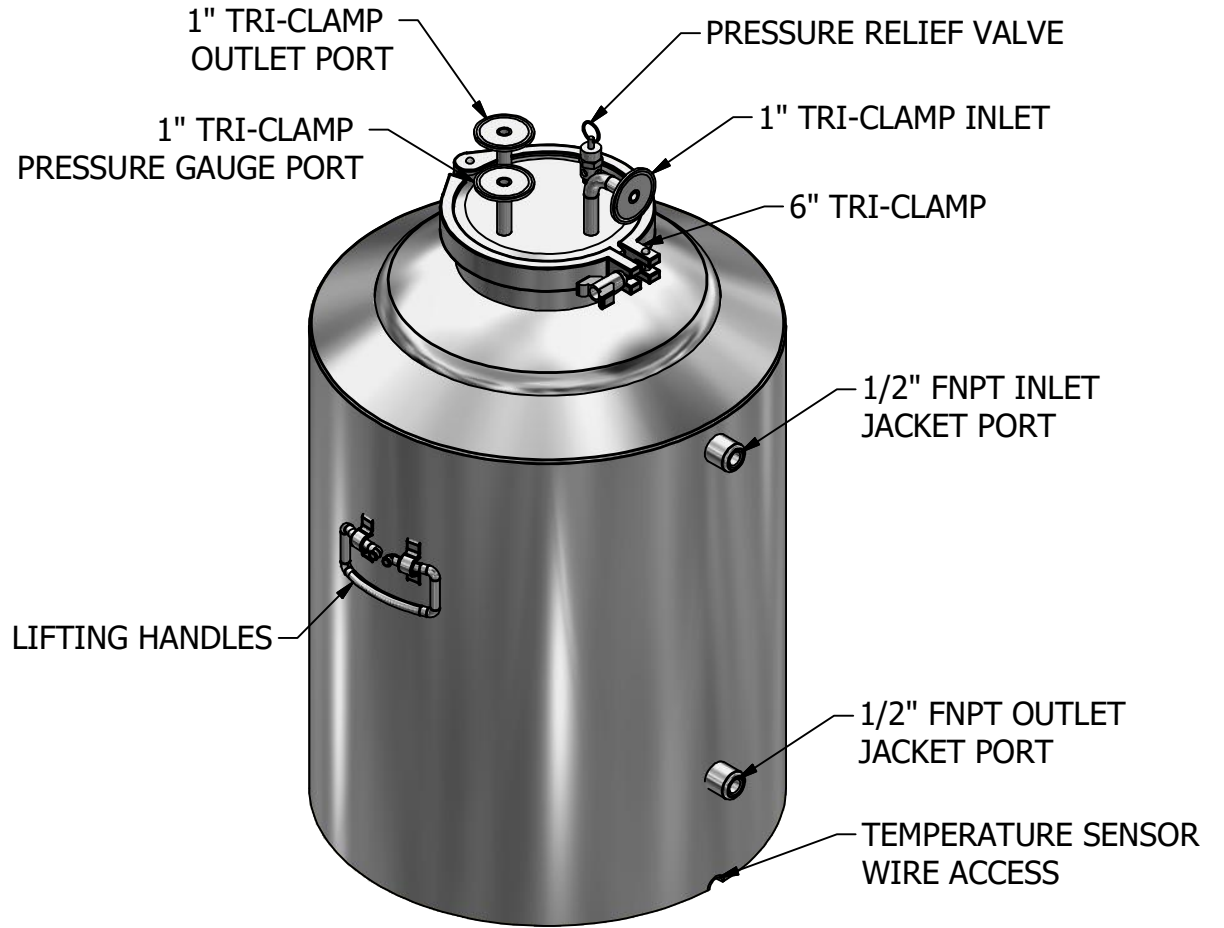
TITLE BIOREACT, JACK, 25L, 316L SS			
SIZE A	ISOF NO	DWG NO IFP-021-1125-EJ	REV D
SCALE NA	WEIGHT 125.626 lbmass	SHEET 1 OF 2	

THIS DOCUMENT IS FOR REFERENCE ONLY AND IS PROPRIETARY INFORMATION BELONGING TO INTERNATIONAL FILTER PRODUCTS UNAUTHORIZED COPIES OR USE FOR OTHER PURPOSES STRICTLY PROHIBITED.

REVISIONS				
ZONE	REV	DESCRIPTION	DATE	APPROVED
	B	ADDED WIRE SLOT AND MODEL VIEW	8/26/2020	CD Morland
	C	REVISED DRAWING NOTES	2/11/2021	CD Morland
	D	REVISED DRAWING NOTES	4/23/2021	CD Morland



BULB
DIP TUBE
(ASSIST WITH LIQUID EXTRACTION)



1" TRI-CLAMP
OUTLET PORT
PRESSURE RELIEF VALVE
1" TRI-CLAMP
PRESSURE GAUGE PORT
1" TRI-CLAMP INLET
6" TRI-CLAMP
1/2" FNPT INLET
JACKET PORT
LIFTING HANDLES
1/2" FNPT OUTLET
JACKET PORT
TEMPERATURE SENSOR
WIRE ACCESS

DRAWN YA Zanki	1/20/2020
CHECKED OS Ahmad	1/21/2020
APPROVED CD Morland	1/21/2020

International Filter Products
7914 Ajay Dr. PHONE: 818-504-8115
Sun Valley, CA 91352 FAX: 818-941-2947
email: www.internationalfilterproducts.com

UNLESS OTHERWISE SPECIFIED
DIMENSIONS ARE IN INCHES
DECIMALS FRACTIONS +/- 1/16
X +/- .030 ANGLES +/- 1/2
XX +/- .015 SURFACE ROUGHNESS 125
XXX +/- .005
CONCENTRICITIES .010 (FIM)
INTERNAL RADII .015~.030
BREAK CORNERS .005~.015

TITLE BIOREACT, JACK, 25L, 316L SS			
SIZE A	ISOF NO	DWG NO IFP-021-1125-EJ	REV D
SCALE NA	WEIGHT 125.626 lbmass	SHEET 2 OF 2	