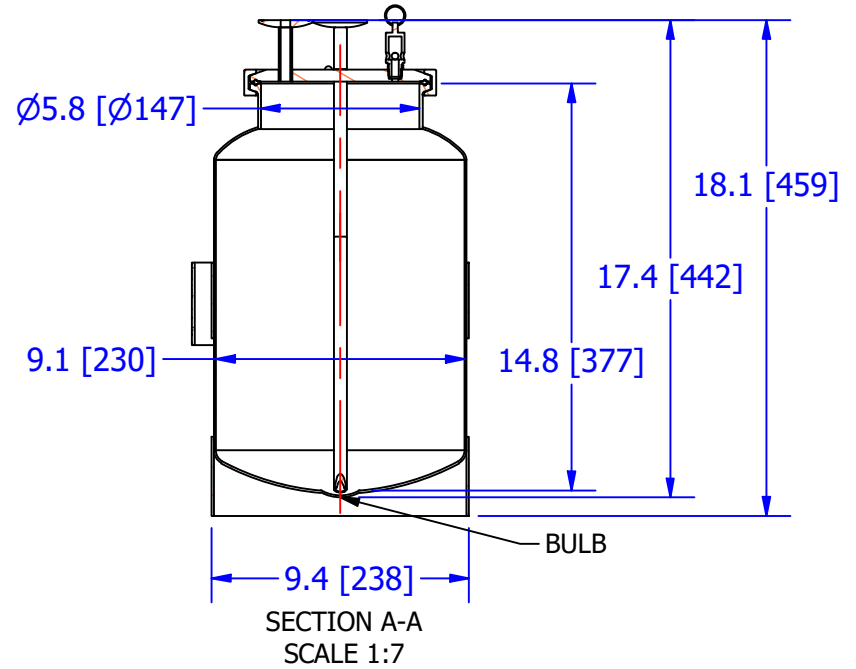
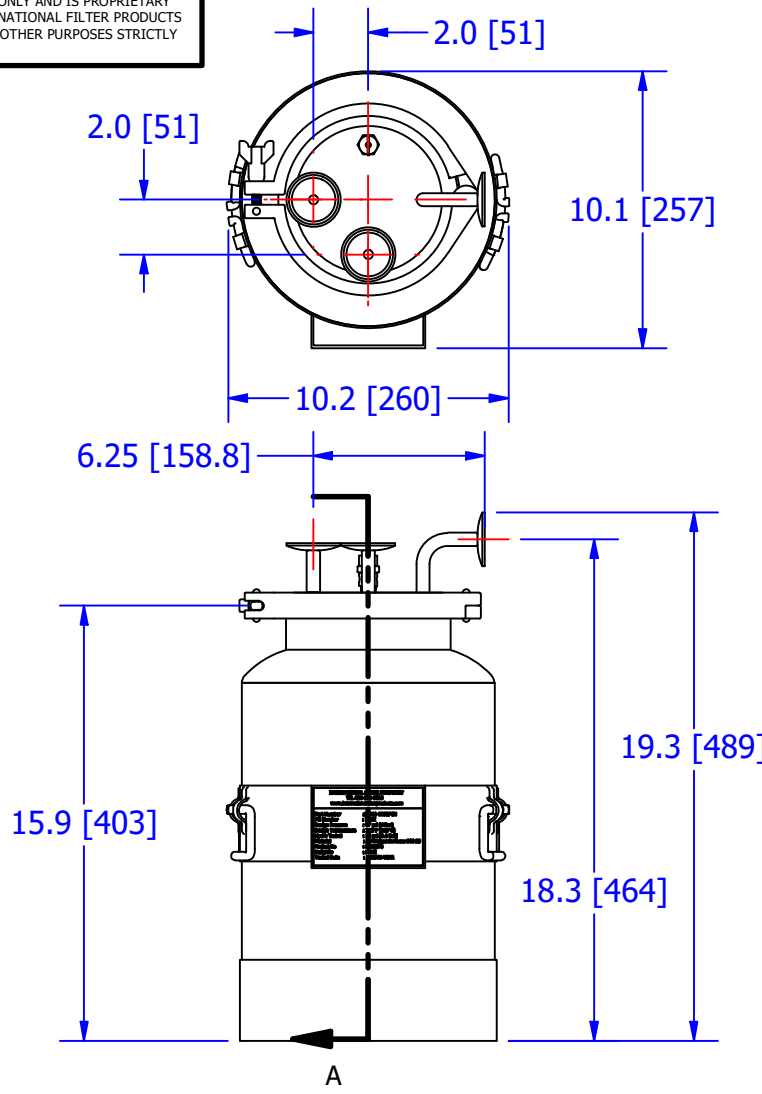


THIS DOCUMENT IS FOR REFERENCE ONLY AND IS PROPRIETARY INFORMATION BELONGING TO INTERNATIONAL FILTER PRODUCTS UNAUTHORIZED COPIES OR USE FOR OTHER PURPOSES STRICTLY PROHIBITED.

REVISIONS				
ZONE	REV	DESCRIPTION	DATE	APPROVED
	-	SALES DRAWING	10/1/2019	CD Morland
	A	CHANGE COVER FOM 4" TC TO 6" TC AND ADDED A GAUGE PORT	6/13/2022	YA ZANKI



- NOTES:
- 1.0 ALL WETTED SURFACES ARE: 316 L SS
 - 2.0 INTERNAL SURFACE FINISH IS 16 RA; EXTERNAL 25 RA
 - 3.0 PRESSURE POT DESIGNED FOR 78 PSI [5.4 BAR] @ 212 °F [100 °C].
 - 4.0 PRESSURE POT WORKING VOLUME: 10L
 - 5.0 INLET AND OUTLET PORTS: 1 INCH TRI-CLAMP
 - 6.0 GAUGE PORT: 1 INCH TRI-CLAMP
 - 7.0 DOME SEAL MATERIAL: EPDM
 - 8.0 HOUSING DESIGNED TO BE STEAM STERILIZED @ at 270 °F [132 °C] FOR 30 MIN.

DRAWN Owner	10/1/2019	International Filter Products		
CHECKED YA Zanki	10/1/2019	7914 Ajay Drive, Sun Valley, CA 91352	PHONE: 818-504-8115 FAX: 818-841-2947 email: www.internationalfilterproducts.com	
APPROVED CD Morland	10/1/2019	TITLE		
UNLESS OTHERWISE SPECIFIED DIMENSIONS ARE IN INCHES		PRESSURE POT, 10L, 316L SS		
DECIMALS X +/- .030 XX +/- .015 XXX +/- .005	FRACTIONS +/- 1/16 ANGLES +/- 1/2 SURFACE ROUGHNESS 125	SIZE A	ISOF NO	REV A
CONCENTRICITIES .010 (FIM) INTERNAL RADII .015~.030 BREAK CORNERS .005~.015		DWG NO IFP-021-1110	SCALE NA	WEIGHT 23.052 lbmass
		SHEET 1 OF 3		

4

3

2

1

THIS DOCUMENT IS FOR REFERENCE ONLY AND IS PROPRIETARY INFORMATION BELONGING TO INTERNATIONAL FILTER PRODUCTS UNAUTHORIZED COPIES OR USE FOR OTHER PURPOSES STRICTLY PROHIBITED.

REVISIONS				
ZONE	REV	DESCRIPTION	DATE	APPROVED
	-	SALES DRAWING	10/1/2019	CD Morland
	A	CHANGE COVER FOM 4" TC TO 6" TC AND ADDED A GAUGE PORT	6/13/2022	YA ZANKI

D

D

C

C

B

B

A

A



BULB

DIP TUBE (ASSIST WITH LIQUID EXTRACTION)

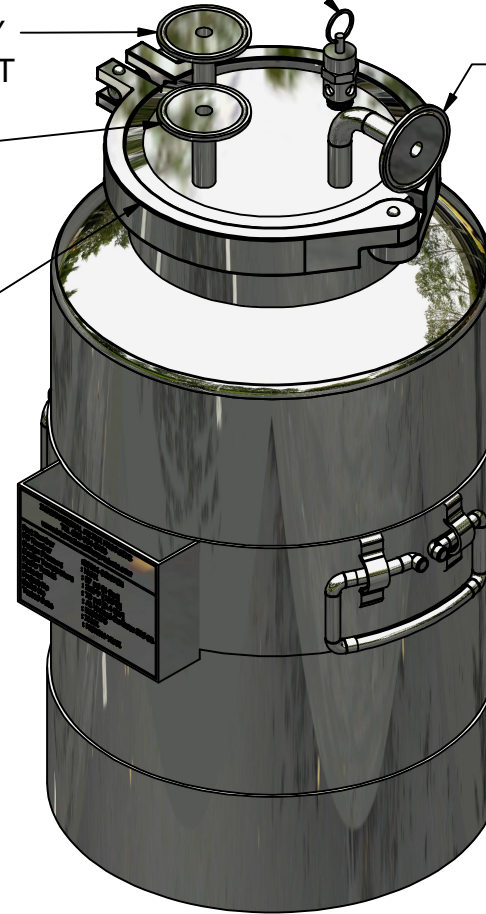
PRESSURE RELIEF VALVE (SET @ 30 PSI [2 BAR])

1" SANITARY TRI-CLAMP OUTLET

1" SANITARY TRI-CLAMP GAUGE PORT

6" TC CLAMP

1" SANITARY TRI-CLAMP INLET



DRAWN Owner	10/1/2019
CHECKED YA Zanki	10/1/2019
APPROVED CD Morland	10/1/2019

International Filter Products
 7914 Ajay Drive, Sun Valley, CA 91352
 PHONE: 818-504-8115
 FAX: 818-841-2947
 email: www.internationalfilterproducts.com

UNLESS OTHERWISE SPECIFIED DIMENSIONS ARE IN INCHES

DECIMALS FRACTIONS +/- 1/16
 X +/- .030 ANGLES +/- 1/2
 XX +/- .015 SURFACE ROUGHNESS 125
 XXX +/- .005

CONCENTRICITIES .010 (FIM)
 INTERNAL RADII .015~.030
 BREAK CORNERS .005~.015

TITLE			
PRESSURE POT, 10L, 316L SS			
SIZE	ISOF NO	DWG NO	REV
A		IFP-021-1110	A
SCALE	WEIGHT	SHEET	OF
NA	23,052 lbmass	2	3

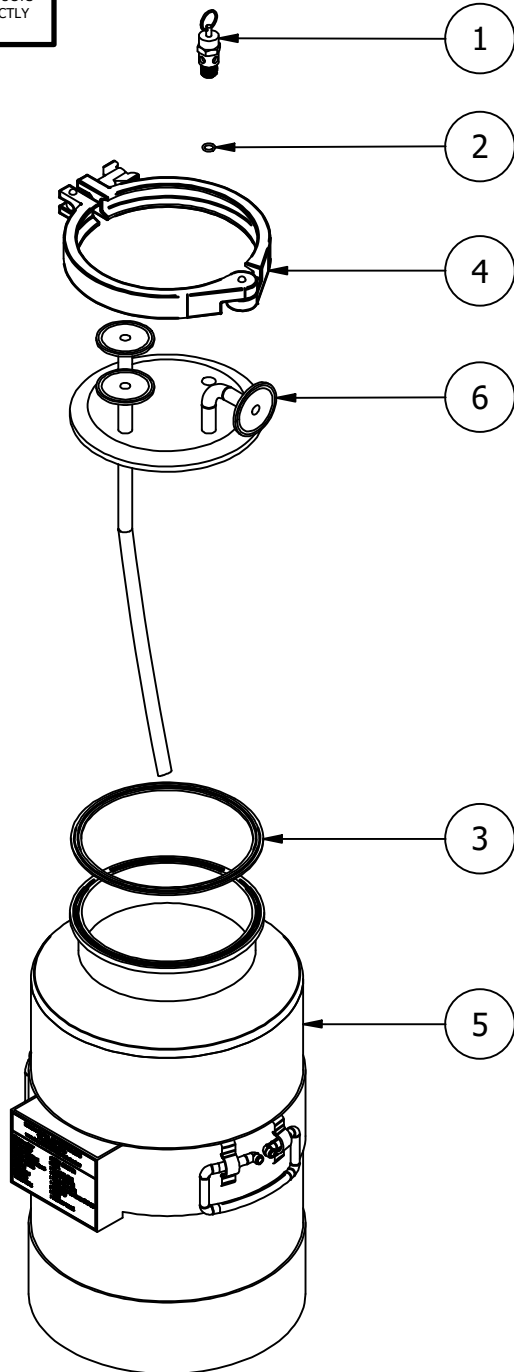
4

3

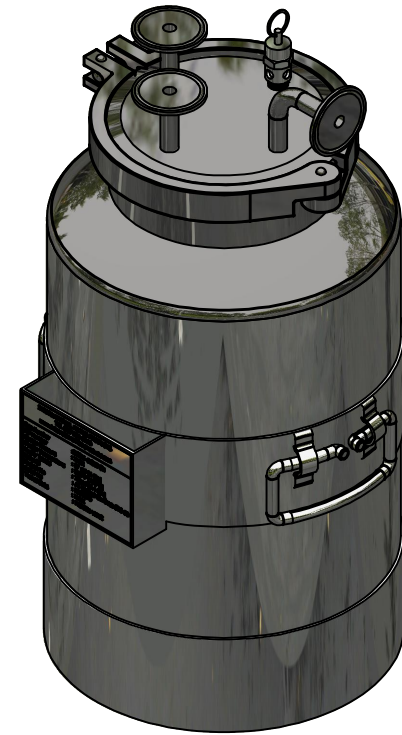
2

1

THIS DOCUMENT IS FOR REFERENCE ONLY AND IS PROPRIETARY INFORMATION BELONGING TO INTERNATIONAL FILTER PRODUCTS UNAUTHORIZED COPIES OR USE FOR OTHER PURPOSES STRICTLY PROHIBITED.



REVISIONS				
ZONE	REV	DESCRIPTION	DATE	APPROVED
	-	SALES DRAWING	10/1/2019	CD Morland
	A	CHANGE COVER FOM 4" TC TO 6" TC AND ADDED A GAUGE PORT	6/13/2022	YA ZANKI



ITEM	QTY	PART NUMBER	DESCRIPTION
4	1	IFP-10E-0006	CLAMP, TC, 6.0 INCH
3	1	IFP-09T-0107	SEAL, TC, 6.0 INCH, SILICONE
2	1	IFP-09T-0002	SEAL, O-RING, 011, SILICONE
1	1	IFP-02E-1104	RELIEF VALVE, BSP PIPE THREAD, 0.25 INCH
6	1	IFP-021-1107	COVER, PRESS POT, 5L, 316L SS
5	1	IFP-021-1106	BASE, PRESS POT, 10L, 316L SS

BILL OF MATERIALS

DRAWN Owner CHECKED YA Zanki APPROVED CD Morland	10/1/2019 10/1/2019 10/1/2019	International Filter Products 7914 Ajay Drive, Sun Valley, CA 91352 PHONE: 818-504-8115 FAX: 818-841-2947 email: www.internationalfilterproducts.com	TITLE PRESSURE POT, 10L, 316L SS
UNLESS OTHERWISE SPECIFIED DIMENSIONS ARE IN INCHES DECIMALS FRACTIONS +/- 1/16 X +/- .030 ANGLES +/- 1/2 XX +/- .015 SURFACE ROUGHNESS 125 XXX +/- .005 CONCENTRICITIES .010 (FIM) INTERNAL RADII .015~.030 BREAK CORNERS .005~.015		SIZE A	DWG NO IFP-021-1110
SCALE	NA	WEIGHT	23.052 lbmass
SHEET		3 OF 3	