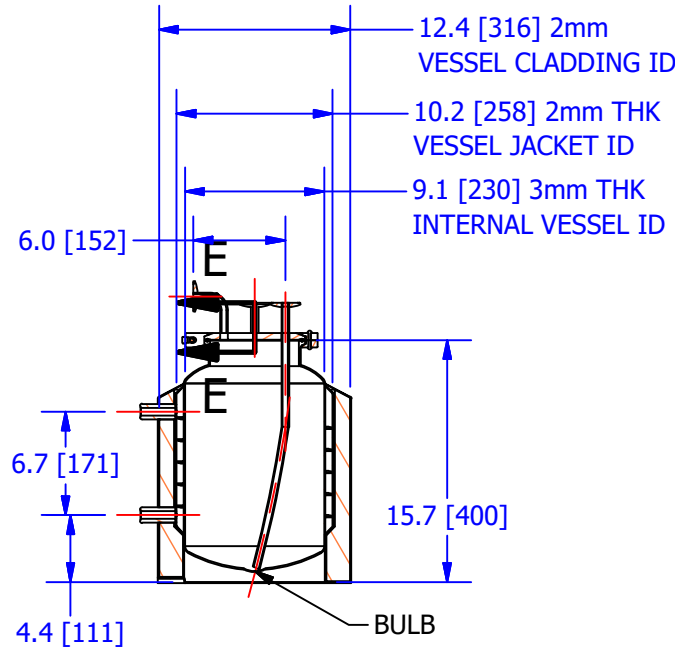
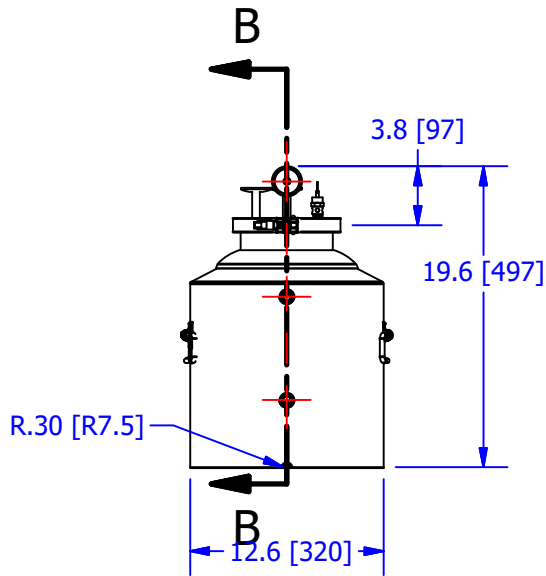
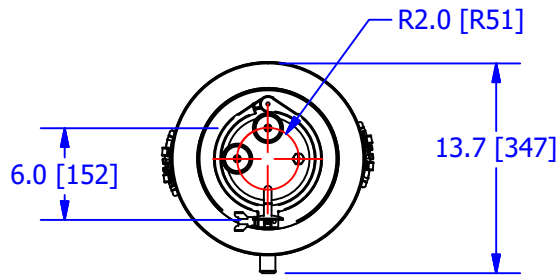
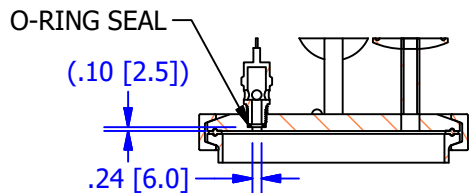


THIS DOCUMENT IS FOR REFERENCE ONLY AND IS PROPRIETARY INFORMATION BELONGING TO INTERNATIONAL FILTER PRODUCTS UNAUTHORIZED COPIES OR USE FOR OTHER PURPOSES STRICTLY PROHIBITED.

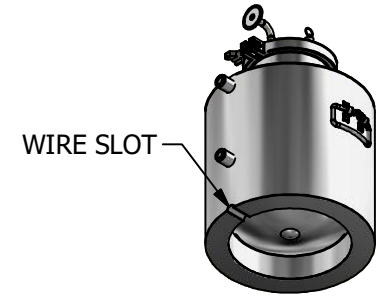
REVISIONS				
ZONE	REV	DESCRIPTION	DATE	APPROVED
	-	PRODUCTION RELEASE	2/11/2021	CD Morland



SECTION B-B
SCALE 0.08 : 1



SECTION E-E
SCALE 0.2 : 1



NOTES:

- ALL WETTED SURFACE MATERIAL: 316L SS
- WORKING VOLUME: 10 LITERS
- TOP COVER PORTS:
INLET PORT: 1.0" SANITARY TRI-CLAMP
OUTLET PORT: 1.0" SANITARY TRI-CLAMP
GAUGE PORT: 1.0" SANITARY TRI-CLAMP
- GASKET MATERIAL: EPDM
- THE DESIGN PRESSURE OF THE INTERNAL VESSEL & JACKET IS 75 PSI [5.1 BAR] @ 212°F [100°C]
- THE VESSEL MUST BE EQUIPPED WITH A MECHANICAL RELIEF VALVE THAT IS RATED FOR VESSEL DESIGN PRESSURE
- THE PROCESS VESSEL MUST BE JACKETED ON THE OUTSIDE, JACKET MATERIAL: 304 SS
- THE VESSEL TANK MUST BE INSULATED WITH ARMAFLEX HT AND ENCLOSED WITH LAYER 304 SS CLADDING.
- THE JACKET FLUID IS REFRIGERATION COOLANT, INLET/OUTLET PORT: 1/2" FNPT
- JACKET HAS BAFFLES TO ENSURE FLUID CIRCULATES EVENLY AROUND THE PROCESS FLUID VESSEL.
- ALL SURFACES ARE TO BE PASSIVATED AND ELECTRO-POLISHED.
- INTERNAL WETTED SURFACES ARE 16 RA FINISH; EXTERNAL EXPOSED SURFACES ARE 20 RA FINISHED.
- THE VESSEL IS DESIGNED TO BE STEAM STERILIZED AT 126 C FOR 60 MINUTES.

DRAWN YA Zanki	2/11/2021
CHECKED OS Ahmad	2/11/2021
APPROVED CD Morland	2/11/2021

International Filter Products

7914 Ajay Dr. PHONE: 818-504-8115
Sun Valley, CA 91352 FAX: 818-841-2947
email: www.internationalfilterproducts.com

UNLESS OTHERWISE SPECIFIED
DIMENSIONS ARE IN INCHES

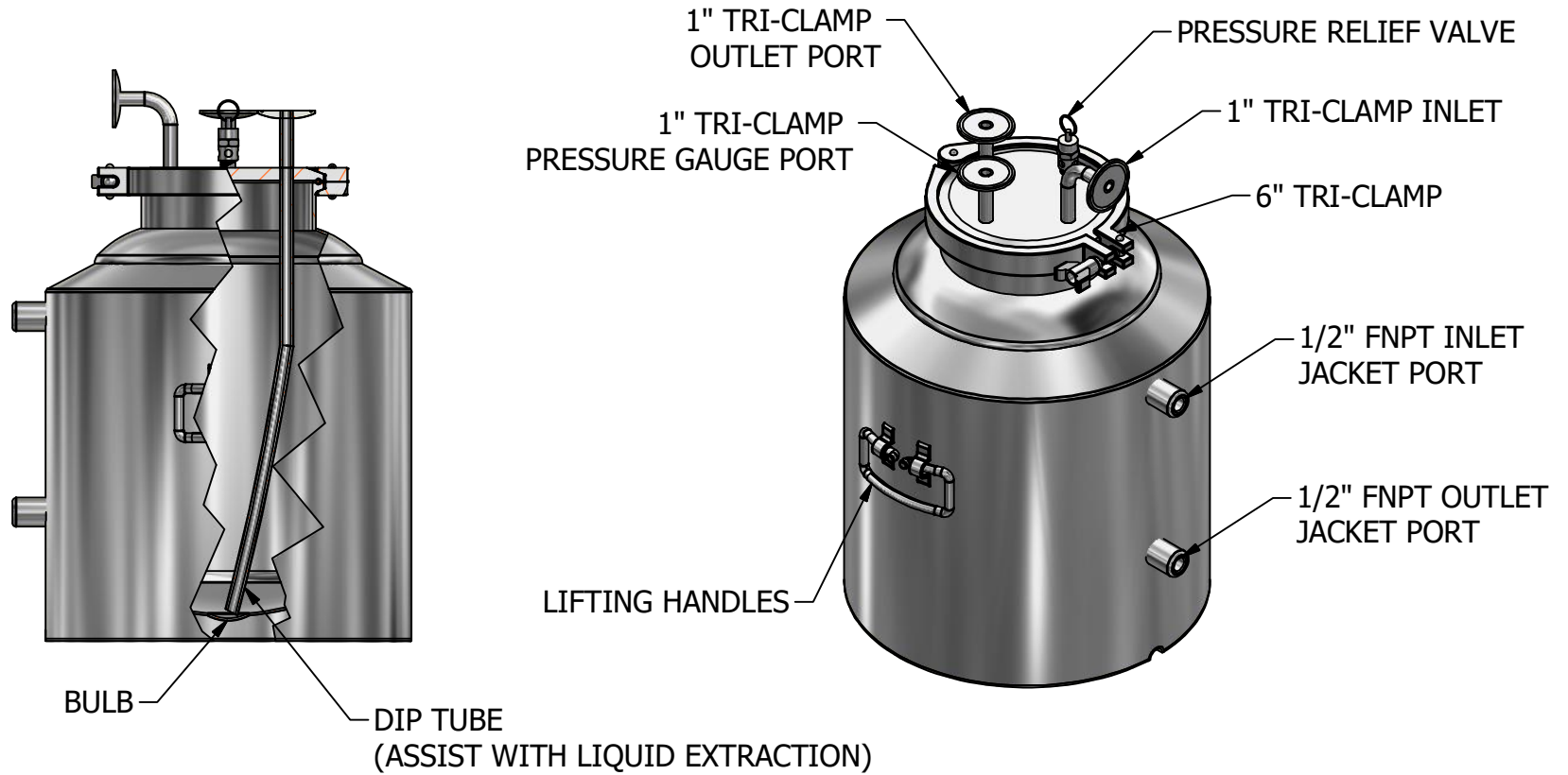
DECIMALS FRACTIONS +/- 1/16
X +/- .030 ANGLES +/- 1/2
XX +/- .015 SURFACE ROUGHNESS 125
XXX +/- .005

CONCENTRICITIES .010 (FIM)
INTERNAL RADII .015~.030
BREAK CORNERS .005~.015

TITLE BIOREACT, JACK, 10, 316L SS			
SIZE A	ISOF NO	DWG NO IFP-021-1110-EJ	REV -
SCALE NA	WEIGHT 61.101 lbmass	SHEET 1 OF 2	

THIS DOCUMENT IS FOR REFERENCE ONLY AND IS PROPRIETARY INFORMATION BELONGING TO INTERNATIONAL FILTER PRODUCTS UNAUTHORIZED COPIES OR USE FOR OTHER PURPOSES STRICTLY PROHIBITED.

REVISIONS				
ZONE	REV	DESCRIPTION	DATE	APPROVED
	-	PRODUCTION RELEASE	2/11/2021	CD Morland



DRAWN YA Zanki CHECKED OS Ahmad APPROVED CD Morland	2/11/2021 2/11/2021 2/11/2021	International Filter Products 7914 Ajay Dr. Sun Valley, CA 91352 PHONE: 818-504-8115 FAX: 818-941-2947 email: www.internationalfilterproducts.com	TITLE PRESS POT, JACK, 10, 316L SS
UNLESS OTHERWISE SPECIFIED DIMENSIONS ARE IN INCHES DECIMALS FRACTIONS +/- 1/16 X +/- .030 ANGLES +/- 1/2 XX +/- .015 SURFACE ROUGHNESS 125 XXX +/- .005 CONCENTRICITIES .010 (FIM) INTERNAL RADII .015~.030 BREAK CORNERS .005~.015		SIZE A	ISOF NO DWG NO IFP-021-1110-EJ
SCALE	WEIGHT	SHEET	REV
NA	61.101 lbmass	2 OF 2	-