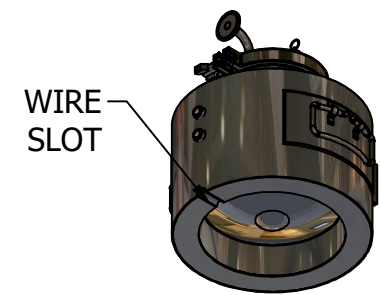
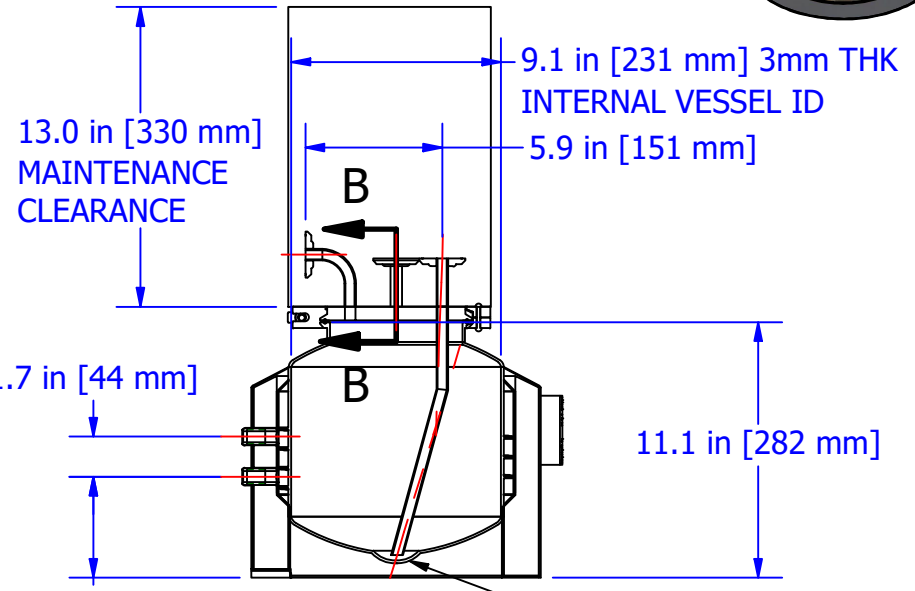
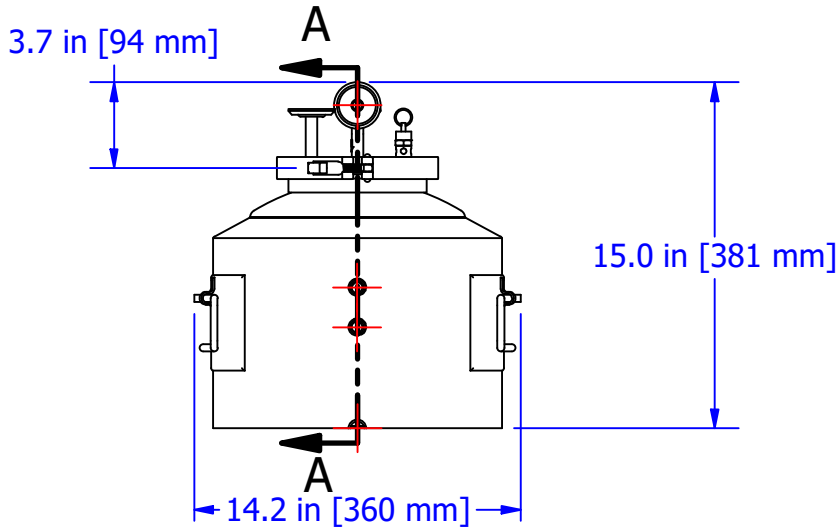
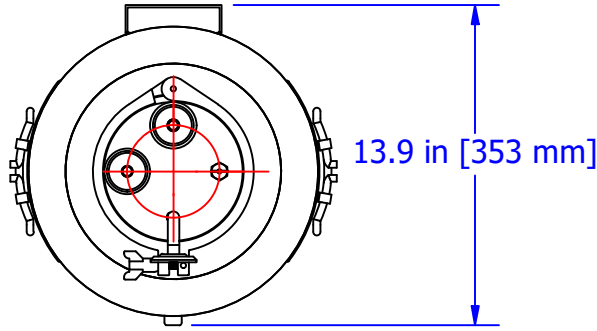


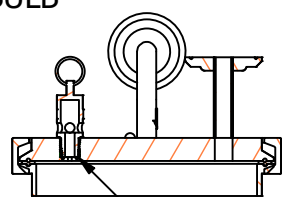
THIS DOCUMENT IS FOR REFERENCE ONLY AND IS PROPRIETARY INFORMATION BELONGING TO INTERNATIONAL FILTER PRODUCTS. UNAUTHORIZED COPIES OR USE FOR OTHER PURPOSES STRICTLY PROHIBITED.

REVISIONS				
ZONE	REV	DESCRIPTION	DATE	APPROVED
	-	Sales Drawing	8/23/2022	CD Morland



4.4 in [111 mm]

SECTION A-A
SCALE 0.12:1



SECTION B-B
SCALE 0.2:1

NOTES:

- 1.0 ALL WETTED SURFACE MATERIAL: 316L SS
- 2.0 WORKING VOLUME: 5 LITERS
- 3.0 TOP COVER PORTS:
INLET PORT: 1.0" SANITARY TRI-CLAMP
OUTLET PORT: 1.0" SANITARY TRI-CLAMP
GAUGE PORT: 1.0" SANITARY TRI-CLAMP
- 4.0 GASKET MATERIAL: TO BE DETERMINED BASED ON PROCESSING METHOD
- 5.0 THE DESIGN PRESSURE OF THE INTERNAL VESSEL & JACKET IS 75 PSI [5.1 BAR] @ 212°F [100°C]
- 6.0 THE VESSEL MUST BE EQUIPPED WITH A MECHANICAL RELIEF VALVE THAT IS RATED FOR VESSEL DESIGN PRESSURE
- 7.0 THE PROCESS VESSEL MUST BE JACKETED ON THE OUTSIDE, JACKET MATERIAL: 304 SS
- 8.0 THE VESSEL TANK MUST BE INSULATED WITH ARMAFLEX HT AND ENCLOSED WITH LAYER 304 SS CLADDING.
- 9.0 THE JACKET FLUID IS REFRIGERATION COOLANT, INLET/OUTLET PORT: 1/2" FNPT
- 10.0 JACKET HAS BAFFLES TO ENSURE FLUID CIRCULATES EVENLY AROUND THE PROCESS FLUID VESSEL.
- 11.0 ALL SURFACES ARE TO BE PASSIVATED AND ELECTRO-POLISHED.
- 12.0 INTERNAL WETTED SURFACES ARE 16 RA FINISH; EXTERNAL EXPOSED SURFACES ARE 20 RA FINISHED.
- 13.0 THE VESSEL IS DESIGNED TO BE STEAM STERILIZED AT 126 C FOR 60 MINUTES.

DRAWN	EA Flores	8/19/2022
CHECKED	YA Zanki	8/23/2022
APPROVED	CD Morland	8/23/2022

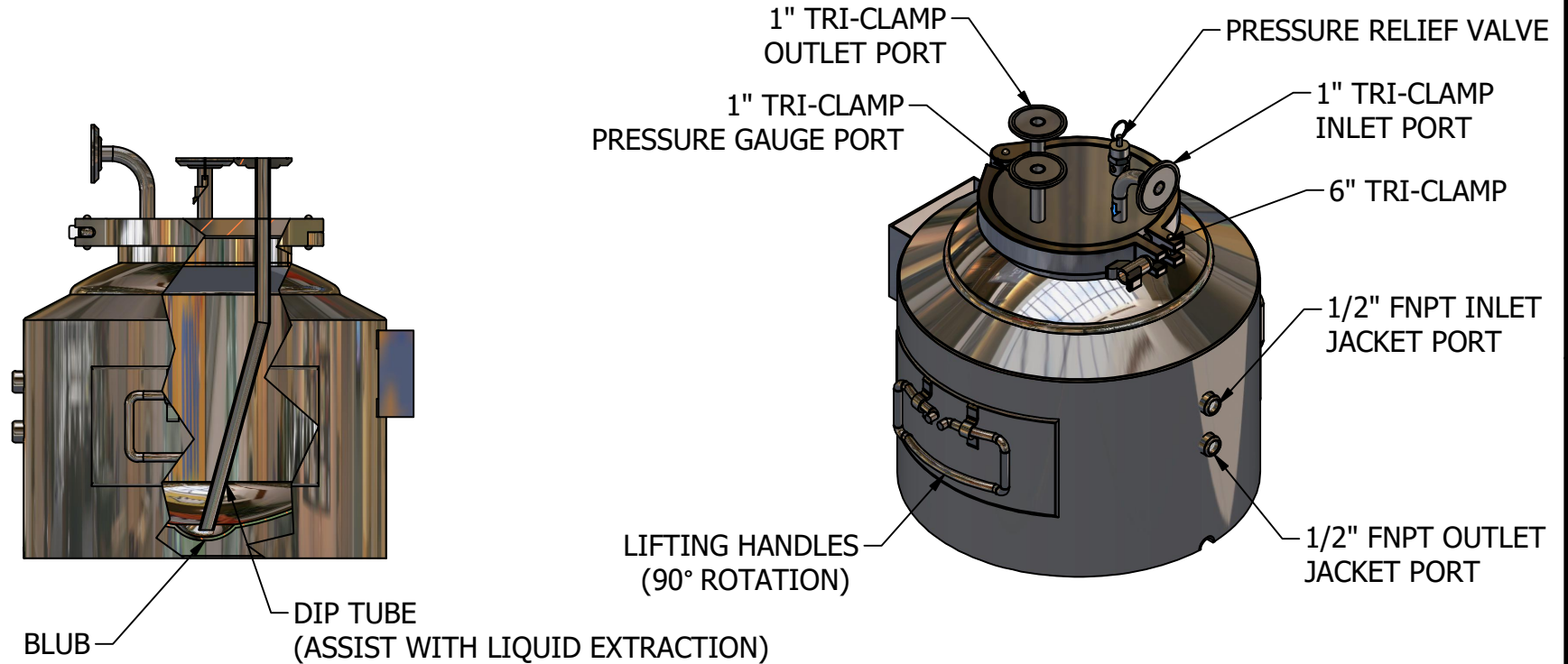
International Filter Products
17914 Ajay Dr. PHONE: 818-504-8115
SUN VALLEY, CA 91352 FAX: 818-841-2947
email: charlie@internationalfilterproducts.com

UNLESS OTHERWISE SPECIFIED DIMENSIONS ARE IN INCHES
DECIMALS FRACTIONS +/- 1/16
X +/- .030 ANGLES +/- 1/2
XX +/- .015 SURFACE ROUGHNESS 125
XXX +/- .005
CONCENTRICITIES .010 (FIM)
INTERNAL RADII .015~.030
BREAK CORNERS .005~.015

TITLE			
Bioreact, Jack, 5L, 316L SS			
SIZE	ISOF NO	DWG NO	REV
A		IFP-021-1105-EJ	-
SCALE	NA	WEIGHT	SHEET
		52.089 lbmass	1 OF 2

THIS DOCUMENT IS FOR REFERENCE ONLY AND IS PROPRIETARY INFORMATION BELONGING TO INTERNATIONAL FILTER PRODUCTS UNAUTHORIZED COPIES OR USE FOR OTHER PURPOSES STRICTLY PROHIBITED.

REVISIONS				
ZONE	REV	DESCRIPTION	DATE	APPROVED
	-	Sales Drawing	8/23/2022	CD Morland



DRAWN EA Flores 8/19/2022 CHECKED YA Zanki 8/23/2022 APPROVED CD Morland 8/23/2022	International Filter Products 7914 Ajay Dr. SUN VALLEY, CA 91352 PHONE: 818-504-8115 FAX: 818-841-2947 email: charlie@internationalfilterproducts.com	TITLE Bioreact, Jack, 5L, 316L SS
UNLESS OTHERWISE SPECIFIED DIMENSIONS ARE IN INCHES DECIMALS FRACTIONS +/- 1/16 X +/- .030 ANGLES +/- 1/2 XX +/- .015 SURFACE ROUGHNESS 125 XXX +/- .005 CONCENTRICITIES .010 (FIM) INTERNAL RADII .015~.030 BREAK CORNERS .005~.015	SIZE A	ISOF NO DWG NO IFP-021-1105-EJ
SCALE NA	WEIGHT 52.089 lbmass	SHEET 2 OF 2