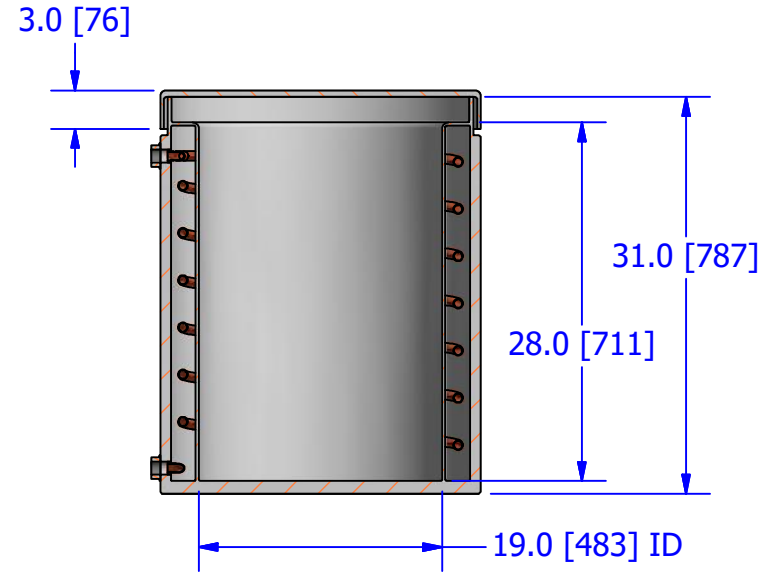
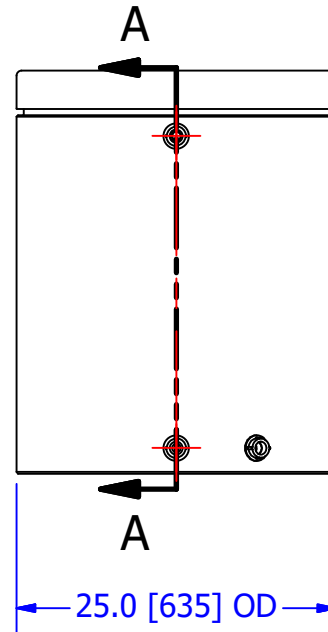
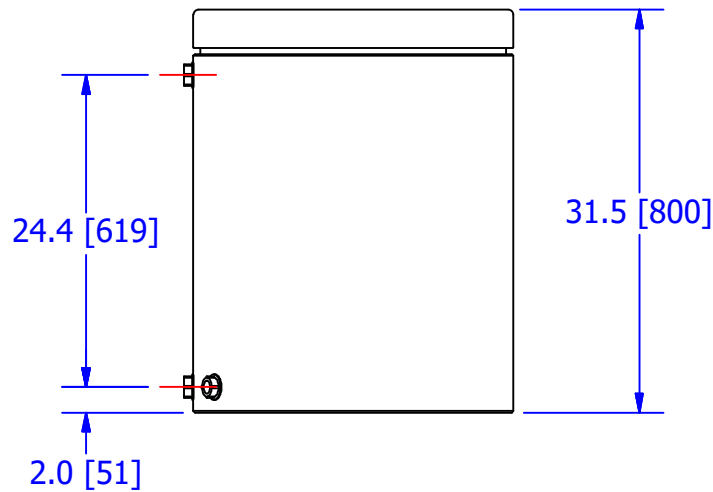
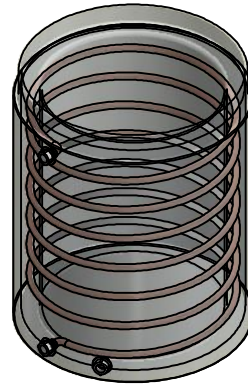
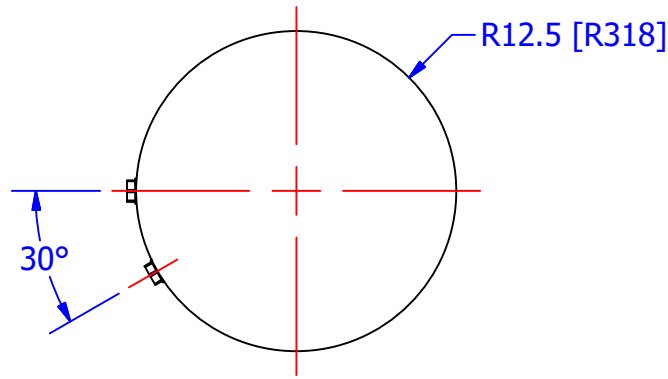


THIS DOCUMENT IS FOR REFERENCE ONLY AND IS PROPRIETARY INFORMATION BELONGING TO INTERNATIONAL FILTER PRODUCTS UNAUTHORIZED COPIES OR USE FOR OTHER PURPOSES STRICTLY PROHIBITED.

REVISIONS				
ZONE	REV	DESCRIPTION	DATE	APPROVED
	A	Added Notes and identified connections	10/1/2012	CD Morland
	B	Added view to show coils	4/16/2019	YA Zanki
	C	ADDED DIMENSIONS, CHANGED NOTES, AND ADDED 2nd PAGE.	1/24/2020	CD Morland



SECTION A-A
SCALE 1 / 15

- NOTES:
- 1.0 TANK MATERIAL IS HDPE.
 - 2.0 THE COPPER TUBING COIL IS 3/4" AND FORMS A HELICOIL AROUND THE INNER PIPE OF THE TANK. THE TUBING IS RATED @ 75 PSI [5.1 BAR] @ 104 °F [40 °C].
 - 3.0 THE FILLER PORT PURPOSE IS TO PERMIT THE 50% GLYCOL WATER SOLUTION TO BE PUMPED INTO AND/OR DRAINED FROM COOLING JACKET.

DRAWN YA Zanki 9/28/2012	CHECKED CD Morland 9/28/2012	APPROVED CD Morland 9/28/2012	International Filter Products 7914 Ajay Dr. SUN VALLEY, CA 91352 PHONE: 818-504-8115 FAX: 818-941-2947 email: sales@internationalfilterproducts.com	
UNLESS OTHERWISE SPECIFIED DIMENSIONS ARE IN INCHES DECIMALS FRACTIONS +/- 1/16 X +/- .030 ANGLES +/- 1/2 XX +/- .015 SURFACE ROUGHNESS 125 ✓ XXX +/- .005			TITLE JACKETED TANK, 100L, HDPE	
SIZE A	ISOF NO NA	DWG NO FSF00001.02	REV C	SCALE 1 OF 2
WEIGHT 46 LBS [21 KG]		SHEET		

THIS DOCUMENT IS FOR REFERENCE ONLY AND IS PROPRIETARY INFORMATION BELONGING TO INTERNATIONAL FILTER PRODUCTS UNAUTHORIZED COPIES OR USE FOR OTHER PURPOSES STRICTLY PROHIBITED.

REVISIONS				
ZONE	REV	DESCRIPTION	DATE	APPROVED
	A	Added Notes and identified connections	10/1/2012	CD Morland
	B	Added view to show coils	4/16/2019	YA Zanki
	C	ADDED DIMENSIONS, CHANGED NOTES, AND ADDED 2nd PAGE.	1/24/2020	CD Morland

3/4" FNPT JACKET INLET PORT

3/4" FNPT JACKET OUTLET PORT

3/4" FNPT JACKET FILLER PORT

0.75" COPPER CIRCULATION COIL

DRAWN YA Zanki	9/28/2012	International Filter Products 7914 Ajay Dr. PHONE: 818-504-8115 SUN VALLEY, CA 91352 FAX: 818-841-2947 email:sales@internationalfilterproducts.com			
CHECKED CD Morland	9/28/2012				
APPROVED CD Morland	9/28/2012				
UNLESS OTHERWISE SPECIFIED DIMENSIONS ARE IN INCHES					
DECIMALS X +/- .030	FRACTIONS +/- 1/16	TITLE JACKETED TANK, 100L, HDPE			
XX +/- .015	ANGLES +/- 1/2				
XXX +/- .005	SURFACE ROUGHNESS 125				
CONCENTRICITIES .010 (FIM)					
INTERNAL RADII .015~.030					
BREAK CORNERS .005~.015		SIZE A	ISOF NO	DWG NO FSF00001.02	REV C
SCALE NA		WEIGHT 46 LBS (21 KG)	SHEET 2 OF 2		