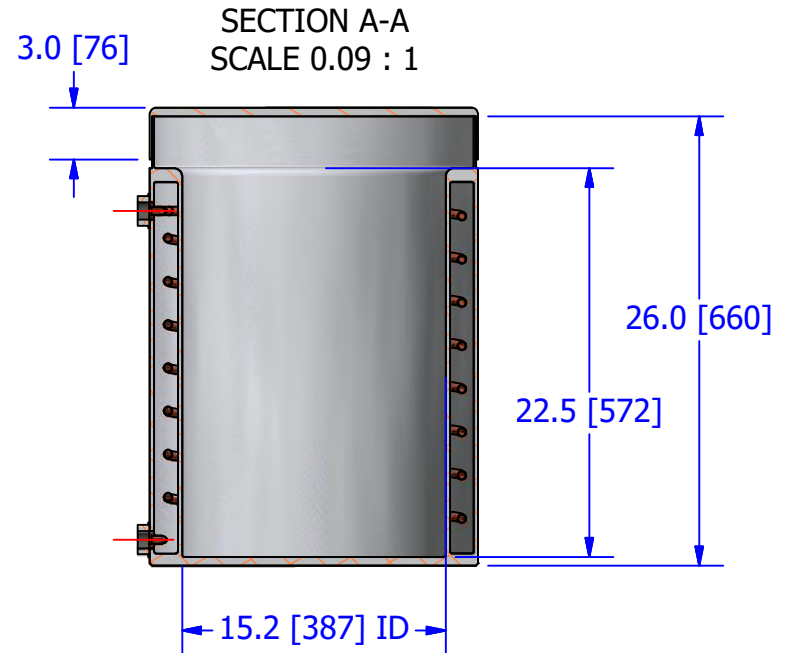
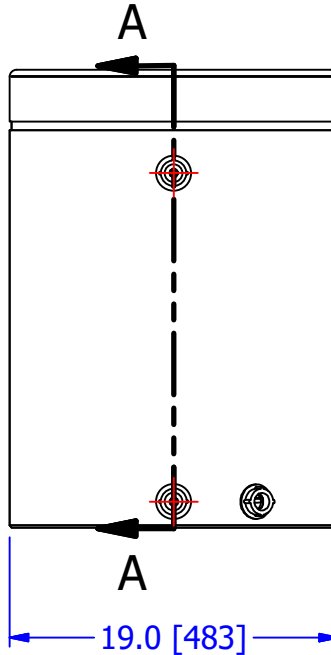
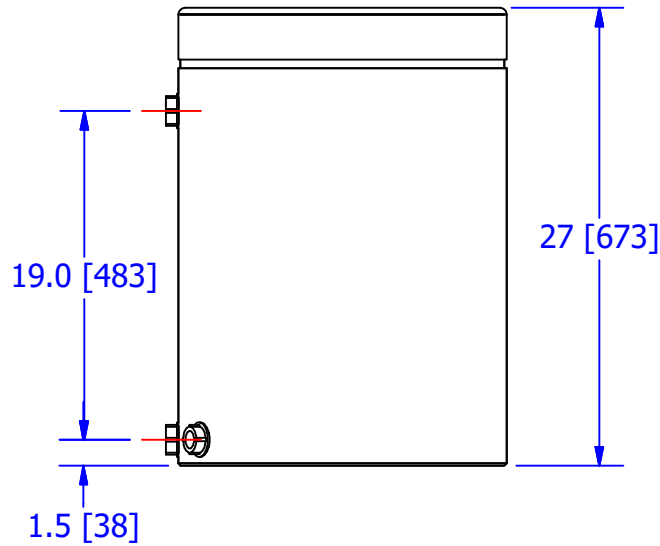
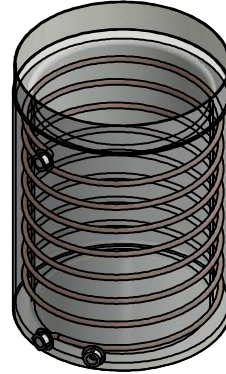
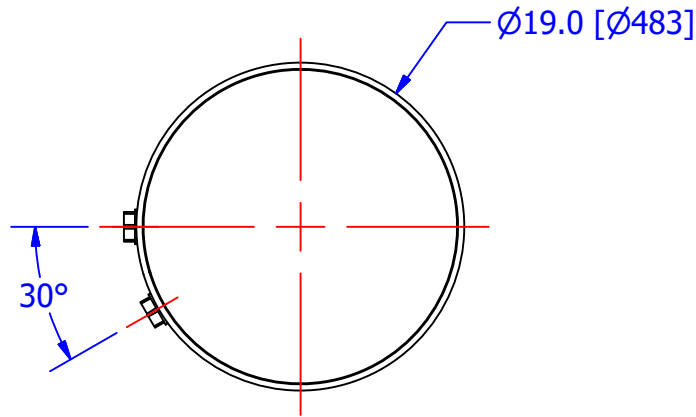


THIS DOCUMENT IS FOR REFERENCE ONLY AND IS PROPRIETARY INFORMATION BELONGING TO INTERNATIONAL FILTER PRODUCTS. UNAUTHORIZED COPIES OR USE FOR OTHER PURPOSES STRICTLY PROHIBITED.

REVISIONS				
ZONE	REV	DESCRIPTION	DATE	APPROVED
	-	PRODUCTION RELEASE	10/5/2012	CD Morland
	A	ADDED DIMENSIONS, CHANGED NOTES, AND ADDED 2nd PAGE.	1/22/2020	CD Morland



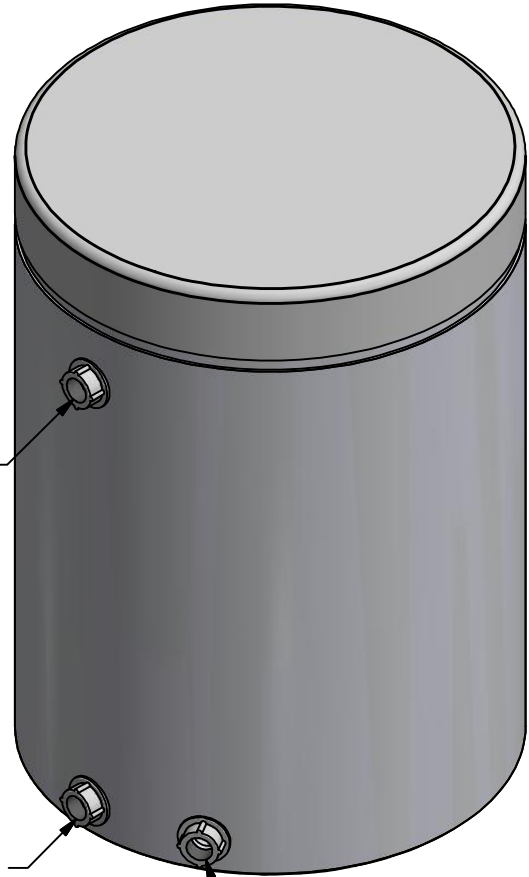
- NOTES:
- 1.0 TANK MATERIAL IS HDPE.
  - 2.0 THE COPPER TUBING COIL IS 1/2" AND FORMS A HELICOIL AROUND THE INNER PIPE OF THE TANK. THE TUBING IS RATED @ 75 PSI [5.1 BAR] @ 104 °F [40 °C].
  - 3.0 THE FILLER PORT PURPOSE IS TO PERMIT THE 50% GLYCOL WATER SOLUTION TO BE PUMPED INTO AND/OR DRAINED FROM COOLING JACKET.

DRAWN YA ZANKI	10/5/2012	<b>International Filter Products</b>	
CHECKED CD Morland	10/5/2012	7914 Ajay Dr. SUN VALLEY, CA 91352	PHONE: 818-504-8115 FAX: 818-841-2947 sales@internationalfilterproducts.com
APPROVED CD Morland	10/5/2012	TITLE <b>JACKETED TANK, 50L, HDPE</b>	
UNLESS OTHERWISE SPECIFIED DIMENSIONS ARE IN INCHES		SIZE <b>A</b>	REV <b>A</b>
DECIMALS X +/- .030	FRACTIONS +/- 1/16	DWG NO <b>FSF0001.01</b>	SCALE NA
XX +/- .015	ANGLES +/- 1/2	WEIGHT 35 LBS [16 KG]	SHEET 1 OF 2
XXX +/- .005	SURFACE ROUGHNESS 125		
CONCENTRICITIES .010 (FIM) INTERNAL RADII .015~.030 BREAK CORNERS .005~.015			

THIS DOCUMENT IS FOR REFERENCE ONLY AND IS PROPRIETARY INFORMATION BELONGING TO INTERNATIONAL FILTER PRODUCTS UNAUTHORIZED COPIES OR USE FOR OTHER PURPOSES STRICTLY PROHIBITED.

REVISIONS				
ZONE	REV	DESCRIPTION	DATE	APPROVED
	-	PRODUCTION RELEASE	10/5/2012	CD Morland
	A	ADDED DIMENSIONS, CHANGED NOTES, AND ADDED 2nd PAGE.	1/22/2020	CD Morland

D  
C  
B  
A



3/4" FNPT JACKET INLET PORT

3/4" FNPT JACKET OUTLET PORT

3/4" FNPT JACKET FILLER PORT

0.5" COPPER CIRCULATION COIL



DRAWN YA ZANKI	10/5/2012
CHECKED CD Morland	10/5/2012
APPROVED CD Morland	10/5/2012

**International Filter Products**  
 7914 Ajay Dr. PHONE: 818-504-8115  
 SUN VALLEY, CA 91352 FAX: 818-841-2947  
 sales@internationalfilterproducts.com

UNLESS OTHERWISE SPECIFIED DIMENSIONS ARE IN INCHES  
 DECIMALS FRACTIONS +/- 1/16  
 X +/- .030 ANGLES +/- 1/2  
 XX +/- .015 SURFACE ROUGHNESS 125  
 XXX +/- .005  
 CONCENTRICITIES .010 (FIM)  
 INTERNAL RADII .015~.030  
 BREAK CORNERS .005~.015

TITLE <b>JACKETED TANK, 50L, HDPE</b>			
SIZE <b>A</b>	ISOF NO	DWG NO <b>FSF0001.01</b>	REV <b>A</b>
SCALE NA	WEIGHT 35 LBS (16 KG)	SHEET <b>2</b> OF <b>2</b>	

4 3 2 1

4 3 2 1