



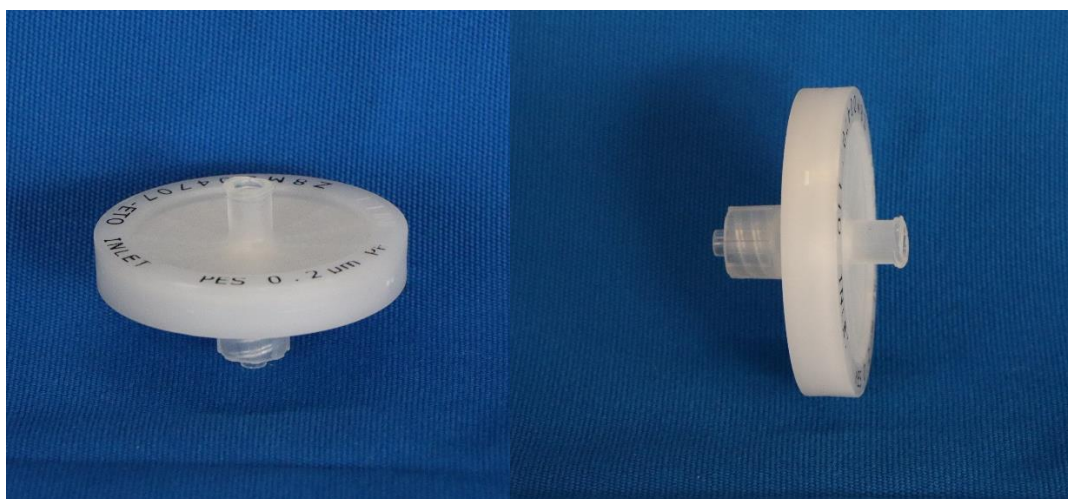
International Filter Products

Revolutionary systems for your industry

PureFlo® D40C Series PTFE 0.2µm – Single Layer Disc Filters

The PureFlo® D40C Hydrophobic PTFE Filter Discs (40mm diameter) are expertly engineered for specialized filtration applications, including Oil Base Solutions, Hormones, Alcohol Base Solutions, Testosterone, and DMSO in laboratory, pilot, and small-scale settings, particularly in pharmaceutical and biotechnological industries. These hydrophobic PTFE membrane filters are ideal for handling these specific applications, providing exceptional chemical resistance and minimizing extractable, which is crucial for maintaining the purity and integrity of sensitive compounds. Adhering to strict GMP guidelines and <USP 797> standards, the filters are manufactured without adhesives or binders and are thermally sealed to ensure performance integrity. Each unit undergoes comprehensive integrity testing. Compliance with ISO 13485 & ISO 14001 quality standards and the absence of animal-derived components ensure the highest quality and safety standards.

PureFlo® D40C – Series Disc Filter



LFLM Connections

Inlet:

Luer Lock Female

Outlet:

Luer Lock Male



International Filter Products
Revolutionary systems for your industry



7914 Ajay Drive, Sun Valley, CA 91352
www.internationalfilterproducts.com
sales@internationalfilterproducts.com
Phone: (818) 504-8115



International Filter Products

Revolutionary systems for your industry

Application

- Oil Base Solution
- Testosterone
- DMSO
- Low Flow Filtration
- Hormones
- Bio Bags Compatible
- Biologics
- Product Sterilization
- Alcohol Base Solution
- Pharmaceuticals
- Ketones
- Organic Solvent

Technical Data Sheet

Micron Rating:

Final Membrane: 0.2 μm PTFE [Sterilizing Grade Membrane]

Effective Filtration Area:

D40 Series; 1.64 in^2 (10.6 cm^2)

Materials of Construction:

Membrane: Pharmaceutical Grade PTFE (Polytetrafluoroethylene) Sterilizing Grade

Membrane Feature: Hydrophobic, Low Protein Binding, High Flow Rate

Shell, Cage, Core, End Caps: Polypropylene

Sealing: Thermally Bonded

Operating Conditions:

Maximum Working Pressure: **Liquid:** 5.5 bar (80psi) at 72°F/22°C

Gas: 4.1 bar (60psi) at 72°F/22°C

Minimum Burst Pressure: 8.3 bar (120psi) at 72°F/22°C

Maximum Forward Differential Pressure: 4.1 bar (60psi) at 72°F/22°C

Maximum Reverse Differential Pressure: 2.1 bar (30psi) at 72°F/22°C

Maximum Operating Temperature: 176°F/80°C



International Filter Products
Revolutionary systems for your industry



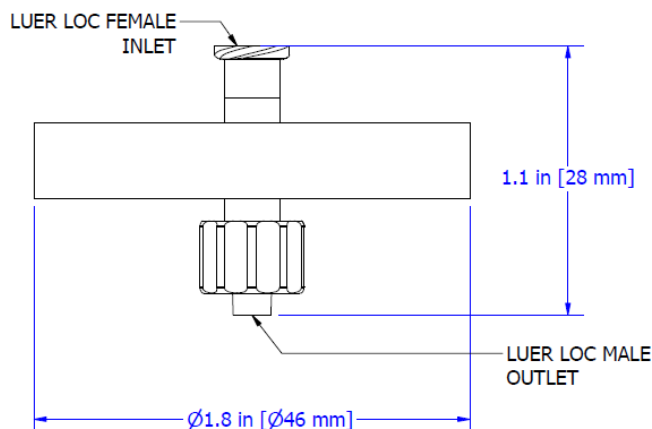
7914 Ajay Drive, Sun Valley, CA 91352
www.internationalfilterproducts.com
sales@internationalfilterproducts.com
Phone: (818) 504-8115



International Filter Products

Revolutionary systems for your industry

Nominal Dimension:



Typical Filtered Volume:

- 60ml-250ml [Oil base solution]
- 120ml - 500ml [Alcohol base solution]

*Volume Filtered is an estimated range for Sterile Compounding, Pharmaceutical & Biological applications. The Filtration Volume is significantly influenced by your solution's viscosity, active ingredients, etc., properties. The best way to determine the exact filtration volume per filter is to try it with your solution.

Hold-Up Volume (Approx.):

Upstream Volume: 1.34ml

Downstream Volume: 0.95ml

Filter Integrity:

The finished product was sampled and shown to exhibit a minimum bubble point of ≥ 17.5 psi (1.2 bar) in 70%IPA / 40% water (at 22°C).



International Filter Products
Revolutionary systems for your industry



7914 Ajay Drive, Sun Valley, CA 91352
www.internationalfilterproducts.com
sales@internationalfilterproducts.com
Phone: (818) 504-8115



International Filter Products

Revolutionary systems for your industry

Bacterial Retention ASTM F838-05:

The filters are quantitatively retentive towards *Brevundimonas diminuta* (ATCC #19146) at a minimum challenge level of 10^7 CFU per cm^2 of filtration area, consistent with ASTM F838-05

Sterilization:

International Filter Products Inc. mostly stocks ETO Sterilized (Factory Sterilized) Filter Discs.

Ethylene Oxide (ETO) Sterilization Process complies with ISO 10993-7:2008 Biological Evaluation of Medical Devices - Part 7. Each filter is subjected to a validated ETO process. Sterilization of the fluid path has been validated per ANSI/AAMI/ISO 11135 which provides a minimum sterility assurance level (SAL) of 10^{-6} .

Warning: The filters cannot be sterilized by steam-in-place (SIP)

Regulatory Compliance 21CFR Part 177 & USP <88>:

The filters are constructed with polypropylene resins and filtration media in compliance with 21CFR Part 177 of the US Code of Federal Regulations and USP Class VI Biological USP <88>Test for Plastic.

USP <85> Bacterial Endotoxins:

The filters were tested to confirm that an aqueous extraction of this product contains <0.25 EU/ml as determined by the Limulus Amebocyte Lysate (LAL) Test

USP <645> Conductivity USP:

Effluent is tested during the manufacturing process and shown to meet the requirements for USP Sterile Water for Injection for conductivity.

USP <87> / ISO 10993-5 Cytotoxicity:

Extract from this product is non-Cytotoxic.

Hemolysis ASTM F756-17:

Extract from this product is non-Hemolytic.

Human and Veterinarian Use:

The product is safe for Human and Veterinarian use. CGMP CFR part 210 & 211, the additional requirement of 21 CFR part 600 and 21 CFR part 680 are applicable to the aseptic manufacturing process.

Animal-Derived Components & TSE/BSE Risk:

No animal-derived material is intentionally added or used during the manufacture of this product.

Shelf Life:

The D40C Discs have a shelf life of 3 years from the date of sterilization.

Ethylene Oxide (ETO) Sterilized product packaging provides adequate protection to maintain a sterile barrier throughout the product's distribution, handling, and 3-year shelf life.

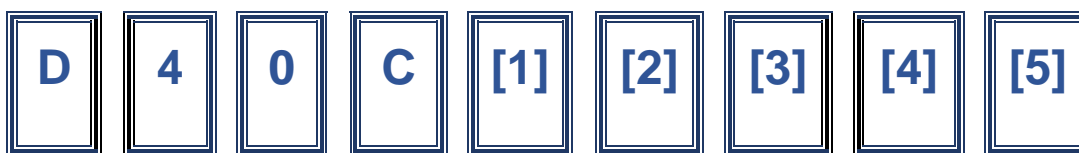


International Filter Products

Revolutionary systems for your industry

D40C - Series PTFE Disc Capsule (Pharmaceutical Grade)

Ordering Guide



[1]	[2] Inlet and [3] Outlet	[4]	[5]
Micron Rating [Pre-Filter/Final Filter]	Inlet and Outlet Connection	Grade	Sterilization
<ul style="list-style-type: none"> F020 : 0.2 μm Note: All final membranes are sterilizing grade.	<ul style="list-style-type: none"> 1H : 1/8"-3/16" Hose Barb 2H : 3/16"-1/4" Hose Barbs LF : Luer Loc Female LM : Luer Loc Male 	-PH Pharmaceutical Grade	-ETO Ethylene Oxide Sterilization

Example:

D40CF020LFLM-PH-ETO

PureFlo® D40C Series Disc Capsule, Single Layer 0.2μm PTFE membrane (Sterilizing Grade), Filtration Area 10.6 cm², Luer Loc Female Inlet and Luer Loc Male Outlet, Pharmaceutical Grade (PH), ETO Sterilized (Factory Sterilized)

Part Number

Description



International Filter Products
Revolutionary systems for your industry



7914 Ajay Drive, Sun Valley, CA 91352
www.internationalfilterproducts.com
sales@internationalfilterproducts.com
Phone: (818) 504-8115



International Filter Products

Revolutionary systems for your industry

Special Configuration:

Layer Option:

- Single Layer

Micron Rating Option:

- 0.1 Micron
- 0.2 Micron
- 0.45 Micron
- 1.0 Micron

Inlet Fitting Option:

- 1H : 1/8" Hose Barb
- 1Q : 1/8" Male Quick Coupling with Metal Latch
- 2H : 1/4" Hose Barbs
- 2H-FB : 1/4" Hose barbs with Filling Bell
- 2Q : 1/4" Male Quick Coupling for Metal Latch
- 2N : 1/4" MNPT
- 3H : 3/8" Hose Barbs
- LF : Luer Loc Female
- MT : 1/2" Tri clamps

Outlet Fitting Option:

- 1H : 1/8" Hose Barb
- 1Q : 1/8" Male Quick Coupling with Metal Latch
- 2H : 1/4" Hose Barbs
- 2H-FB : 1/4" Hose barbs with Filling Bell
- 2Q : 1/4" Male Quick Coupling for Metal Latch
- 2N : 1/4" MNPT
- 3H : 3/8" Hose Barbs
- LM : Luer Loc Male
- MT : 1/2" Tri clamps