



International Filter Products

Revolutionary systems for your industry

CRT-PP Series Polypropylene Filter Cartridge

CRT-PP Membrane cartridges are designed to excel in microelectronics applications, particularly for the handling of bulk chemicals and photoresists, offering an economical alternative to fluoropolymer-based cartridges. Crafted from all-polypropylene construction, CRT-PP cartridges are a cost-effective choice. Each cartridge is meticulously fabricated in a clean room environment, pre-flushed with ultrapure 18 megohm-cm DI water and subjected to rigorous 100% integrity testing in an ISO-certified facility. Key features include exceptional membrane retention capabilities, a wide range of configurations and ratings to suit diverse needs, and the assurance of quality through comprehensive integrity testing. CRT-PP cartridges provide a reliable and cost-efficient solution for microelectronics processes, ensuring high-performance filtration with uncompromised quality and integrity.

Application

- Buffered Oxide Etch
- Point-of-Use Deionized Rinse
- Electroplating of Copper
- Electronics grade chemicals
- Bulk DI water systems
- Nickel Plating
- Dilute Hydrofluoric Acid
- Ultrapure Water
- Photoresist

Part Number: CRT-PP-10-XXX-X2S



**CRT-PP Series PP Cartridge - Chemical Grade
222 O-Rings Flat End Cap**



International Filter Products
Revolutionary systems for your industry



7914 Ajay Drive, Sun Valley, CA 91352
www.internationalfilterproducts.com
sales@internationalfilterproducts.com
Phone: (818) 504-8115



International Filter Products

Revolutionary systems for your industry

Technical Data Sheet

Micron Rating:

- 0.10 μm
- 0.20 μm
- 0.45 μm
- 0.65 μm
- 0.80 μm
- 1.0 μm
- 3.0 μm
- 5.0 μm
- 10.0 μm
- 15.0 μm
- 25.0 μm
- 50.0 μm

Effective Filtration Area:

- 5-Inch; 3.75 ft^2 (0.35 m^2)
- 10-Inch; 7.5 ft^2 (0.7 m^2)
- 20-Inch; 15.0 ft^2 (1.4 m^2)
- 30-Inch; 22.5 ft^2 (2.1 m^2)

Materials of Construction:

Media: Polypropylene (PP) Media Chemical Grade

Membrane Feature: Flushed with ultrapure DI water, High Flow Rate

Media Supports: Polypropylene

Shell, Cage, Core, End Caps: Polypropylene

O-Rings: Silicone (Standard)

Sealing: Thermally Bonded

Operating Conditions:

Maximum Forward Differential Pressure: **Liquid:** 5.5 bar (80psi) at 77°F/25°C

Gas: 4.1 bar (60psi) at 77°F/25°C

Minimum Burst Pressure: 8.3 bar (120psi) at 77°F/25°C

Maximum Reverse Differential Pressure: 3.0 bar (44psi) at 68°F/20°C

Maximum Operating Temperature: 176°F/80°C at 0.7 bar (10psi)

[Contact International Filter Products for high-temperature application above 122°F/50°C operating temperature]



International Filter Products
Revolutionary systems for your industry



7914 Ajay Drive, Sun Valley, CA 91352
www.internationalfilterproducts.com
sales@internationalfilterproducts.com
Phone: (818) 504-8115

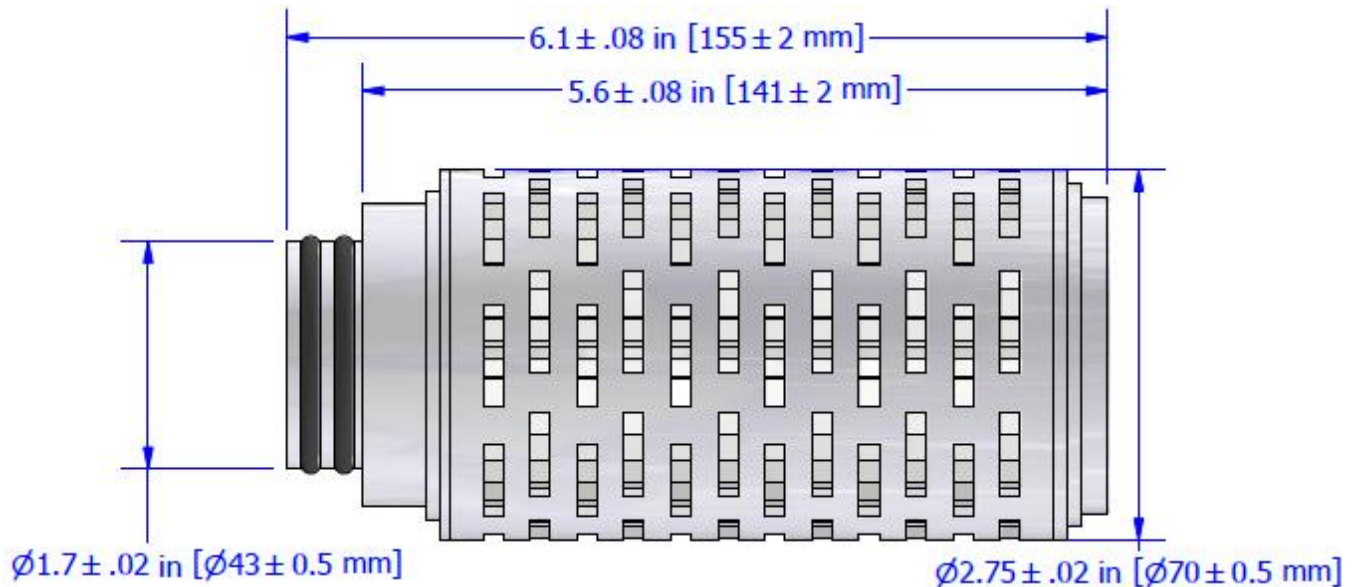


International Filter Products

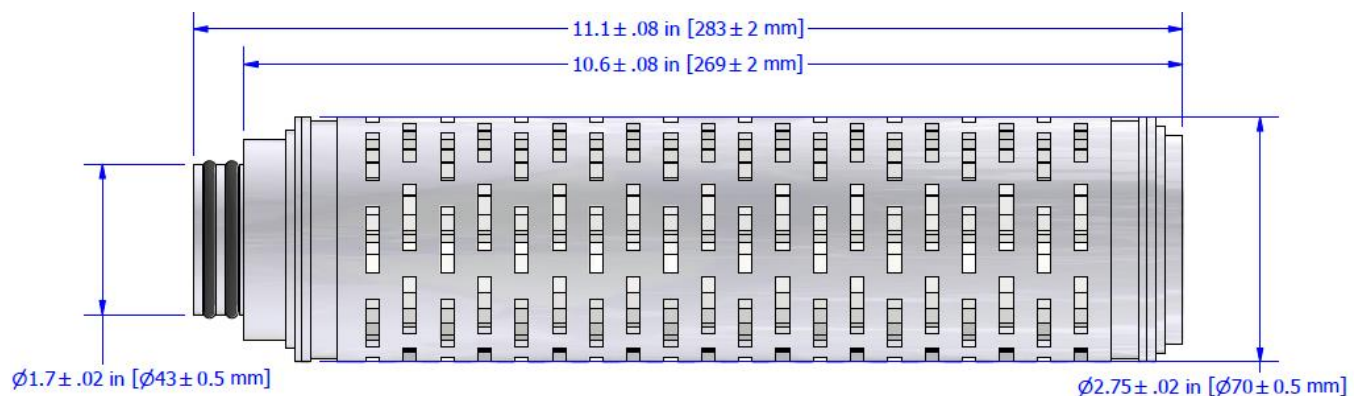
Revolutionary systems for your industry

Nominal Dimension:

Part Number: CRT-PP-05-XXX-X2X



Part Number: CRT-PP-10-XXX-X2X



International Filter Products
Revolutionary systems for your industry



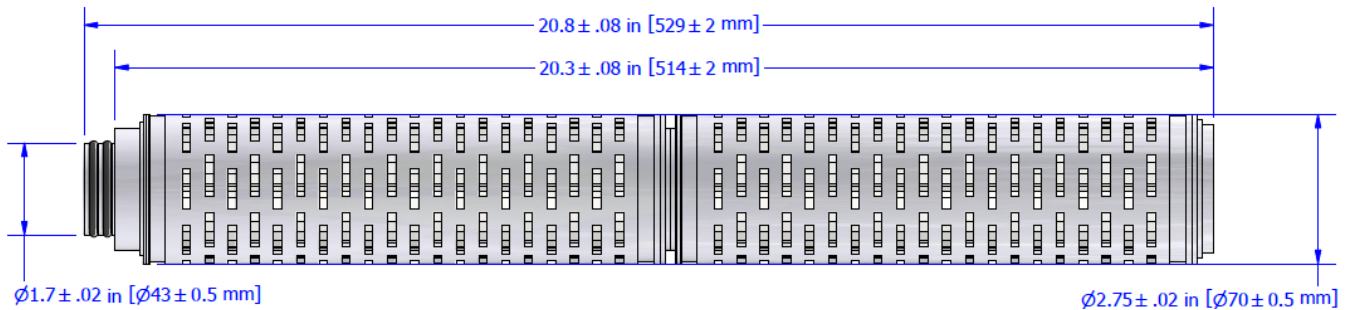
7914 Ajay Drive, Sun Valley, CA 91352
www.internationalfilterproducts.com
sales@internationalfilterproducts.com
Phone: (818) 504-8115



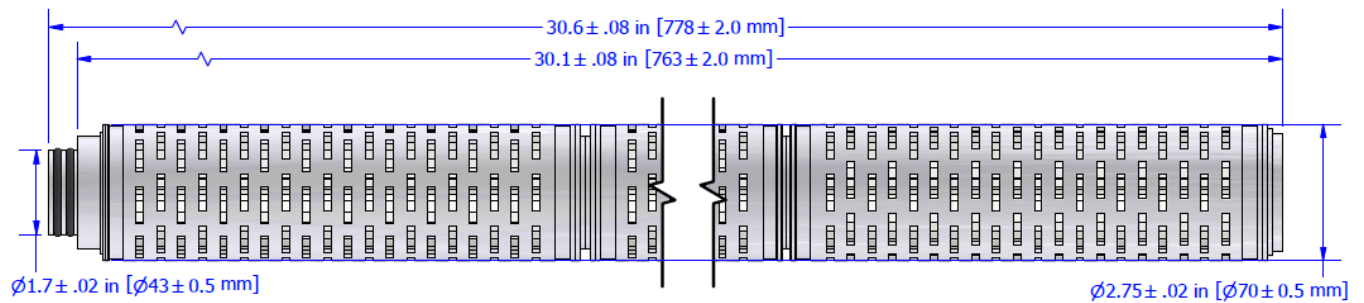
International Filter Products

Revolutionary systems for your industry

Part Number: CRT-PP-20-XXX-X2X



Part Number: CRT-PP-30-XXX-X2X



Typical Filtered Volume:

- 5-Inch; 25L- 200L
- 10-Inch; 50L- 400L
- 20-Inch; 100L- 800L
- 30-Inch; 150L-1,200L



International Filter Products
Revolutionary systems for your industry



7914 Ajay Drive, Sun Valley, CA 91352
www.internationalfilterproducts.com
sales@internationalfilterproducts.com
Phone: (818) 504-8115



International Filter Products

Revolutionary systems for your industry

Performance Attributes:

Water flow rates		
Micron rating	gpm/psid	Lpm/100mbar
0.10 µm	0.9	4.94
0.20 µm	1.85	10
0.45 µm	2.4	13
0.65 µm	4.4	28
0.80 µm	4.7	26
1.0 µm	8	45
3.0 µm	24	135
5.0 µm	40	225
10.0 µm	80	450
15.0 µm	120	675
25.0 µm	200	1,125
50.0 µm	400	2,250



International Filter Products
Revolutionary systems for your industry



7914 Ajay Drive, Sun Valley, CA 91352
www.internationalfilterproducts.com
sales@internationalfilterproducts.com
Phone: (818) 504-8115



International Filter Products

Revolutionary systems for your industry

Sterilization:

Autoclave: The filters can be sterilized by autoclaving for up to 50 cycles at 125 °C (257 °F) for 30 minutes.

Steam-In-Place: The filters can also be sterilized by steam-in-place procedure up to 30 cycles at 135 °C (275 °F) for 30 minutes at less than 0.3 bar differential pressure.

Sanitization: The filters can also be sanitized by hot water or common chemicals that are compatible with filter components.

Cleanliness (particle shedding):

Dry-packed: <1 particles/ml >0.2µm after 6gal @ 1gpm

Data as from open bag and installed, no additional installation flushing.

Metals Extractables:

<50ppb (total)

*In a 10% HNO₃ extraction.

Resistivity Rinse-up:

Resistivity rinse-up to background minus 0.2megohm-cm of feed after 20gal @ 1gpm.

Animal-Derived Components & TSE/BSE Risk:

No animal-derived material is intentionally added or used during the manufacture of this product.

Shelf Life:

The CRT-PP Cartridges have a shelf life of 5 years from the date of manufacture.



International Filter Products
Revolutionary systems for your industry



7914 Ajay Drive, Sun Valley, CA 91352
www.internationalfilterproducts.com
sales@internationalfilterproducts.com
Phone: (818) 504-8115



International Filter Products

Revolutionary systems for your industry

CRT-PP Series PP Cartridge

(Chemical Grade)

Ordering Guide



[1]	[2]	[3]	[4]	[5]	[6]
Length	Micron Rating	End Modification	O-Ring / Gasket Material	Optional	Grade
<ul style="list-style-type: none"> • 10 : 10-Inch • 20 : 20-Inch • 30 : 30-Inch • 40 : 40-Inch • 05 : 5-Inch 	<ul style="list-style-type: none"> • 001 : 0.10 µm • 002 : 0.20 µm • 004 : 0.45 µm • 006 : 0.65 µm • 008 : 0.80 µm • 010 : 1.0 µm • 030 : 3.0 µm • 050 : 5.0 µm • 100 : 10.0 µm • 150 : 15.0 µm • 250 : 25.0 µm • 500 : 50.0 µm <p>Note: All final membranes are sterilizing grade.</p>	<ul style="list-style-type: none"> • 2 : 222 O-Ring Flat • 6 : 226 O-Ring Fin • 7 : 226 O-Ring Flat • 0: DOE Flat Gasket 	<ul style="list-style-type: none"> • S : Silicone • E : EPDM • N : Buna-N • PV : Teflon Encapsulated Viton • PS : Teflon Encapsulated Silicone • V : Viton 	<ul style="list-style-type: none"> • -5 : Stainless Steel Insert 	<ul style="list-style-type: none"> • -C: Chemical Grade

Example:

CRTPP10002A2S-C

IFP CRT PP Cartridge, 0.2µm PP hydrophilic membrane (Sterilizing Grade), 10.0-inch Long, Filtration Area 0.7 m², 222 O-Rings with Fin, Silicone Double O-Rings.

Part Number

Description



International Filter Products
Revolutionary systems for your industry



7914 Ajay Drive, Sun Valley, CA 91352
www.internationalfilterproducts.com
sales@internationalfilterproducts.com
Phone: (818) 504-8115



International Filter Products

Revolutionary systems for your industry

Special Configuration:

Layer Option:

- Single Layer
- Dual Layer

Micron Rating Option:

- 0.04 Micron
- 0.1 Micron
- 0.2 Micron
- 0.45 Micron
- 0.65 Micron
- 0.8 Micron
- 1.2 Micron

End Modification Option:

- 2 : 222 O-Ring Flat
- 6 : 226 O-Ring Fin
- 7 : 226 O-Ring Flat
- 0: DOE Flat Gasket

O-Ring/Gasket Material Option:

- S : Silicone
- E : EPDM
- N : Buna-N
- PV : Teflon Encapsulated Viton
- PS : Teflon Encapsulated Silicone
- V : Viton

