



# International Filter Products

*Revolutionary systems for your industry*

## CRT-PP Series Polypropylene Filter Cartridge

The CRT-PP Food Grade filter cartridge embodies advanced filtration technology, delivering an absolute efficiency rating of 99.98% for precise particle retention essential in food processing. Its superior chemical compatibility and robust structural design ensure prolonged durability and consistent performance in various food applications. Each cartridge is meticulously pre-flushed with food-grade water and undergoes rigorous 100% integrity testing to meet the high standards of the food industry. Crafted without animal-derived materials, the CRT-PP Food Grade cartridge presents an eco-friendly and cost-effective alternative to conventional filtration methods like lenticular filters and cellulose sheets.

### Application

- Beverage Production
- Fats and Waxes
- Liquid Sweeteners
- Brewing and Wine
- Product Sterilization
- Food Grade Chemicals
- Proteins
- Water Purification
- Fermentation Broths
- Edible Oils Emulsions
- Flavor and Fragrance Extraction
- Serums

**Part Number: CRT-PP-10-XXX-X2S**



**CRT-PP Series PP Cartridge - Food Grade  
222 O-Rings Flat End Cap**



**International Filter Products**  
*Revolutionary systems for your industry*



7914 Ajay Drive, Sun Valley, CA 91352  
[www.internationalfilterproducts.com](http://www.internationalfilterproducts.com)  
[sales@internationalfilterproducts.com](mailto:sales@internationalfilterproducts.com)  
Phone: (818) 504-8115



# International Filter Products

*Revolutionary systems for your industry*

## Technical Data Sheet

### Micron Rating:

- 0.10  $\mu\text{m}$
- 0.20  $\mu\text{m}$
- 0.45  $\mu\text{m}$
- 0.65  $\mu\text{m}$
- 0.80  $\mu\text{m}$
- 1.0  $\mu\text{m}$
- 3.0  $\mu\text{m}$
- 5.0  $\mu\text{m}$
- 10.0  $\mu\text{m}$
- 15.0  $\mu\text{m}$
- 25.0  $\mu\text{m}$
- 50.0  $\mu\text{m}$

### Effective Filtration Area:

- 5-Inch; 3.75  $\text{ft}^2$  (0.35  $\text{m}^2$ )
- 10-Inch; 7.5  $\text{ft}^2$  (0.7  $\text{m}^2$ )
- 20-Inch; 15.0  $\text{ft}^2$  (1.4  $\text{m}^2$ )
- 30-Inch; 22.5  $\text{ft}^2$  (2.1  $\text{m}^2$ )

### Materials of Construction:

Media: Polypropylene (PP) Media Chemical Grade

Membrane Feature: Flushed with ultrapure DI water, High Flow Rate

Media Supports: Polypropylene

Shell, Cage, Core, End Caps: Polypropylene

O-Rings: Silicone (Standard)

Sealing: Thermally Bonded

### Operating Conditions:

Maximum Forward Differential Pressure: **Liquid:** 5.5 bar (80psi) at 77°F/25°C

**Gas:** 4.1 bar (60psi) at 77°F/25°C

Minimum Burst Pressure: 8.3 bar (120psi) at 77°F/25°C

Maximum Reverse Differential Pressure: 3.0 bar (44psi) at 68°F/20°C

Maximum Operating Temperature: 176°F/80°C at 0.7 bar (10psi)

[Contact International Filter Products for high-temperature application above 122°F/50°C operating temperature]



**International Filter Products**  
*Revolutionary systems for your industry*



7914 Ajay Drive, Sun Valley, CA 91352  
www.internationalfilterproducts.com  
sales@internationalfilterproducts.com  
Phone: (818) 504-8115

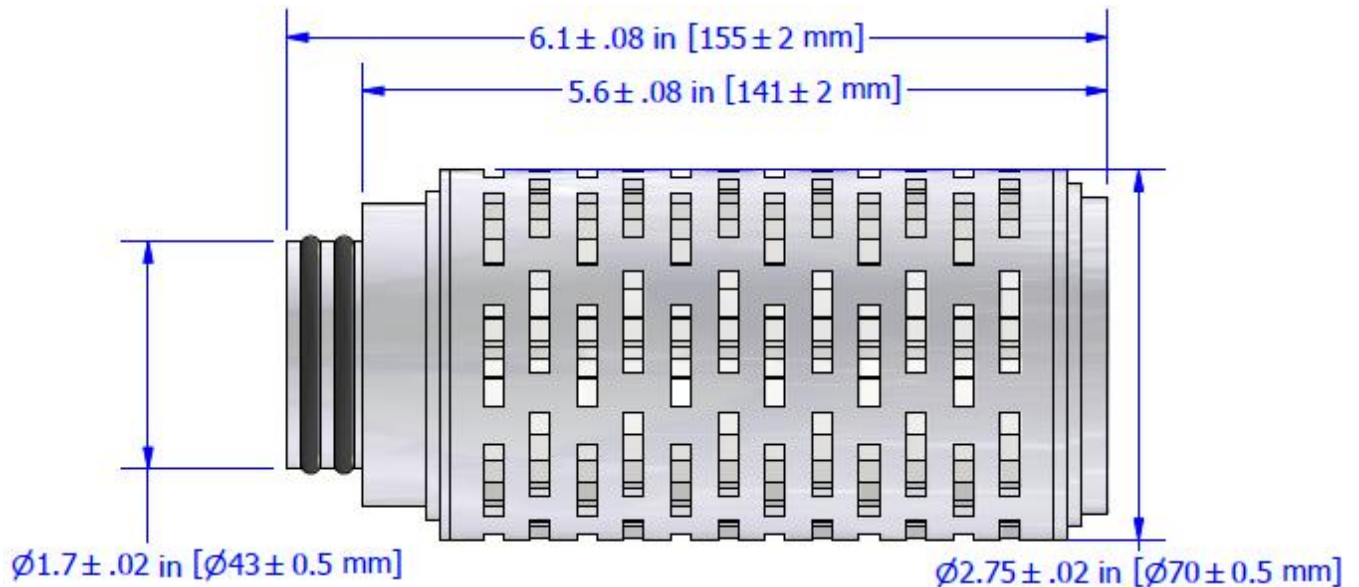


# International Filter Products

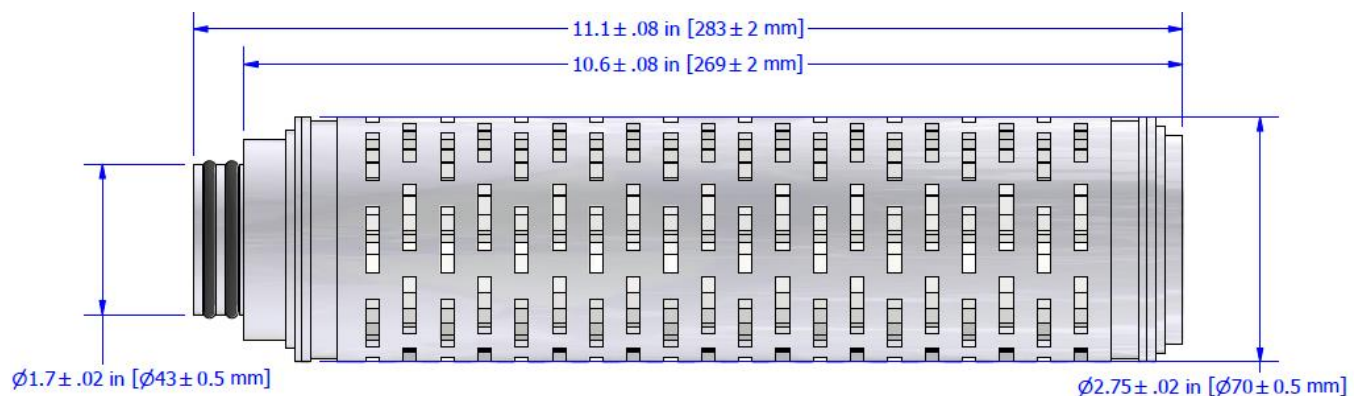
*Revolutionary systems for your industry*

**Nominal Dimension:**

**Part Number: CRT-PP-05-XXX-X2X**



**Part Number: CRT-PP-10-XXX-X2X**



**International Filter Products**  
*Revolutionary systems for your industry*



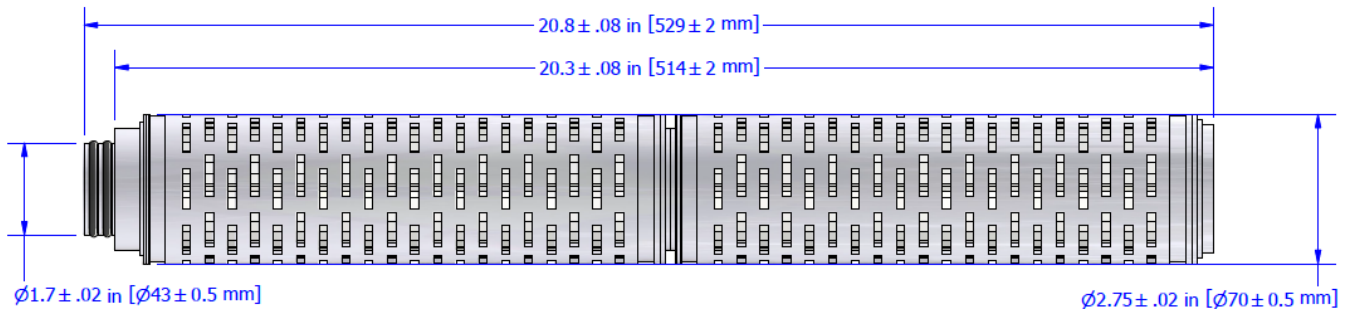
7914 Ajay Drive, Sun Valley, CA 91352  
www.internationalfilterproducts.com  
sales@internationalfilterproducts.com  
Phone: (818) 504-8115



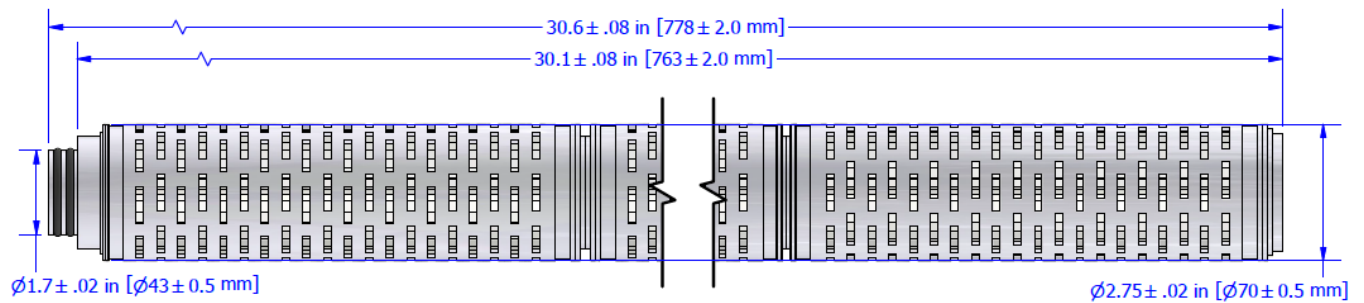
# International Filter Products

*Revolutionary systems for your industry*

## **Part Number: CRT-PP-20-XXX-X2X**



## **Part Number: CRT-PP-30-XXX-X2X**



### **Typical Filtered Volume:**

- 5-Inch; 50L-250L
- 10-Inch; 100L-500L
- 20-Inch; 200L- 1,000L
- 30-Inch; 300L-1,500L



**International Filter Products**  
*Revolutionary systems for your industry*



7914 Ajay Drive, Sun Valley, CA 91352  
www.internationalfilterproducts.com  
sales@internationalfilterproducts.com  
Phone: (818) 504-8115



# International Filter Products

*Revolutionary systems for your industry*

## Performance Attributes:

Water flow rates		
Micron rating	gpm/psid	Lpm/100mbar
0.10 µm	0.9	4.94
0.20 µm	1.85	10
0.45 µm	2.4	13
0.65 µm	4.4	28
0.80 µm	4.7	26
1.0 µm	8	45
3.0 µm	24	135
5.0 µm	40	225
10.0 µm	80	450
15.0 µm	120	675
25.0 µm	200	1,125
50.0 µm	400	2,250

## Biocompatibility:

- ASTM F756-17 Hemolysis
- USP <88> (USP Class VI Plastics) Biological Reactivity Tests, In Vivo
- USP <87> / ISO 10993-5, In Vitro Cytotoxicity
- 21 CFR 177 FDA Indirect Food Additive



**International Filter Products**  
*Revolutionary systems for your industry*



7914 Ajay Drive, Sun Valley, CA 91352  
www.internationalfilterproducts.com  
sales@internationalfilterproducts.com  
Phone: (818) 504-8115



# International Filter Products

*Revolutionary systems for your industry*

## **Sterilization:**

**Autoclave:** The filters can be sterilized by autoclaving for up to 50 cycles at 125 °C (257 °F) for 30 minutes.

**Steam-In-Place:** The filters can also be sterilized by steam-in-place procedure up to 30 cycles at 135 °C (275 °F) for 30 minutes at less than 0.3 bar differential pressure.

**Sanitization:** The filters can also be sanitized by hot water or common chemicals that are compatible with filter components.

## **Animal-derived Components:**

No animal-derived material is intentionally added or used during the manufacture of IFP CRT-PP cartridges.

## **Human and Veterinarian Use:**

The product is safe for Human and Veterinarian use. CGMP CFR part 210 & 211, additional requirement of 21 CFR part 600 and 21 CFR part 680 are applicable to the aseptic manufacturing process.

## **RoHS:**

Restriction of Hazardous Substances (RoHS 3) Directive 2015/863

## **REACH:**

REACH (Registration, Evaluation, Authorization and Restriction of Chemicals) Article 57, Regulation No. 1907/2006)

## **Traceability:**

For traceability and easy identification:

- A Certificate of Conformance is provided with each capsule.
- Each filter bag and box are labeled with the product part number, lot number, and identifying characteristics.

Each capsule is engraved and labeled with the product part number, lot number, and identifying characteristics.

## **Shelf Life:**

The CRT-PP Food Grade cartridges have a shelf life of 5 years from the date of manufacture.



**International Filter Products**  
*Revolutionary systems for your industry*



7914 Ajay Drive, Sun Valley, CA 91352  
www.internationalfilterproducts.com  
sales@internationalfilterproducts.com  
Phone: (818) 504-8115



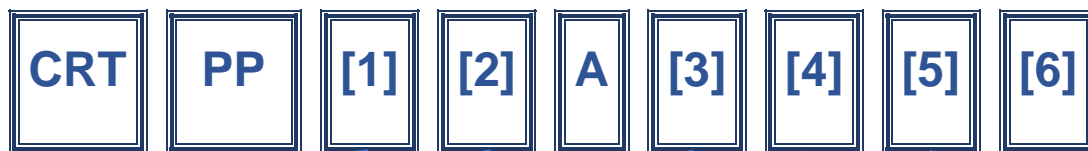
# International Filter Products

Revolutionary systems for your industry

## CRT-PP Series PP Cartridge

(Food Grade)

### Ordering Guide



[1]	[2]	[3]	[4]	[5]	[6]
Length	Micron Rating	End Modification	O-Ring / Gasket Material	Optional	Grade
<ul style="list-style-type: none"> <li>• 10 : 10-Inch</li> <li>• 20 : 20-Inch</li> <li>• 30 : 30-Inch</li> <li>• 40 : 40-Inch</li> <li>• 05 : 5-Inch</li> </ul>	<ul style="list-style-type: none"> <li>• 001 : 0.10 µm</li> <li>• 002 : 0.20 µm</li> <li>• 004 : 0.45 µm</li> <li>• 006 : 0.65 µm</li> <li>• 008 : 0.80 µm</li> <li>• 010 : 1.0 µm</li> <li>• 030 : 3.0 µm</li> <li>• 050 : 5.0 µm</li> <li>• 100 : 10.0 µm</li> <li>• 150 : 15.0 µm</li> <li>• 250 : 25.0 µm</li> <li>• 500 : 50.0 µm</li> </ul> <p>Note: All final membranes are sterilizing grade.</p>	<ul style="list-style-type: none"> <li>• 2 : 222 O-Ring Flat</li> <li>• 6 : 226 O-Ring Fin</li> <li>• 7 : 226 O-Ring Flat</li> <li>• 0: DOE Flat Gasket</li> </ul>	<ul style="list-style-type: none"> <li>• S : Silicone</li> <li>• E : EPDM</li> <li>• N : Buna-N</li> <li>• PV : Teflon Encapsulated Viton</li> <li>• PS : Teflon Encapsulated Silicone</li> <li>• V : Viton</li> </ul>	<ul style="list-style-type: none"> <li>• -5 : Stainless Steel Insert</li> </ul>	<ul style="list-style-type: none"> <li>• -B: Biological Grade</li> </ul>

**Example:**

**CRTPP10002A2S-B**

IFP CRT PP Cartridge, 0.2µm PP hydrophilic membrane (Food Grade), 10.0-inch Long, Filtration Area 0.7 m<sup>2</sup>, 222 O-Rings with Fin, Silicone Double O-Rings.

Part Number

Description



**International Filter Products**  
Revolutionary systems for your industry



7914 Ajay Drive, Sun Valley, CA 91352  
www.internationalfilterproducts.com  
sales@internationalfilterproducts.com  
Phone: (818) 504-8115



# International Filter Products

*Revolutionary systems for your industry*

## Special Configuration:

### Layer Option:

- Single Layer
- Dual Layer

### Micron Rating Option:

- 0.04 Micron
- 0.1 Micron
- 0.2 Micron
- 0.45 Micron
- 0.65 Micron
- 0.8 Micron
- 1.2 Micron

### End Modification Option:

- 2 : 222 O-Ring Flat
- 6 : 226 O-Ring Fin
- 7 : 226 O-Ring Flat
- 0: DOE Flat Gasket

### O-Ring/Gasket Material Option:

- S : Silicone
- E : EPDM
- N : Buna-N
- PV : Teflon Encapsulated Viton
- PS : Teflon Encapsulated Silicone
- V : Viton

