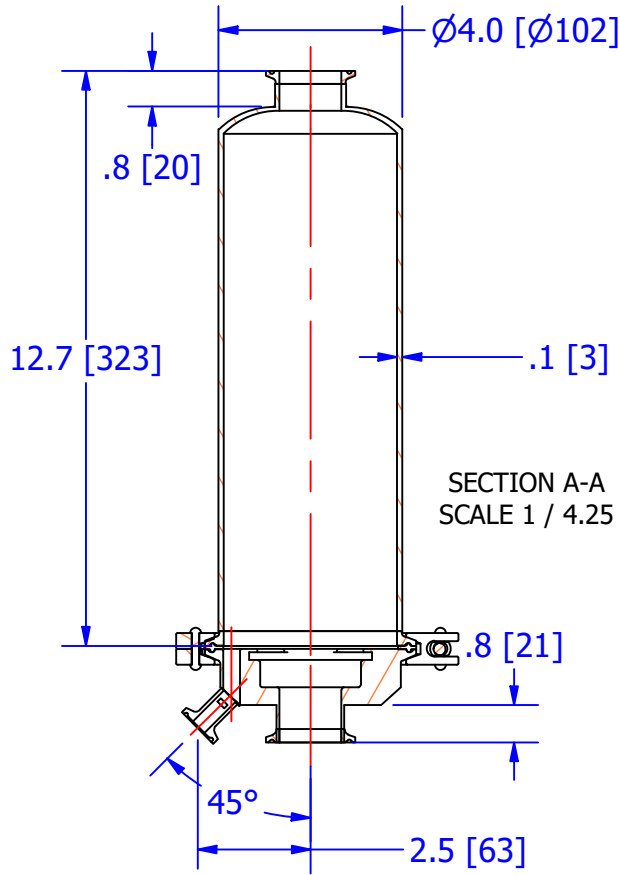
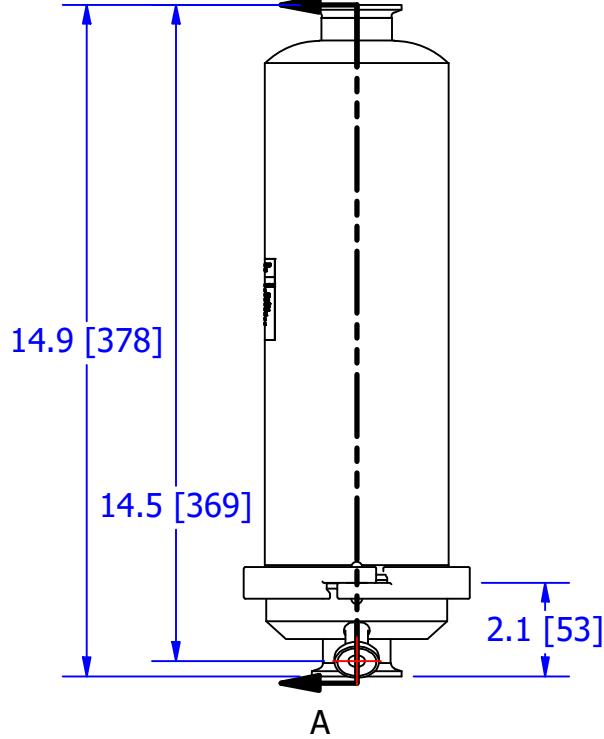
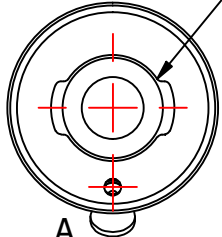


THIS DOCUMENT IS FOR REFERENCE ONLY AND IS PROPRIETARY INFORMATION BELONGING TO INTERNATIONAL FILTER PRODUCTS UNAUTHORIZED COPIES OR USE FOR OTHER PURPOSES STRICTLY PROHIBITED.

REVISIONS				
ZONE	REV	DESCRIPTION	DATE	APPROVED
	-	SALES DRAWING	07/13/2022	CD Morland

226 CARTRIDGE SLOT WITH LOCK TABS

INTERNAL VIEW



SECTION A-A  
SCALE 1 / 4.25



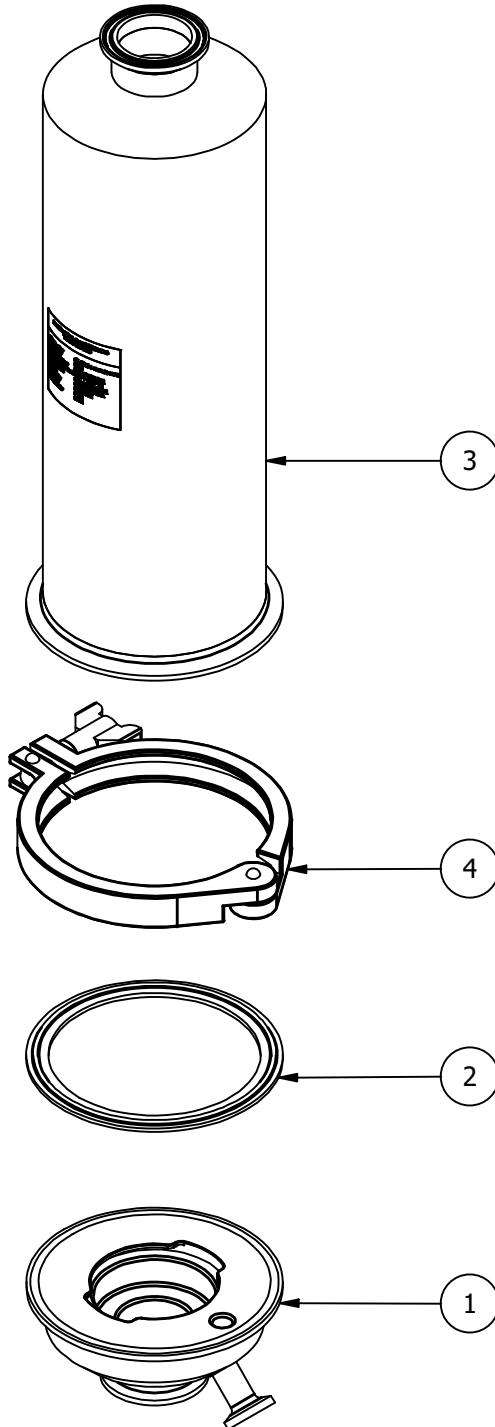
NOTES:

- 1.0 DESIGN PRESSURE 125 PSI [8.5 BAR] @ 212 °F [100 °C]
- 2.0 FINISH INTERNAL: 16 RA; EXTERNAL 25 RA
- 3.0 UNIT IS DESIGNED TO ACCEPT FILTER CARTRIDGE:
  - (1) 2.75" DIA., 10" LONG 226 O-RING FILTER CARTRIDGE W/FIN
- 4.0 FILTER HOUSING IS DESIGNED AND BUILT PER ASME 2010 DIVISION I SECTION VIII
- 5.0 SEAL MATERIAL: SILICONE, OTHER SEAL OPTIONS AVAILABLE

DRAWN EA Flores CHECKED YA Zanki APPROVED CD Morland	9/25/2023 9/25/2023 9/25/2023	<b>International Filter Products</b> 7914 AJAY DRIVE SUN VALLEY, CA 91352 PHONE: 818-504-8115 FAX: 818-841-2947 email: charlie@internationalfilterproducts.com
UNLESS OTHERWISE SPECIFIED DIMENSIONS ARE IN INCHES DECIMALS    FRACTIONS +/- 1/16 X +/- .030    ANGLES +/- 1/2 XX +/- .015    SURFACE ROUGHNESS 125 XXX +/- .005 CONCENTRICITIES .010 (FIM) INTERNAL RADII .015~.030 BREAK CORNERS .005~.015		TITLE <b>GAS HOUSING, 10-INCH SSSH</b>
SIZE A SCALE NA	ISOF NO DWG NO 01-0212-G-1-2-226-2-1 WEIGHT N/A	REV - SHEET 1 OF 2

THIS DOCUMENT IS FOR REFERENCE ONLY AND IS PROPRIETARY INFORMATION BELONGING TO INTERNATIONAL FILTER PRODUCTS UNAUTHORIZED COPIES OR USE FOR OTHER PURPOSES STRICTLY PROHIBITED.

REVISIONS				
ZONE	REV	DESCRIPTION	DATE	APPROVED
	-	SALES DRAWING	07/13/2022	CD Morland



STANDARD SEAL KITS	
PART NUMBER	DESCRIPTION
IFP-091-0041	SEALS, SSSH, TC, 1.5 INCH I-O, SILICONE, KIT
IFP-091-0042	SEALS, SSSH, TC, 1.5 INCH I-O, EPDM, KIT
IFP-091-0043	SEALS, SSSH, TC, 1.5 INCH I-O, BUNA, KIT
IFP-091-0044	SEALS, SSSH, TC, 1.5 INCH I-O, PTFE, KIT
IFP-091-0045	SEALS, SSSH, TC, 1.5 INCH I-O, VITON, KIT

ITEM	QTY	PART NUMBER	DESCRIPTION
4	1	IFP-10E-0005	CLAMP, TC, 4.0 INCH, 304 SS
3	1	IFP-02D-0202-3 MM	TOP DOME, GAS HOUSING, 10-INCH SSSH-3MM
2	1	IFP-09T-0106	SEAL, TC, 4.0 INCH, SILICONE
1	1	IFP-02D-0206-3 MM	BASE, GAS HOUSING, SSSH-3 MM

**BILL OF MATERIALS**

DRAWN EA Flores CHECKED YA Zanki APPROVED CD Morland	9/25/2023 9/25/2023 9/25/2023	<b>International Filter Products</b> 7914 AJAY DRIVE SUN VALLEY, CA 91352 PHONE: 818-504-8115 FAX: 818-841-2947 email: charlie@internationalfilterproducts.com	TITLE <b>GAS HOUSING, 10-INCH SSSH</b>
UNLESS OTHERWISE SPECIFIED DIMENSIONS ARE IN INCHES DECIMALS    FRACTIONS +/- 1/16 X +/- .030    ANGLES +/- 1/2 XX +/- .015    SURFACE ROUGHNESS 125 XXX +/- .005 CONCENTRICITIES .010 (FIM) INTERNAL RADII .015~.030 BREAK CORNERS .005~.015		SIZE <b>A</b>	ISOF NO DWG NO <b>01-0212-G-1-2-226-2-1</b> REV -
SCALE NA		WEIGHT N/A	SHEET <b>2</b> OF <b>2</b>