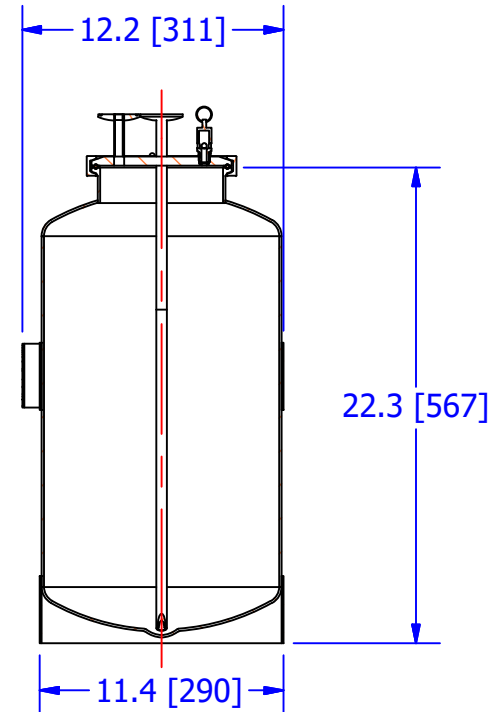
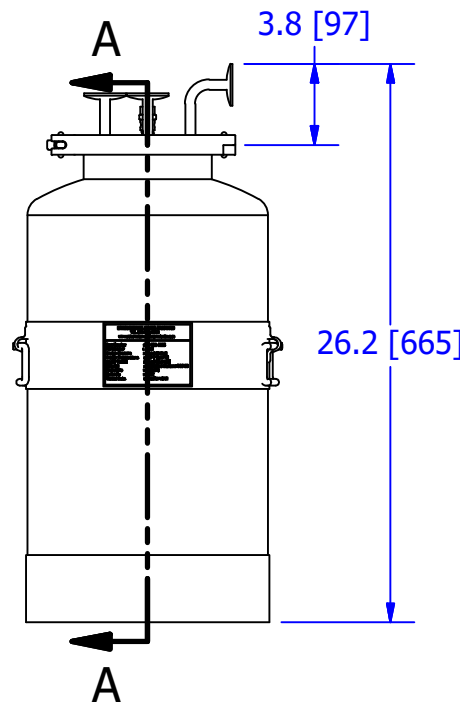
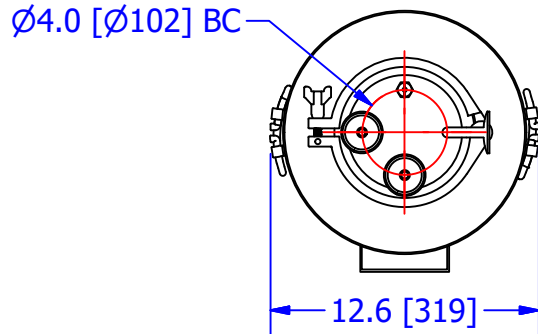


THIS DOCUMENT IS FOR REFERENCE ONLY AND IS PROPRIETARY INFORMATION BELONGING TO INTERNATIONAL FILTER PRODUCTS UNAUTHORIZED COPIES OR USE FOR OTHER PURPOSES STRICTLY PROHIBITED.

REVISIONS				
ZONE	REV	DESCRIPTION	DATE	APPROVED
	-	SALES DRAWING	10/1/2019	CD Morland



SECTION A-A  
SCALE 1:9

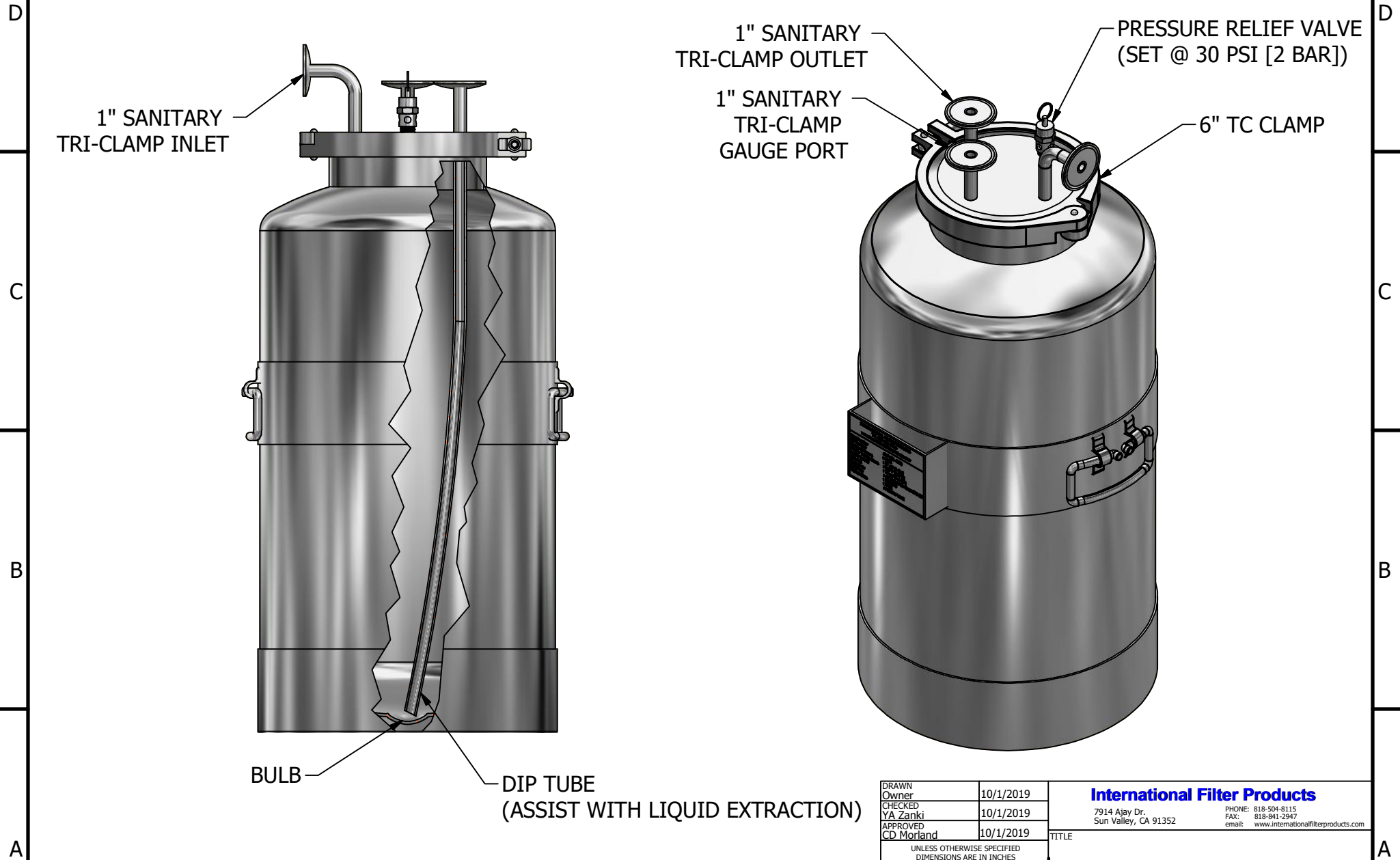
NOTES:

- 1.0 ALL WETTED SURFACES ARE: 316 L SS
- 2.0 INTERNAL SURFACE FINISH IS 16 RA; EXTERNAL 25 RA
- 3.0 PRESSURE POT DESIGNED FOR 78 PSI [5.4 BAR] @ 212 °F [100 °C].
- 4.0 PRESSURE POT WORKING VOLUME: 25L
- 5.0 INLET AND OUTLET PORTS: 1 INCH TRI-CLAMP
- 6.0 DOME SEAL MATERIA: EPDM
- 7.0 HOUSING DESIGNED TO BE STEAM STERILIZED @ at 270 °F [132 °C] FOR 30 MIN.

DRAWN Owner	10/1/2019	<b>International Filter Products</b> 7914 Ajay Dr. PHONE: 818-504-8115 Sun Valley, CA 91352 FAX: 818-941-2947 email: www.internationalfilterproducts.com			
CHECKED YA Zanki	10/1/2019				
APPROVED CD Morland	10/1/2019	TITLE	PRESSURE POT, 25L, 316L SS		
UNLESS OTHERWISE SPECIFIED DIMENSIONS ARE IN INCHES		SIZE	ISOF NO	DWG NO	REV
DECIMALS X +/- .030	FRACTIONS +/- 1/16	A		IFP-021-1125	-
XX +/- .015	ANGLES +/- 1/2	SCALE	WEIGHT	SHEET	OF
XXX +/- .005	SURFACE ROUGHNESS 125	NA	41.519 lbmass	1	3
CONCENTRICITIES .010 (FIM) INTERNAL RADII .015~.030 BREAK CORNERS .005~.015					

THIS DOCUMENT IS FOR REFERENCE ONLY AND IS PROPRIETARY INFORMATION BELONGING TO INTERNATIONAL FILTER PRODUCTS UNAUTHORIZED COPIES OR USE FOR OTHER PURPOSES STRICTLY PROHIBITED.

REVISIONS				
ZONE	REV	DESCRIPTION	DATE	APPROVED
	-	SALES DRAWING	10/1/2019	CD Morland



BULB  
DIP TUBE  
(ASSIST WITH LIQUID EXTRACTION)

1" SANITARY TRI-CLAMP INLET  
1" SANITARY TRI-CLAMP OUTLET  
1" SANITARY TRI-CLAMP GAUGE PORT  
PRESSURE RELIEF VALVE (SET @ 30 PSI [2 BAR])  
6" TC CLAMP

DRAWN Owner CHECKED YA Zanki APPROVED CD Morland	10/1/2019 10/1/2019 10/1/2019	<b>International Filter Products</b> 7914 Ajay Dr. Sun Valley, CA 91352 PHONE: 818-504-8115 FAX: 818-941-2947 email: www.internationalfilterproducts.com	TITLE <b>PRESSURE POT, 25L, 316L SS</b>
UNLESS OTHERWISE SPECIFIED DIMENSIONS ARE IN INCHES DECIMALS    FRACTIONS +/- 1/16 X +/- .030    ANGLES +/- 1/2 XX +/- .015    SURFACE ROUGHNESS 125 XXX +/- .005 CONCENTRICITIES .010 (FIM) INTERNAL RADII .015~.030 BREAK CORNERS .005~.015		SIZE <b>A</b>	ISOF NO DWG NO <b>IFP-021-1125</b>
SCALE	NA	WEIGHT	41.519 lbmass
SHEET		2 OF 3	