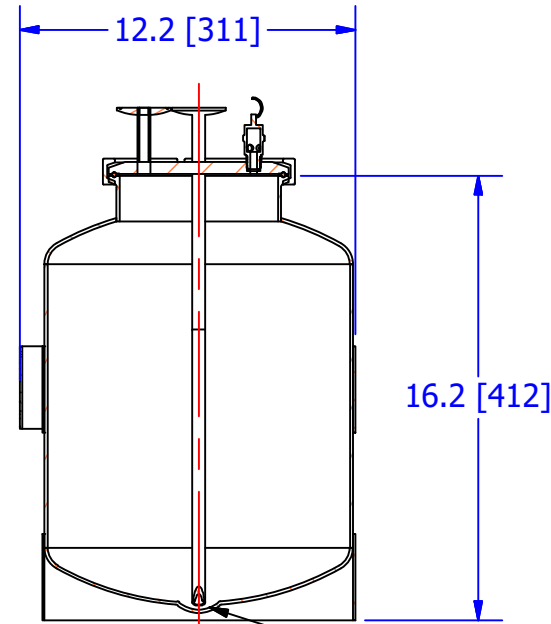
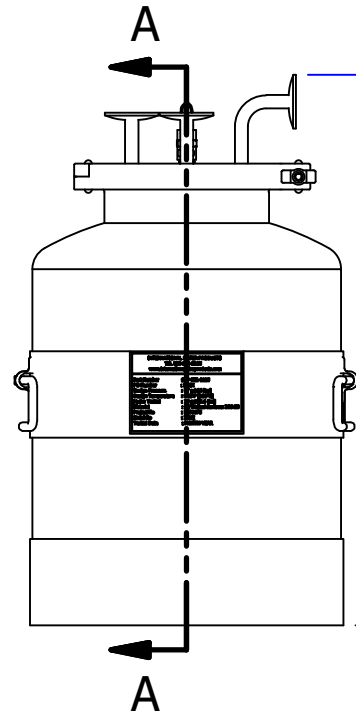
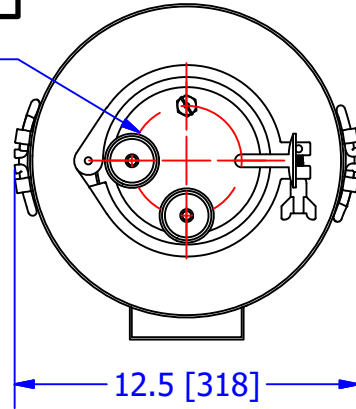


THIS DOCUMENT IS FOR REFERENCE ONLY AND IS PROPRIETARY INFORMATION BELONGING TO INTERNATIONAL FILTER PRODUCTS UNAUTHORIZED COPIES OR USE FOR OTHER PURPOSES STRICTLY PROHIBITED.

REVISIONS				
ZONE	REV	DESCRIPTION	DATE	APPROVED
	-	SALES DRAWING	10/1/2019	CD Morland

Ø4.0 [Ø102] BC



SECTION A-A
SCALE 1:7

BULB

NOTES:

- 1.0 ALL WETTED SURFACES ARE: 316 L SS
- 2.0 INTERNAL SURFACE FINISH IS 16 RA; EXTERNAL 25 RA
- 3.0 PRESSURE POT DESIGNED FOR 78 PSI [5.4 BAR] @ 212 °F [100 °C].
- 4.0 PRESSURE POT WORKING VOLUME: 15L
- 5.0 INLET AND OUTLET PORTS: 1 INCH TRI-CLAMP
- 6.0 DOME SEAL MATERIA: EPDM
- 7.0 HOUSING DESIGNED TO BE STEAM STERILIZED @ at 270 °F [132 °C] FOR 30 MIN.

DRAWN Owner	10/1/2019
CHECKED YA Zanki	10/1/2019
APPROVED CD Morland	10/1/2019

UNLESS OTHERWISE SPECIFIED
DIMENSIONS ARE IN INCHES

DECIMALS	FRACTIONS +/- 1/16
X +/- .030	ANGLES +/- 1/2
XX +/- .015	SURFACE ROUGHNESS 125
XXX +/- .005	

CONCENTRICITIES .010 (FIM)
INTERNAL RADII .015~.030
BREAK CORNERS .005~.015

International Filter Products			
7914 Ajay Dr. Sun Valley, CA 91352		PHONE: 818-504-8115 FAX: 818-941-2947 email: www.internationalfilterproducts.com	
TITLE PRESSURE POT, 15L, 316L SS			
SIZE A	ISOF NO	DWG NO IFP-021-1115	REV -
SCALE NA	WEIGHT 34.080 lbmass	SHEET 1 OF 3	

4

3

2

1

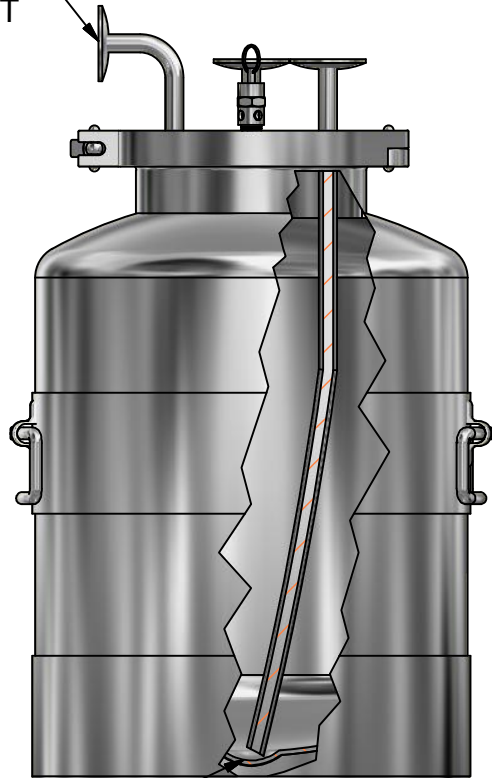
THIS DOCUMENT IS FOR REFERENCE ONLY AND IS PROPRIETARY INFORMATION BELONGING TO INTERNATIONAL FILTER PRODUCTS UNAUTHORIZED COPIES OR USE FOR OTHER PURPOSES STRICTLY PROHIBITED.

REVISIONS				
ZONE	REV	DESCRIPTION	DATE	APPROVED
	-	SALES DRAWING	10/1/2019	CD Morland

D

D

1" SANITARY TRI-CLAMP-INLET



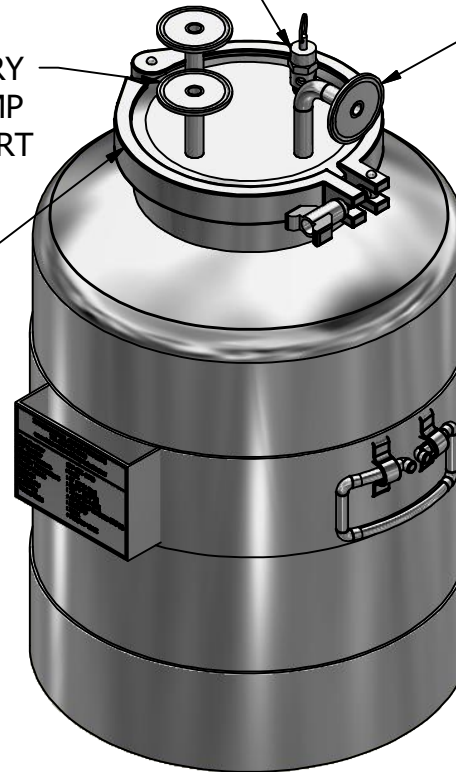
BULB

PRESSURE RELIEF VALVE (SET @ 30 PSI [2 BAR])

1" SANITARY TRI-CLAMP GAUGE PORT

1" SANITARY TRI-CLAMP OUTLET

6" TC CLAMP



C

C

B

B

A

A

4

3

2

1

DRAWN Owner	10/1/2019
CHECKED YA Zanki	10/1/2019
APPROVED CD Morland	10/1/2019

International Filter Products

7914 Ajay Dr. PHONE: 818-504-8115
Sun Valley, CA 91352 FAX: 818-941-2947
email: www.internationalfilterproducts.com

UNLESS OTHERWISE SPECIFIED
DIMENSIONS ARE IN INCHES

DECIMALS	FRACTIONS +/- 1/16
X +/- .030	ANGLES +/- 1/2
XX +/- .015	SURFACE ROUGHNESS 125
XXX +/- .005	

CONCENTRICITIES .010 (FIM)
INTERNAL RADII .015~.030
BREAK CORNERS .005~.015

TITLE			
PRESSURE POT, 15L, 316L SS			
SIZE A	ISOF NO	DWG NO IFP-021-1115	REV -
SCALE NA	WEIGHT 34.080 lbmass	SHEET 2 OF 3	