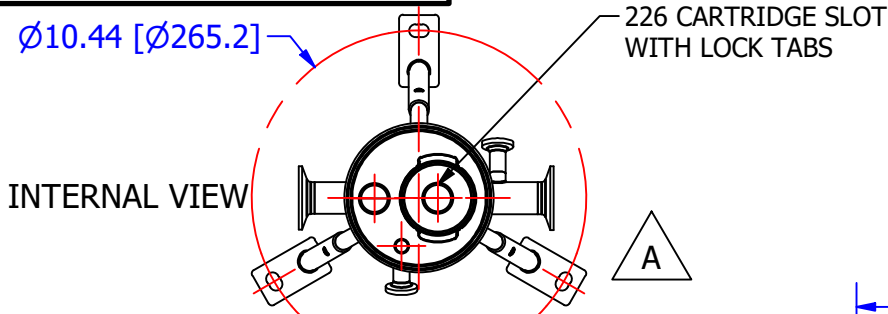


THIS DOCUMENT IS FOR REFERENCE ONLY AND IS PROPRIETARY INFORMATION BELONGING TO INTERNATIONAL FILTER PRODUCTS UNAUTHORIZED COPIES OR USE FOR OTHER PURPOSES STRICTLY PROHIBITED.

| REVISIONS |     |                             |           |          |
|-----------|-----|-----------------------------|-----------|----------|
| ZONE      | REV | DESCRIPTION                 | DATE      | APPROVED |
|           | -   | Production Release          | 9/14/2020 | YA Zanki |
|           | A   | Added Tab Feet for Mounting | 9/20/2022 | YA Zanki |

D

D

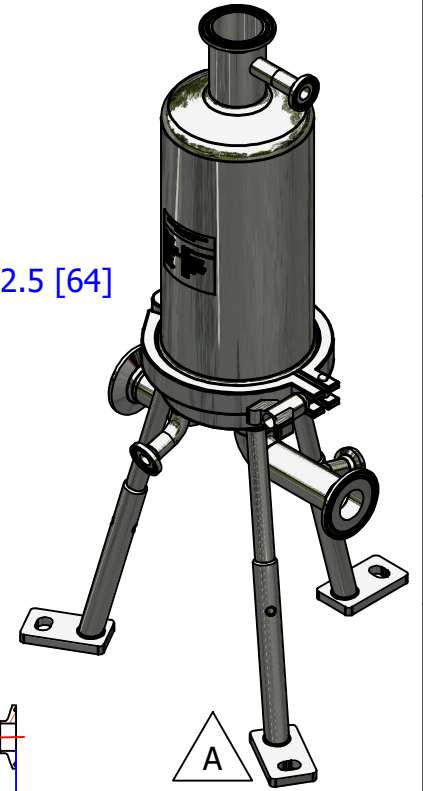
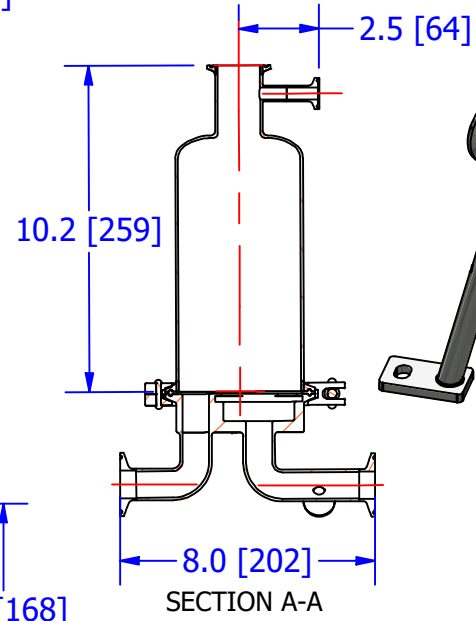
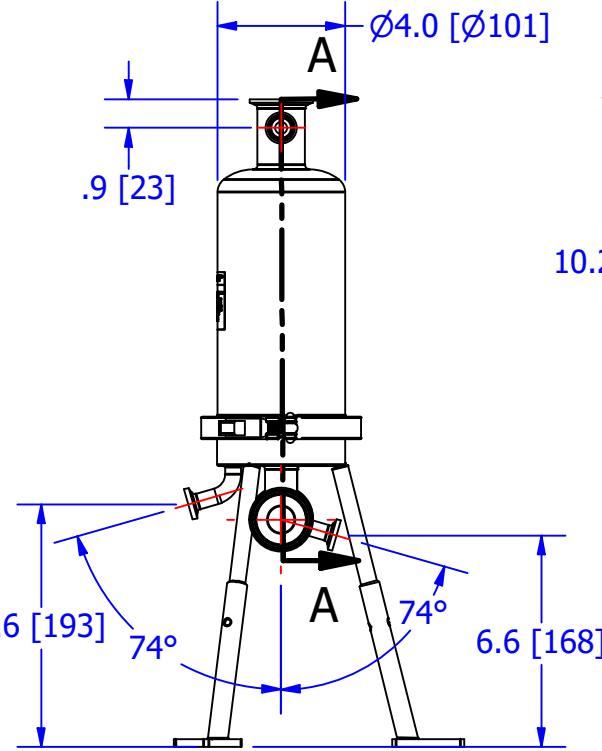
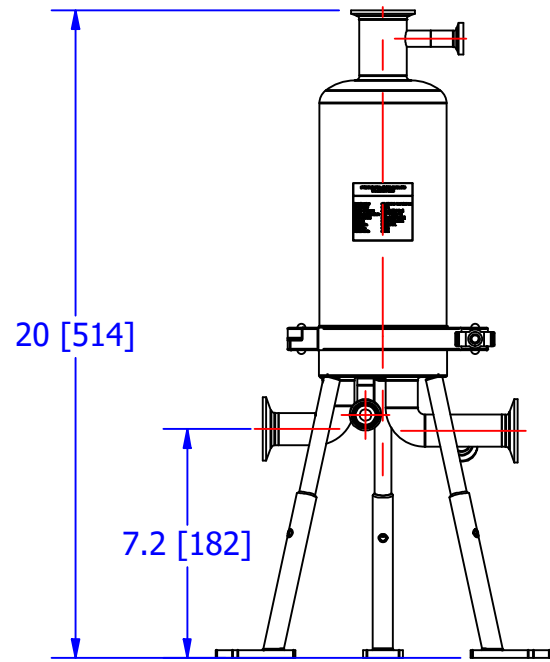


INTERNAL VIEW



C

C



B

B

NOTES:

- 1.0 DESIGN PRESSURE 125 PSI [8.5 BAR] @ 212 °F [100 °C]
- 2.0 FINISH INTERNAL: 8-10 RA; EXTERNAL 16 RA
- 3.0 UNIT IS DESIGNED TO ACCEPT FILTER CARTRIDGE:  
(1) 2.75 DIA., 5" LONG 226 O-RING FILTER CARTRIDGE W/FIN
- 4.0 FILTER HOUSING IS DESIGNED AND BUILT PER ASME 2010 DIVISION I SECTION VIII
- 5.0 SEAL MATERIAL: SILICONE, OTHER SEAL OPTIONS AVAILABLE

A

A

|   |                                     |   |
|---|-------------------------------------|---|
| DRAWN<br>EA Flores<br>CHECKED<br>YA Zanki<br>APPROVED<br>CD Morland   | 9/28/2023<br>9/28/2023<br>9/28/2023 | <b>International Filter Products</b><br>7914 Ajay Drive<br>Sun Valley, CA 91352<br>PHONE: 818-504-8115<br>FAX: 818-841-2947<br>email: www.internationalfilterproducts.com |
| UNLESS OTHERWISE SPECIFIED DIMENSIONS ARE IN INCHES<br>DECIMALS FRACTIONS +/- 1/16<br>X +/- .030 ANGLES +/- 1/2<br>XX +/- .015 SURFACE ROUGHNESS 125<br>XXX +/- .005<br>CONCENTRICITIES .010 (FIM)<br>INTERNAL RADII .015~.030<br>BREAK CORNERS .005~.015 |                                     | TITLE<br><b>HOUSING, 5 INCH, TC V-D, SSSH</b>   |
| SIZE<br><b>A</b>  | ISOF NO<br>NA                       | DWG NO<br><b>01-0210-A-1-226-2</b>  |
| SCALE<br>NA   | WEIGHT<br>7.471 lbmass              | SHEET <b>1</b> OF <b>3</b>  |

4

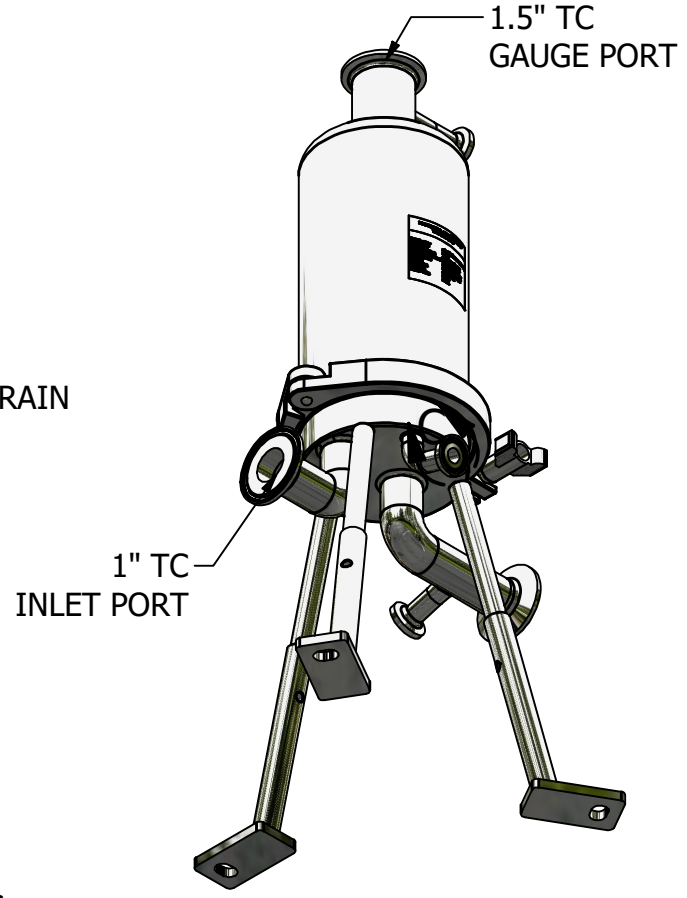
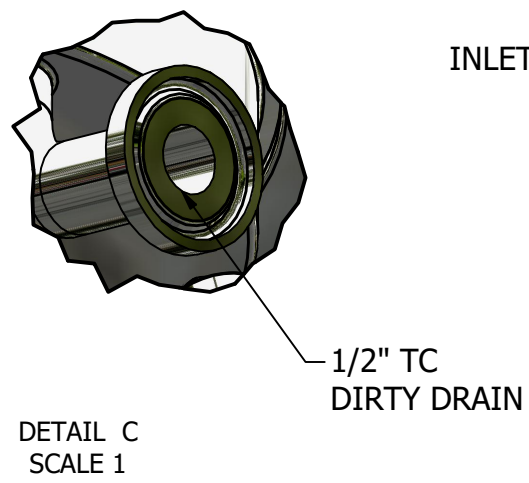
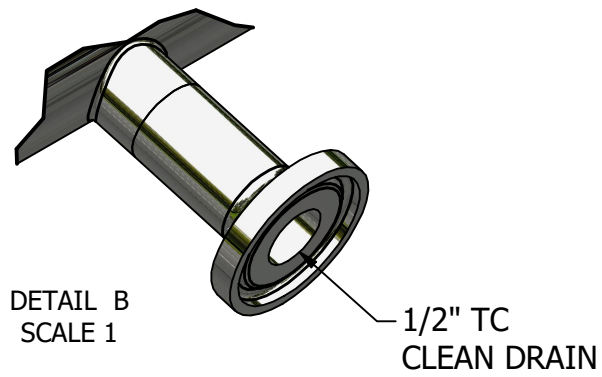
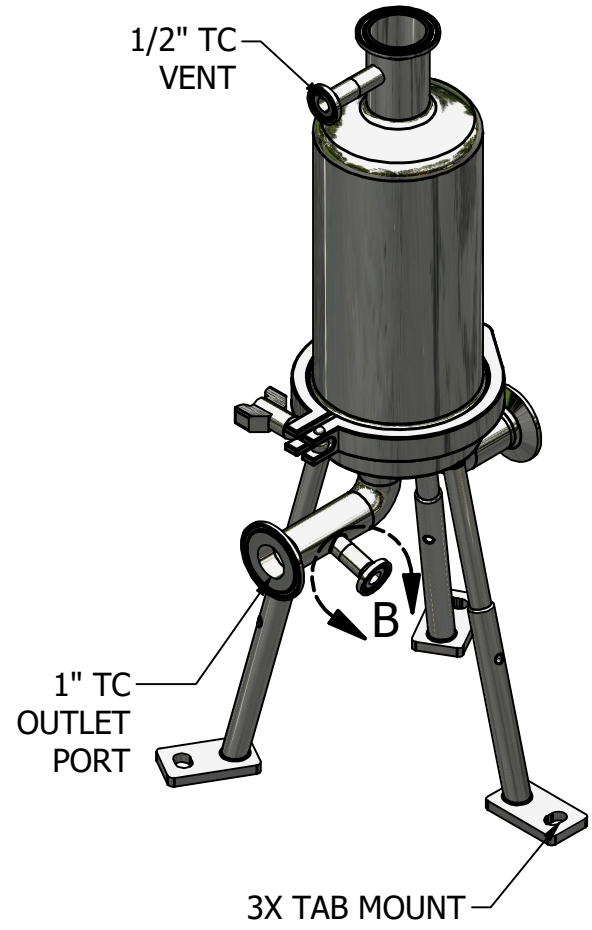
3

2

1

THIS DOCUMENT IS FOR REFERENCE ONLY AND IS PROPRIETARY INFORMATION BELONGING TO INTERNATIONAL FILTER PRODUCTS UNAUTHORIZED COPIES OR USE FOR OTHER PURPOSES STRICTLY PROHIBITED.

| REVISIONS |     |                             |           |          |
|-----------|-----|-----------------------------|-----------|----------|
| ZONE      | REV | DESCRIPTION                 | DATE      | APPROVED |
|           | -   | Production Release          | 9/14/2020 | YA Zanki |
|           | A   | Added Tab Feet for Mounting | 9/20/2022 | YA Zanki |



|                        |           |
|------------------------|-----------|
| DRAWN<br>EA Flores     | 9/28/2023 |
| CHECKED<br>YA Zanki    | 9/28/2023 |
| APPROVED<br>CD Morland | 9/28/2023 |

**International Filter Products**  
 7914 Ajay Drive  
 Sun Valley, CA 91352  
 PHONE: 818-504-8115  
 FAX: 818-841-2947  
 email: www.internationalfilterproducts.com

UNLESS OTHERWISE SPECIFIED DIMENSIONS ARE IN INCHES

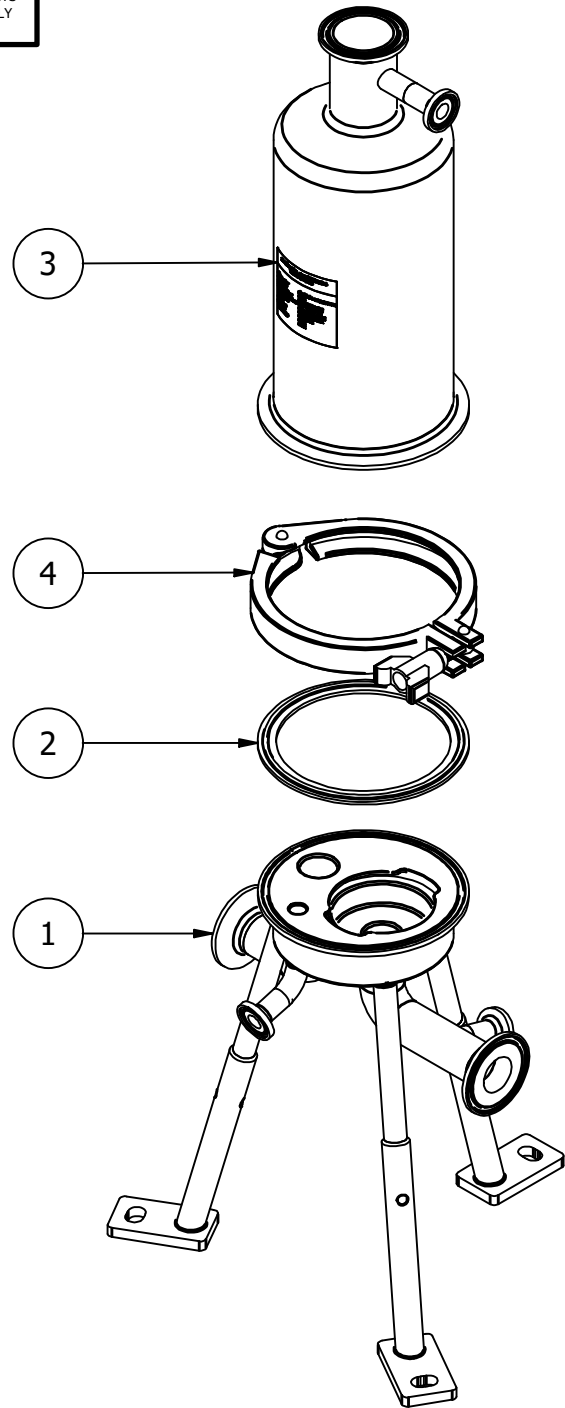
|              |                       |
|--------------|-----------------------|
| DECIMALS     | FRACTIONS +/- 1/16    |
| X +/- .030   | ANGLES +/- 1/2        |
| XX +/- .015  | SURFACE ROUGHNESS 125 |
| XXX +/- .005 |                       |

CONCENTRICITIES .010 (FIM)  
 INTERNAL RADII .015~.030  
 BREAK CORNERS .005~.015

|   |                        |                                    |                 |
|---|------------------------|------------------------------------|-----------------|
| TITLE<br><b>HOUSING, 5 INCH, TC V-D, SSSH</b> |                        |                                    |                 |
| SIZE<br><b>A</b>                              | ISOF NO                | DWG NO<br><b>01-0210-A-1-226-2</b> | REV<br><b>A</b> |
| SCALE<br>NA                                   | WEIGHT<br>7.471 lbmass | SHEET <b>2</b> OF <b>3</b>         |                 |

THIS DOCUMENT IS FOR REFERENCE ONLY AND IS PROPRIETARY INFORMATION BELONGING TO INTERNATIONAL FILTER PRODUCTS UNAUTHORIZED COPIES OR USE FOR OTHER PURPOSES STRICTLY PROHIBITED.

| REVISIONS |     |                             |           |          |
|-----------|-----|-----------------------------|-----------|----------|
| ZONE      | REV | DESCRIPTION                 | DATE      | APPROVED |
|           | -   | Production Release          | 9/14/2020 | YA Zanki |
|           | A   | Added Tab Feet for Mounting | 9/20/2022 | YA Zanki |



| STANDARD SEAL KITS |                                |
|--------------------|--------------------------------|
| PART NUMBER        | DESCRIPTION                    |
| IFP-091-0021       | SEALS, SSSH, TC, SILICONE, KIT |
| IFP-091-0022       | SEALS, SSSH, TC, EPDM, KIT     |
| IFP-091-0023       | SEALS, SSSH, TC, BUNA, KIT     |
| IFP-091-0024       | SEALS, SSSH, TC, PTFE, KIT     |
| IFP-091-0025       | SEALS, SSSH, TC, VITON, KIT    |

| 4    | IFP-10E-0005 | CLAMP, TC, 4.0 INCH, 304 SS               | 1   |
|------|--------------|---|-----|
| 3    | IFP-02D-0206 | HOUSING, 5L DOME, SSSH, T-TYPE            | 1   |
| 2    | IFP-09T-0106 | SEAL, TC, 4.0 INCH, SILICONE              | 1   |
| 1    | IFP-02D-0210 | HOUSING, BASE, 0.5 TC DRAIN, SSSH, T-TYPE | 1   |
| ITEM | PART NUMBER  | DESCRIPTION                               | QTY |

| BILL OF MATERIALS                                      |                            |   |                        |
|--|----------------------------|---|------------------------|
| DRAWN<br>EA Flores                                     | 9/28/2023                  | <b>International Filter Products</b><br>7914 Ajay Drive      PHONE: 818-504-8115<br>Sun Valley, CA 91352      FAX: 818-841-2947<br>email: www.internationalfilterproducts.com |                        |
| CHECKED<br>YA Zanki                                    | 9/28/2023                  |   |                        |
| APPROVED<br>CD Morland                                 | 9/28/2023                  |   |                        |
| UNLESS OTHERWISE SPECIFIED<br>DIMENSIONS ARE IN INCHES |                            |   |                        |
| DECIMALS   | FRACTIONS +/- 1/16         | TITLE<br><b>HOUSING, 5 INCH, TC V-D, SSSH</b>   |                        |
| X +/- .030   | ANGLES +/- 1/2             | SIZE<br><b>A</b>  | ISOF NO                |
| XX +/- .015  | SURFACE ROUGHNESS 125      | DWG NO<br><b>01-0210-A-1-226-2</b>  | REV<br><b>A</b>        |
| XXX +/- .005   | CONCENTRICITIES .010 (FIM) | SCALE<br>NA   | WEIGHT<br>7.471 lbmass |
|  | INTERNAL RADII .015~.030   | SHEET <b>3</b> OF <b>3</b>  |                        |
|  | BREAK CORNERS .005~.015    |   |                        |