

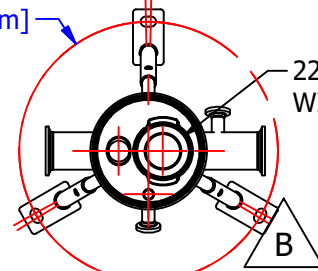
THIS DOCUMENT IS FOR REFERENCE ONLY AND IS PROPRIETARY INFORMATION BELONGING TO INTERNATIONAL FILTER PRODUCTS UNAUTHORIZED COPIES OR USE FOR OTHER PURPOSES STRICTLY PROHIBITED.

REVISIONS				
ZONE	REV	DESCRIPTION	DATE	APPROVED
	-	Production Release	02/02/2021	YA Zanki
	A	Added Tab Feet for Mounting	03/03/2021	YA Zanki
	B	Increased Tab Feet Bolt Circle & Drawing Notes Updated	9/13/2023	YA Zanki

D

D

Ø10.44 in [Ø265.2 mm]



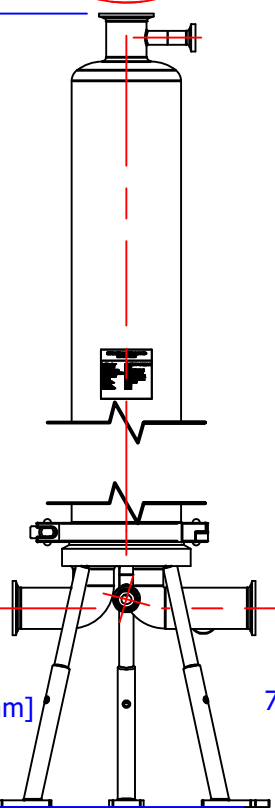
INTERNAL VIEW

226 CARTRIDGE SLOT WITH LOCK TABS

C

C

45 in [1138 mm]

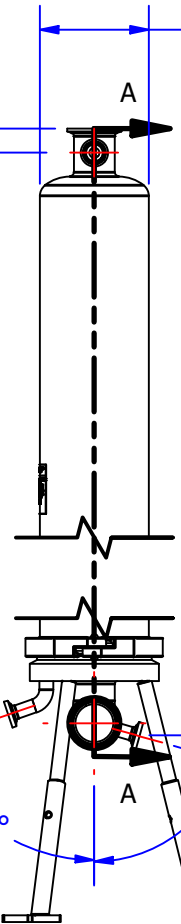


7.2 in [184 mm]

B

B

.9 in [23 mm]



Ø4.0 in [Ø101 mm]

7.6 in [192 mm]

74°

74°

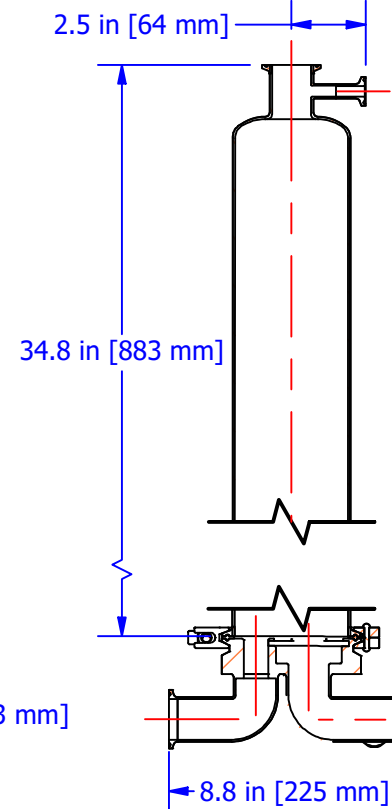
6.8 in [173 mm]

NOTES:

- 1.0 DESIGN PRESSURE 125 PSI [8.5 BAR] @ 212 °F [100 °C]
- 2.0 FINISH INTERNAL: 8-10 RA; EXTERNAL 16 RA
- 3.0 UNIT IS DESIGNED TO ACCEPT FILTER CARTRIDGE:
 - (1) 2.75 DIA., 30" LONG 226 O-RING FILTER CARTRIDGE W/FIN
- 4.0 FILTER HOUSING IS DESIGNED AND BUILT PER ASME 2010 DIVISION I SECTION VIII
- 5.0 SEAL MATERIAL: SILICONE, OTHER SEAL OPTIONS AVAILABLE

A

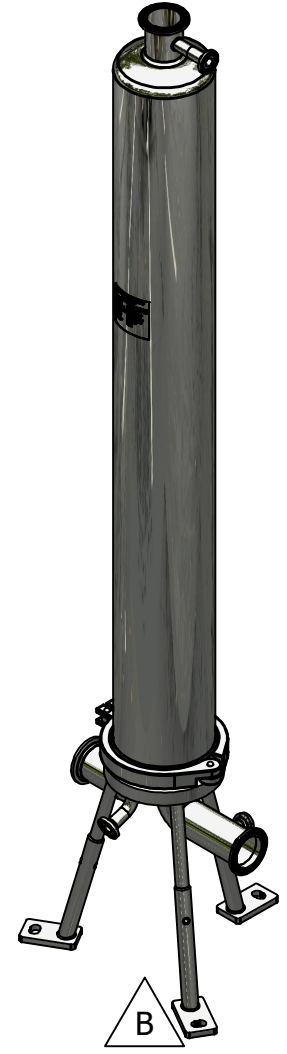
A



34.8 in [883 mm]

8.8 in [225 mm]

SECTION A-A



B

DRAWN EA Flores	9/13/2023
CHECKED YA Zanki	9/13/2023
APPROVED CD Morland	9/13/2023

International Filter Products
7914 AJAY DRIVE
SUN VALLEY, CA 91352
PHONE: 818-504-8115
FAX: 818-841-2947
email: charlie@internationalfilterproducts.com

UNLESS OTHERWISE SPECIFIED DIMENSIONS ARE IN INCHES
DECIMALS FRACTIONS +/- 1/16
X +/- .030 ANGLES +/- 1/2
XX +/- .015 SURFACE ROUGHNESS 125
XXX +/- .005
CONCENTRICITIES .010 (FIM)
INTERNAL RADII .015~.030
BREAK CORNERS .005~.015

TITLE HOUSING, 30 INCH, TC V-D, SSSH			
SIZE A	ISOF NO	DWG NO 01-0210-3-2-226-2	REV B
SCALE NA	WEIGHT 18.717 lbmass	SHEET 1 OF 3	

4

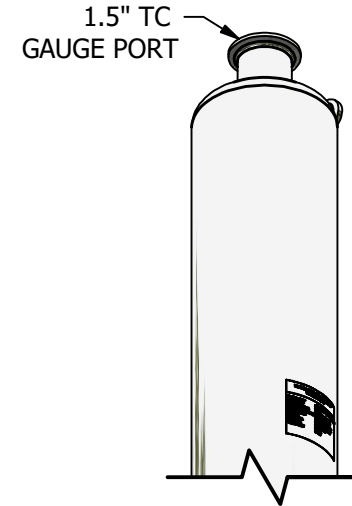
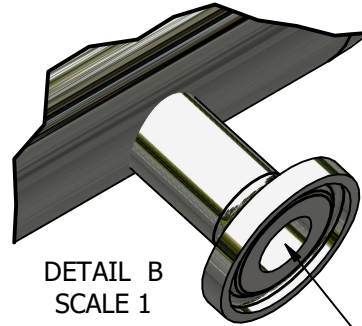
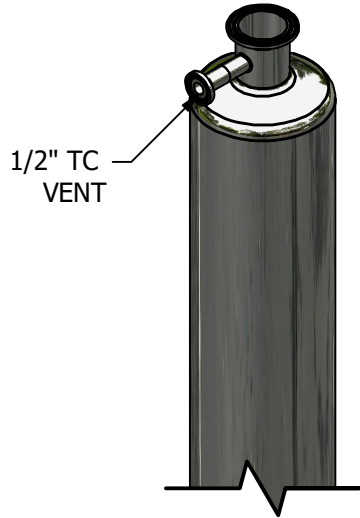
3

2

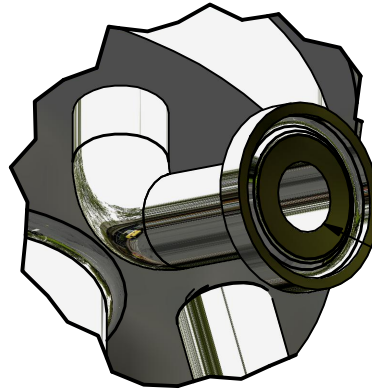
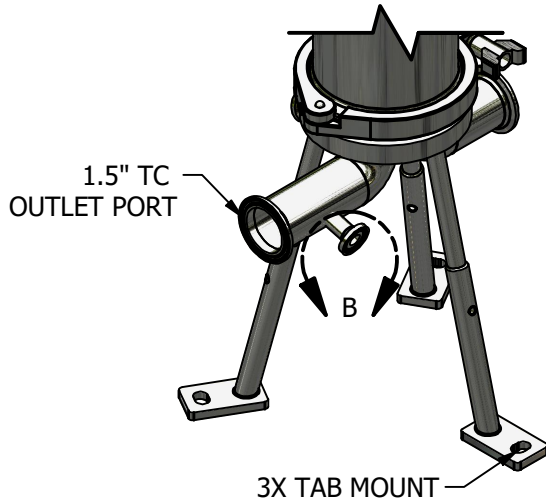
1

THIS DOCUMENT IS FOR REFERENCE ONLY AND IS PROPRIETARY INFORMATION BELONGING TO INTERNATIONAL FILTER PRODUCTS UNAUTHORIZED COPIES OR USE FOR OTHER PURPOSES STRICTLY PROHIBITED.

REVISIONS				
ZONE	REV	DESCRIPTION	DATE	APPROVED
	-	Production Release	02/02/2021	YA Zanki
	A	Added Tab Feet for Mounting	03/03/2021	YA Zanki
	B	Increased Tab Feet Bolt Circle & Drawing Notes Updated	9/13/2023	YA Zanki

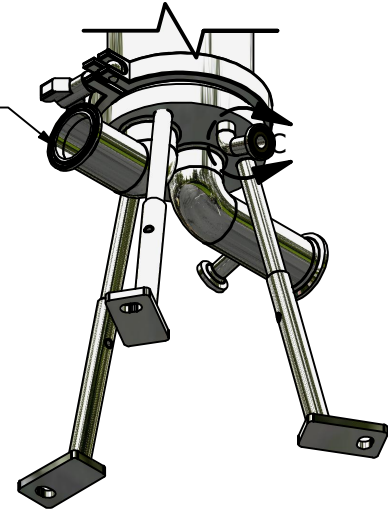


1/2" TC CLEAN DRAIN



1/2" TC DIRTY DRAIN

1.5" TC INLET PORT



DRAWN EA Flores	9/13/2023
CHECKED YA Zanki	9/13/2023
APPROVED CD Morland	9/13/2023

International Filter Products
7914 AJAY DRIVE
SUN VALLEY, CA 91352
PHONE: 818-504-8115
FAX: 818-841-2947
email: charlie@internationalfilterproducts.com

UNLESS OTHERWISE SPECIFIED
DIMENSIONS ARE IN INCHES

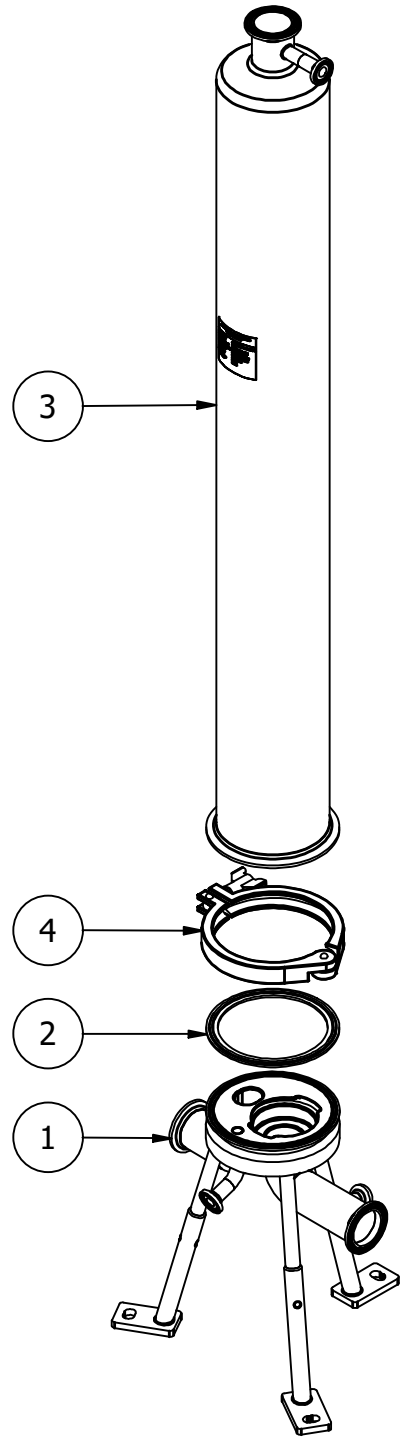
DECIMALS FRACTIONS +/- 1/16
X +/- .030 ANGLES +/- 1/2
XX +/- .015 SURFACE ROUGHNESS 125
XXX +/- .005

CONCENTRICITIES .010 (FIM)
INTERNAL RADII .015~.030
BREAK CORNERS .005~.015

TITLE			
HOUSING, 30 INCH, TC V-D, SSSH			
SIZE A	ISOF NO	DWG NO 01-0210-3-2-226-2	REV B
SCALE NA	WEIGHT 18.717 lbmass	SHEET 2 OF 3	

THIS DOCUMENT IS FOR REFERENCE ONLY AND IS PROPRIETARY INFORMATION BELONGING TO INTERNATIONAL FILTER PRODUCTS UNAUTHORIZED COPIES OR USE FOR OTHER PURPOSES STRICTLY PROHIBITED.

REVISIONS				
ZONE	REV	DESCRIPTION	DATE	APPROVED
	-	Production Release	02/02/2021	YA Zanki
	A	Added Tab Feet for Mounting	03/03/2021	YA Zanki
	B	Increased Tab Feet Bolt Circle & Drawing Notes Updated	9/13/2023	YA Zanki



STANDARD SEAL KITS	
PART NUMBER	DESCRIPTION
IFP-091-0041	SEALS, SSSH, TC, 1.5 INCH I-O, SILICONE, KIT
IFP-091-0042	SEALS, SSSH, TC, 1.5 INCH I-O, EPDM, KIT
IFP-091-0043	SEALS, SSSH, TC, 1.5 INCH I-O, BUNA, KIT
IFP-091-0044	SEALS, SSSH, TC, 1.5 INCH I-O, PTFE, KIT
IFP-091-0045	SEALS, SSSH, TC, 1.5 INCH I-O, VITON, KIT

4	IFP-10E-0005	CLAMP, TC, 4.0 INCH, 304 SS	1
3	IFP-02D-0211	HOUSING, 30L DOME, 0.5 TC VENT, SSSH, T-TYPE	1
2	IFP-09T-0106	SEAL, TC, 4.0 INCH, SILICONE	1
1	IFP-02D-0200-4	HOUSING, BASE, 1.5 IN SSSH, T-TYPE	1
ITEM	PART NUMBER	DESCRIPTION	QTY

BILL OF MATERIALS			
DRAWN EA Flores	9/13/2023	International Filter Products 7914 AJAY DRIVE PHONE: 818-504-8115 SUN VALLEY, CA 91352 FAX: 818-841-2947 email: charlie@internationalfilterproducts.com	
CHECKED YA Zanki	9/13/2023		
APPROVED CD Morland	9/13/2023		
UNLESS OTHERWISE SPECIFIED DIMENSIONS ARE IN INCHES		TITLE	
DECIMALS FRACTIONS +/- 1/16 X +/- .030 ANGLES +/- 1/2 XX +/- .015 SURFACE ROUGHNESS 125 XXX +/- .005		HOUSING, 30 INCH, TC V-D, SSSH	
SIZE A	ISOF NO	DWG NO 01-0210-3-2-226-2	REV B
SCALE NA	WEIGHT 18.717 lbmass	SHEET 3 OF 3	

4

3

2

1

D

D

C

C

B

B

A

A

4

3

2

1