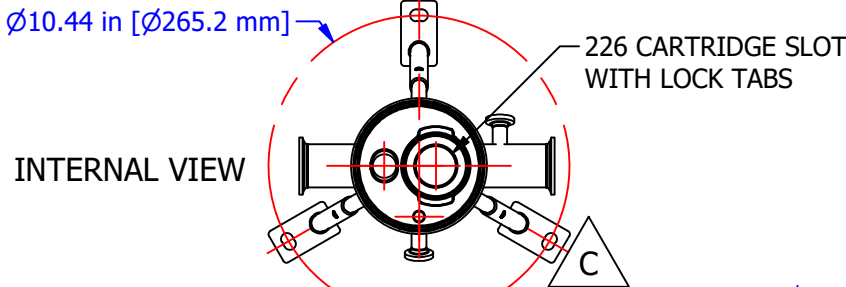


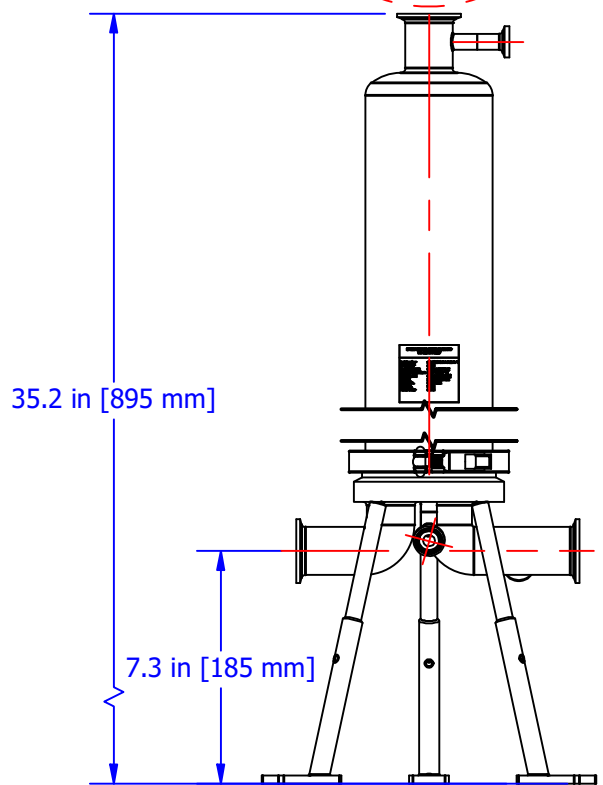
THIS DOCUMENT IS FOR REFERENCE ONLY AND IS PROPRIETARY INFORMATION BELONGING TO INTERNATIONAL FILTER PRODUCTS UNAUTHORIZED COPIES OR USE FOR OTHER PURPOSES STRICTLY PROHIBITED.

REVISIONS				
ZONE	REV	DESCRIPTION	DATE	APPROVED
	-	Production Release	8/11/2020	YA Zanki
	A	ADD A CLEAN DRAIN	2/9/2021	CD Morland
	B	Added Tab Feet for Mounting	9/21/2022	YA Zanki
	C	Increased Tab Feet Bolt Circle & Drawing Notes Updated	9/13/2023	YA Zanki

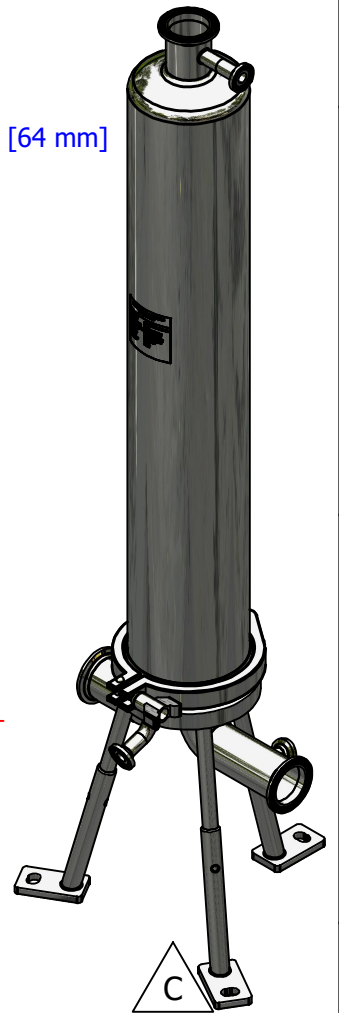
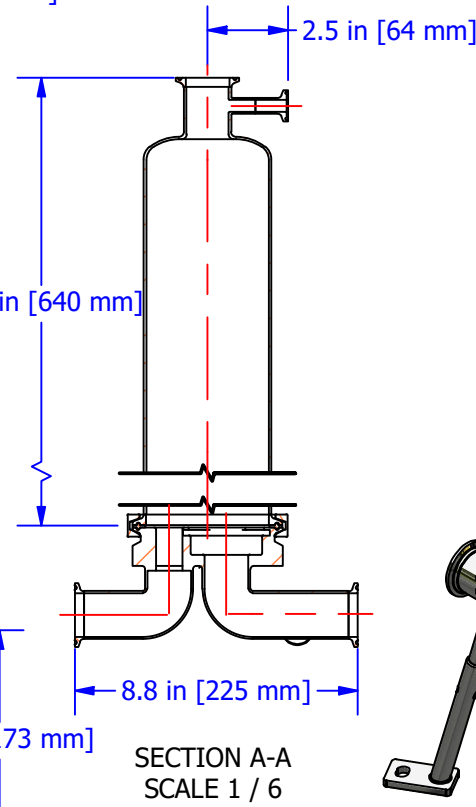
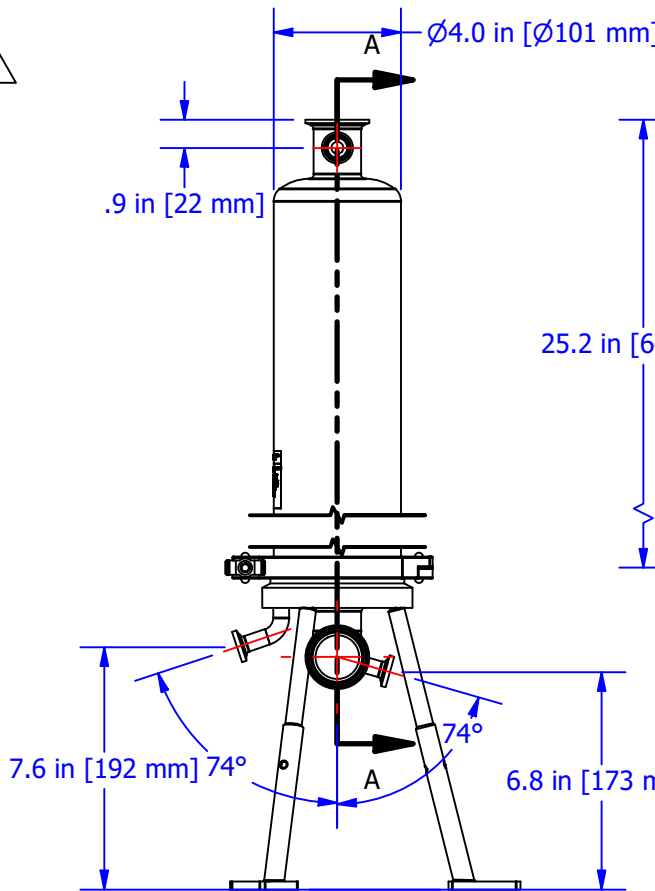
D



C




B



D

C

B

- NOTES:
- DESIGN PRESSURE 125 PSI [8.5 BAR] @ 212 °F [100 °C]
 - FINISH INTERNAL: 8-10 RA; EXTERNAL 16 RA
 - UNIT IS DESIGNED TO ACCEPT FILTER CARTRIDGE: 
 - 2.75 DIA., 20" LONG 226 O-RING FILTER CARTRIDGE W/FIN
 - FILTER HOUSING IS DESIGNED AND BUILT PER ASME 2010 DIVISION I SECTION VIII
 - SEAL MATERIAL: SILICONE, OTHER SEAL OPTIONS AVAILABLE

A

DRAWN EA Flores CHECKED YA Zanki APPROVED CD Morland	9/13/2023 9/13/2023 9/13/2023	International Filter Products 7914 AJAY DRIVE SUN VALLEY, CA 91352 PHONE: 818-504-8115 FAX: 818-841-2947 email: charlie@internationalfilterproducts.com
UNLESS OTHERWISE SPECIFIED DIMENSIONS ARE IN INCHES DECIMALS X +/- .030 FRACTIONS +/- 1/16 XX +/- .015 ANGLES +/- 1/2 XXX +/- .005 SURFACE ROUGHNESS 125		TITLE HOUSING, 20 INCH, TC V-D, SSSH
CONCENTRICITIES .010 (FIM) INTERNAL RADII .015~.030 BREAK CORNERS .005~.015	SIZE A	DWG NO 01-0210-2-2-226-2
SCALE NA	WEIGHT 15.906 lbmass	REV C SHEET 1 OF 3

A

4

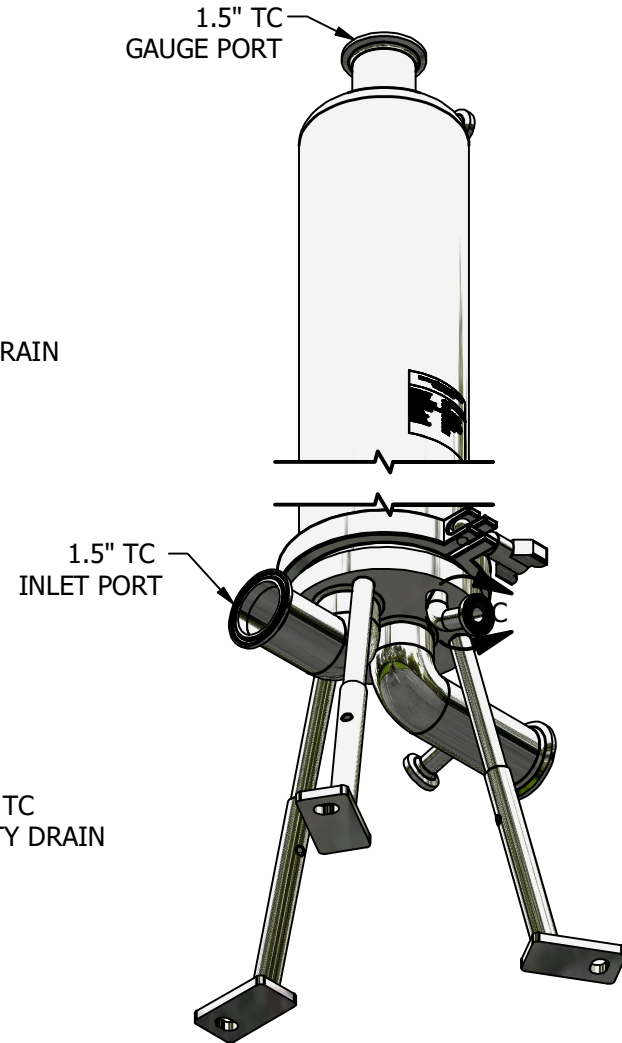
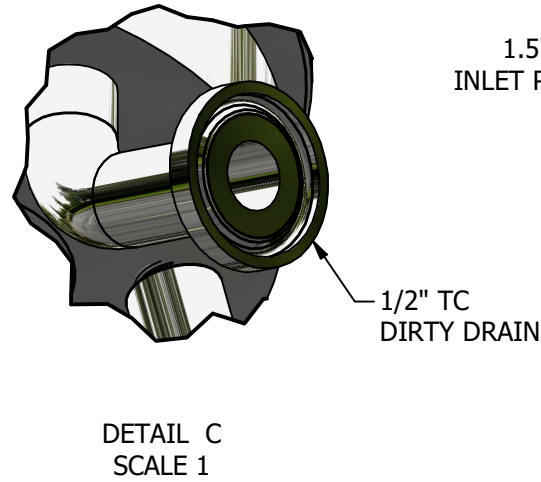
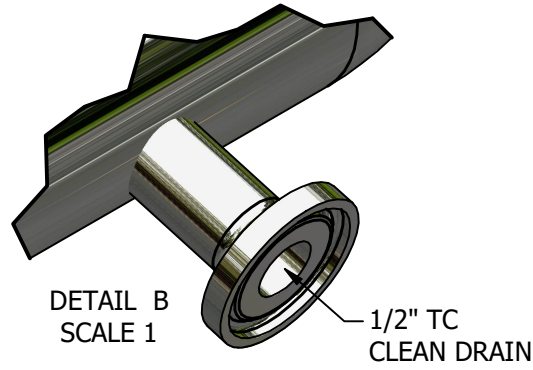
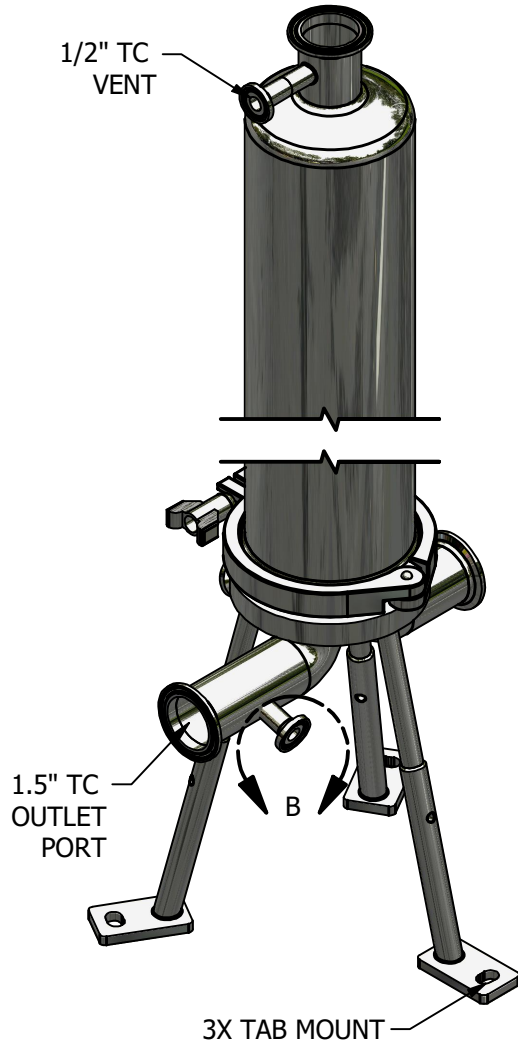
3

2

1

THIS DOCUMENT IS FOR REFERENCE ONLY AND IS PROPRIETARY INFORMATION BELONGING TO INTERNATIONAL FILTER PRODUCTS UNAUTHORIZED COPIES OR USE FOR OTHER PURPOSES STRICTLY PROHIBITED.

REVISIONS				
ZONE	REV	DESCRIPTION	DATE	APPROVED
	-	Production Release	8/11/2020	YA Zanki
	A	ADD A CLEAN DRAIN	2/9/2021	CD Morland
	B	Added Tab Feet for Mounting	9/21/2022	YA Zanki
	C	Increased Tab Feet Bolt Circle & Drawing Notes Updated	9/13/2023	YA Zanki



DRAWN EA Flores	9/13/2023
CHECKED YA Zanki	9/13/2023
APPROVED CD Morland	9/13/2023

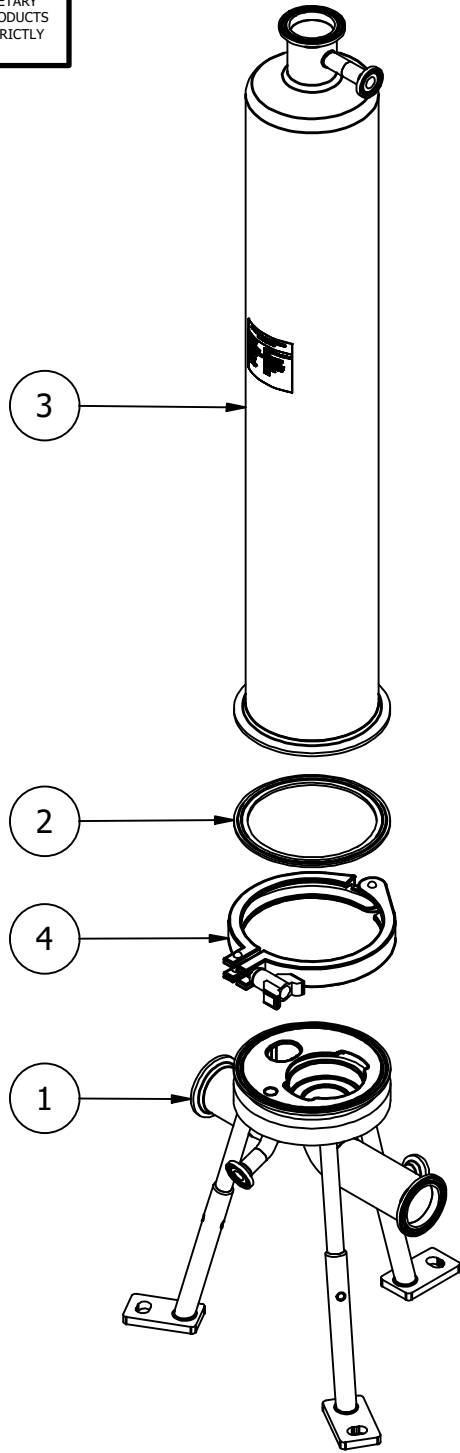
International Filter Products
 7914 AJAY DRIVE
 SUN VALLEY, CA 91352
 PHONE: 818-504-8115
 FAX: 818-841-2947
 email: charlie@internationalfilterproducts.com

UNLESS OTHERWISE SPECIFIED
 DIMENSIONS ARE IN INCHES
 DECIMALS FRACTIONS +/- 1/16
 X +/- .030 ANGLES +/- 1/2
 XX +/- .015 SURFACE ROUGHNESS 125
 XXX +/- .005
 CONCENTRICITIES .010 (FIM)
 INTERNAL RADII .015~.030
 BREAK CORNERS .005~.015

TITLE HOUSING, 20 INCH, TC V-D, SSSH			
SIZE A	ISOF NO	DWG NO 01-0210-2-2-226-2	REV C
SCALE NA	WEIGHT 15.906 lbmass	SHEET 2 OF 3	

THIS DOCUMENT IS FOR REFERENCE ONLY AND IS PROPRIETARY INFORMATION BELONGING TO INTERNATIONAL FILTER PRODUCTS UNAUTHORIZED COPIES OR USE FOR OTHER PURPOSES STRICTLY PROHIBITED.

REVISIONS				
ZONE	REV	DESCRIPTION	DATE	APPROVED
	-	Production Release	8/11/2020	YA Zanki
	A	ADD A CLEAN DRAIN	2/9/2021	CD Morland
	B	Added Tab Feet for Mounting	9/21/2022	YA Zanki
	C	Increased Tab Feet Bolt Circle & Drawing Notes Updated	9/13/2023	YA Zanki



STANDARD SEAL KITS	
PART NUMBER	DESCRIPTION
IFP-091-0041	SEALS, SSSH, TC, 1.5 INCH I-O, SILICONE, KIT
IFP-091-0042	SEALS, SSSH, TC, 1.5 INCH I-O, EPDM, KIT
IFP-091-0043	SEALS, SSSH, TC, 1.5 INCH I-O, BUNA, KIT
IFP-091-0044	SEALS, SSSH, TC, 1.5 INCH I-O, PTFE, KIT
IFP-091-0045	SEALS, SSSH, TC, 1.5 INCH I-O, VITON, KIT

4	IFP-10E-0005	CLAMP, TC, 4.0 INCH, 304 SS	1
3	IFP-02D-0207	HOUSING, 20L DOME, 0.5 TC VENT, SSSH, T-TYPE	1
2	IFP-09T-0106	SEAL, TC, 4.0 INCH, SILICONE	1
1	IFP-02D-0200-4	HOUSING, BASE, 1.5 IN SSSH, T-TYPE	1
ITEM	PART NUMBER	DESCRIPTION	QTY

BILL OF MATERIALS			
DRAWN EA Flores	9/13/2023	International Filter Products 7914 AJAY DRIVE PHONE: 818-504-8115 SUN VALLEY, CA 91352 FAX: 818-841-2947 email: charlie@internationalfilterproducts.com	
CHECKED YA Zanki	9/13/2023		
APPROVED CD Morland	9/13/2023		
UNLESS OTHERWISE SPECIFIED DIMENSIONS ARE IN INCHES		TITLE	
DECIMALS FRACTIONS +/- 1/16 X +/- .030 ANGLES +/- 1/2 XX +/- .015 SURFACE ROUGHNESS 125 XXX +/- .005	CONCENTRICITIES .010 (FIM) INTERNAL RADII .015~.030 BREAK CORNERS .005~.015	HOUSING, 20 INCH, TC V-D, SSSH	
SIZE A	ISOF NO	DWG NO 01-0210-2-2-226-2	REV C
SCALE NA	WEIGHT 15.906 lbmass	SHEET 3 OF 3	