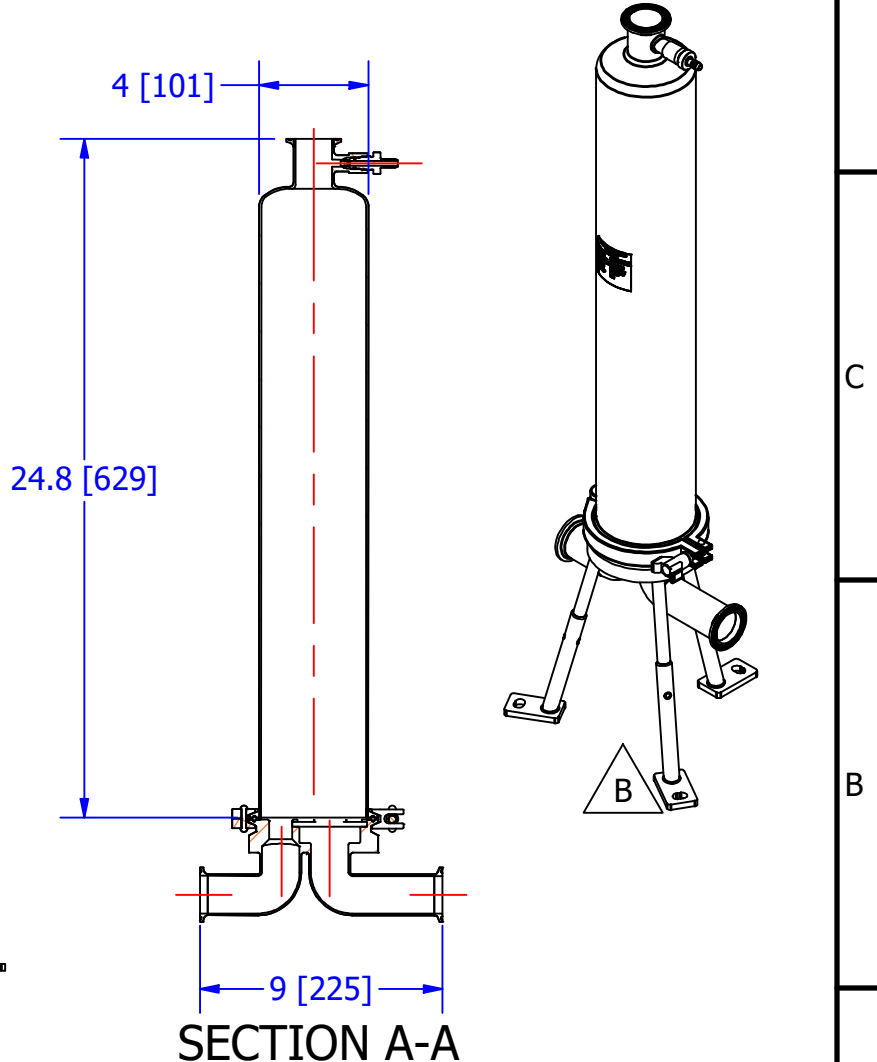
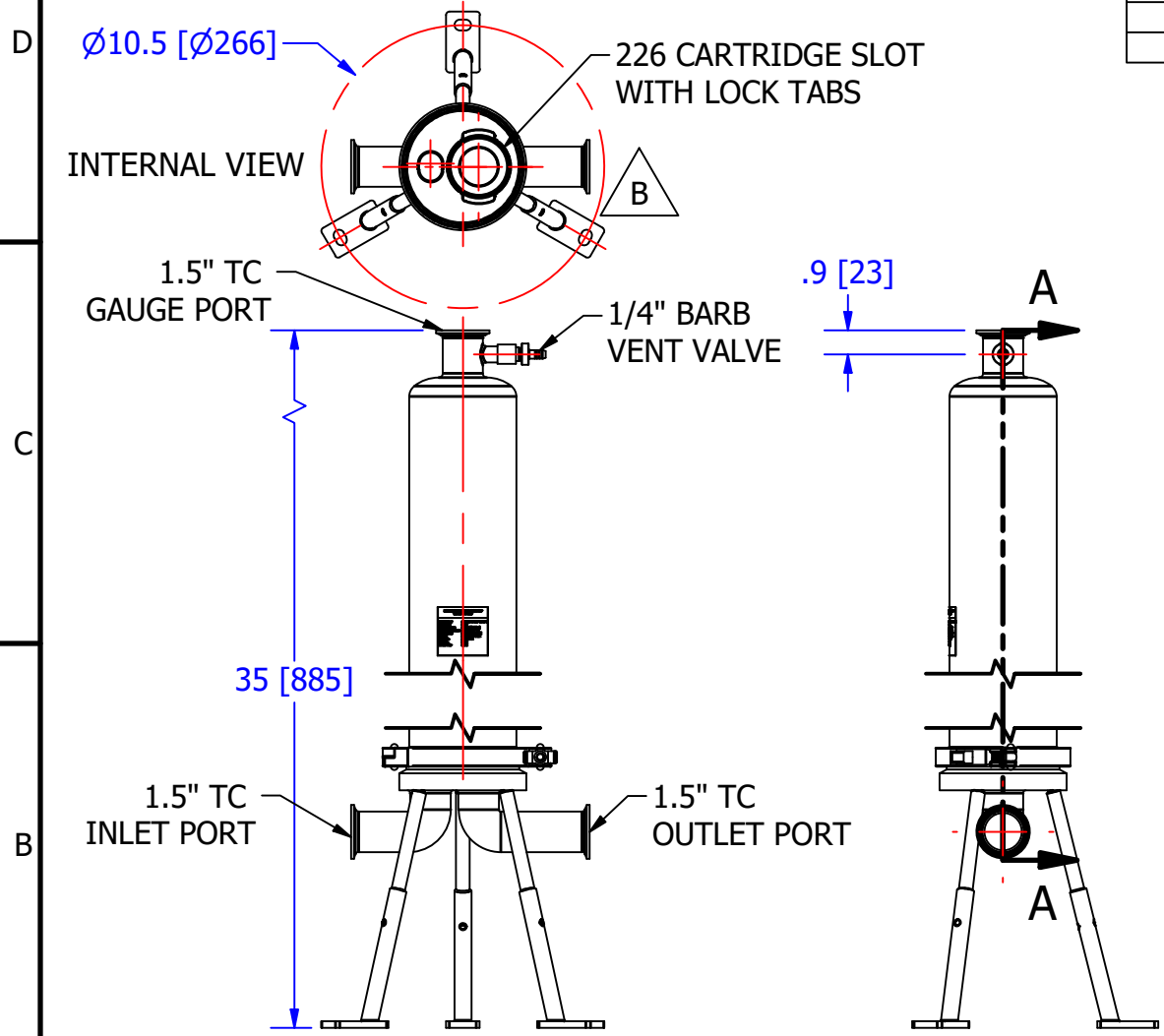


THIS DOCUMENT IS FOR REFERENCE ONLY AND IS PROPRIETARY INFORMATION BELONGING TO INTERNATIONAL FILTER PRODUCTS. UNAUTHORIZED COPIES OR USE FOR OTHER PURPOSES STRICTLY PROHIBITED.

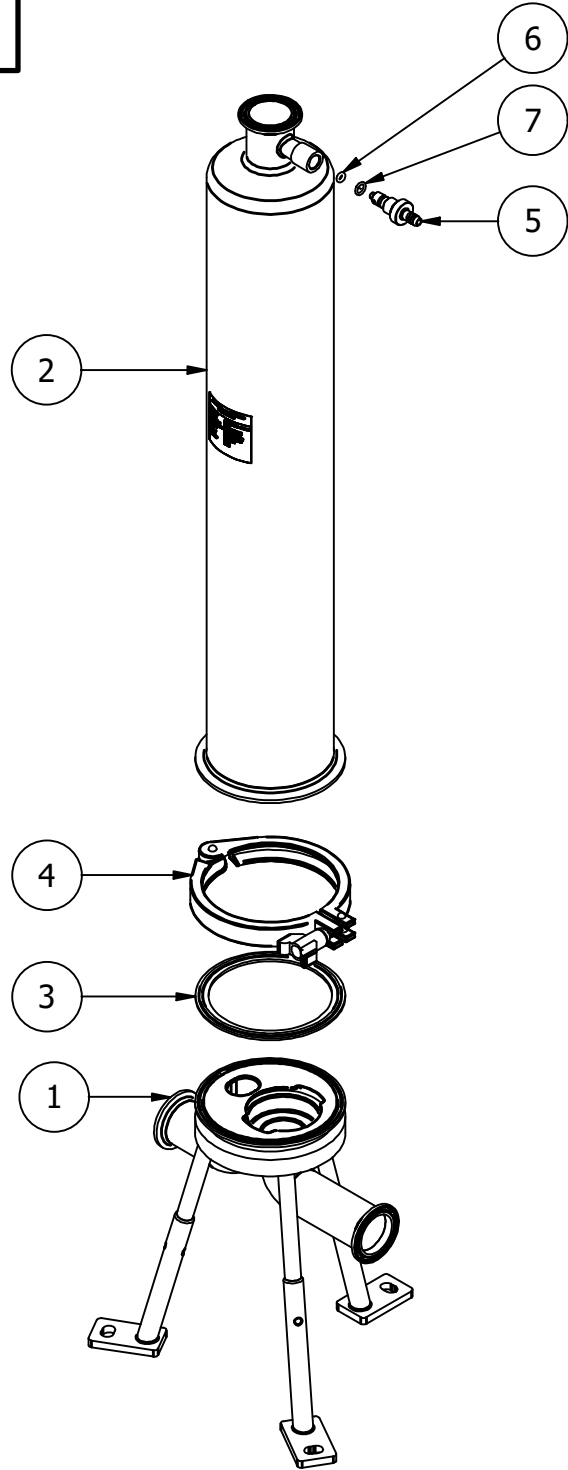
| REVISIONS | | | | |
|-----------|-----|-------------------------------------|------------|----------|
| ZONE | REV | DESCRIPTION | DATE | APPROVED |
| | - | Production Release | 12/20/2018 | YA Zanki |
| | A | Added Tab Feet for Mounting | 9/21/2022 | YA Zanki |
| | B | Increased Feet Bolt Circle Diameter | 8/28/2023 | YA Zanki |



- NOTES:
- DESIGN PRESSURE 125 PSI [8.5 BAR] @ 212 °F [100 °C]
 - FINISH INTERNAL: 16 RA; EXTERNAL 25 RA
 - UNIT IS DESIGNED TO ACCEPT FILTER CARTRIDGE:
 - 2.75 DIA., 20" LONG 226 O-RING FILTER CARTRIDGE W/FIN
 - FILTER HOUSING IS DESIGNED AND BUILT PER ASME 2010 DIVISION I SECTION VIII
 - SEAL MATERIAL: SILICONE, OTHER SEAL OPTIONS AVAILABLE

| | | |
|---|----------------------------------|---|
| DRAWN EA Flores CHECKED YA Zanki APPROVED CD Morland | 9/1/2023 9/1/2023 9/1/2023 | International Filter Products 7914 Ajay Drive Sun Valley, CA 91352 PHONE: 818-504-8115 FAX: 818-841-2947 email: www.internationalfilterproducts.com |
| UNLESS OTHERWISE SPECIFIED DIMENSIONS ARE IN INCHES | | TITLE |
| DECIMALS FRACTIONS +/- 1/16 X +/- .030 ANGLES +/- 1/2 XX +/- .015 SURFACE ROUGHNESS 125 XXX +/- .005 | | HOUSING, 20 INCH, 1.5-INCH I/O SSSH |
| SIZE A | ISOF NO | DWG NO 01-0210-2-2-226-1 B |
| SCALE NA | WEIGHT N/A | SHEET 1 OF 2 |

THIS DOCUMENT IS FOR REFERENCE ONLY AND IS PROPRIETARY INFORMATION BELONGING TO INTERNATIONAL FILTER PRODUCTS UNAUTHORIZED COPIES OR USE FOR OTHER PURPOSES STRICTLY PROHIBITED.



| REVISIONS | | | | |
|-----------|-----|-------------------------------------|------------|----------|
| ZONE | REV | DESCRIPTION | DATE | APPROVED |
| | - | Production Release | 12/20/2018 | YA Zanki |
| | A | Added Tab Feet for Mounting | 9/21/2022 | YA Zanki |
| | B | Increased Feet Bolt Circle Diameter | 8/28/2023 | YA Zanki |

| STANDARD SEAL KITS | |
|--------------------|--|
| PART NUMBER | DESCRIPTION |
| IFP-091-0001-B | SEALS, SSSH, SILICONE, 1.5 INCH I-O, KIT |
| IFP-091-0002-B | SEALS, SSSH, EPDM, 1.5 INCH I-O, KIT |
| IFP-091-0003-B | SEALS, SSSH, BUNA, 1.5 INCH I-O, KIT |
| IFP-091-0004-B | SEALS, SSSH, PTFE, 1.5 INCH I-O, KIT |
| IFP-091-0005-B | SEALS, SSSH, VITON, 1.5 INCH I-O, KIT |

| 7 | IFP-09T-0002 | SEAL, O-RING, 011, SILICONE | 1 |
|------|----------------|---|-----|
| 6 | IFP-09T-0001 | SEAL, O-RING, 105, SILICONE | 1 |
| 5 | IFP-03D-0001 | VALVE, VENT, 0.25 INCH, 316LSS | 1 |
| 4 | IFP-10E-0005 | CLAMP, TC, 4.0 INCH, 304 SS | 1 |
| 3 | IFP-09T-0106 | SEAL, TC, 4.0 INCH, SILICONE | 1 |
| 2 | IFP-02D-0203 | HOUSING, 20L DOME, SSSH, T-TYPE.ipt | 1 |
| 1 | IFP-02D-0200-5 | HOUSING, BASE, 1.5-INCH I/O, SSSH, T-TYPE | 1 |
| ITEM | PART NUMBER | DESCRIPTION | QTY |

| BILL OF MATERIALS | | | |
|--|-----------------------|---|--------|
| DRAWN EA Flores 9/1/2023 | | International Filter Products 7914 Ajay Drive Sun Valley, CA 91352 PHONE: 818-504-8115 FAX: 818-841-2947 email: www.internationalfilterproducts.com | |
| CHECKED YA Zanki 9/1/2023 | | | |
| APPROVED CD Morland 9/1/2023 | | | |
| UNLESS OTHERWISE SPECIFIED DIMENSIONS ARE IN INCHES | | | |
| DECIMALS | FRACTIONS +/- 1/16 | TITLE | |
| X +/- .030 | ANGLES +/- 1/2 | HOUSING, 20 INCH, 1.5-INCH I/O SSSH | |
| XX +/- .015 | SURFACE ROUGHNESS 125 | SIZE | REV |
| XXX +/- .005 | | A | B |
| CONCENTRICITIES .010 (FIM) | | SCALE | WEIGHT |
| INTERNAL RADII .015~.030 | | NA | N/A |
| BREAK CORNERS .005~.015 | | SHEET 2 OF 2 | |