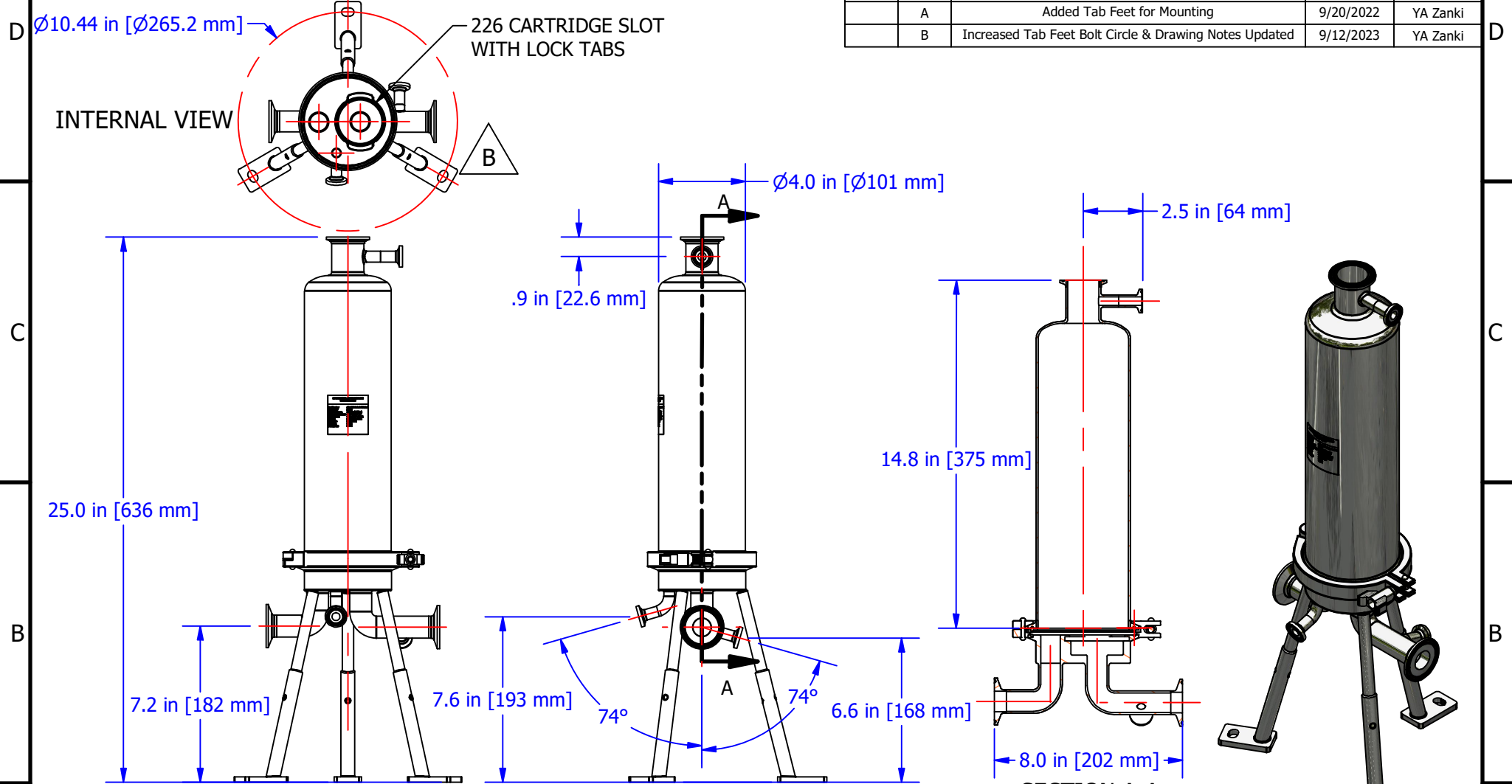


THIS DOCUMENT IS FOR REFERENCE ONLY AND IS PROPRIETARY INFORMATION BELONGING TO INTERNATIONAL FILTER PRODUCTS UNAUTHORIZED COPIES OR USE FOR OTHER PURPOSES STRICTLY PROHIBITED.

REVISIONS				
ZONE	REV	DESCRIPTION	DATE	APPROVED
	-	Production Release	2/2/2021	YA Zanki
	A	Added Tab Feet for Mounting	9/20/2022	YA Zanki
	B	Increased Tab Feet Bolt Circle & Drawing Notes Updated	9/12/2023	YA Zanki



NOTES:

- 1.0 DESIGN PRESSURE 125 PSI [8.5 BAR] @ 212 °F [100 °C]
- 2.0 FINISH INTERNAL: 8-10 RA; EXTERNAL 16 RA
- 3.0 UNIT IS DESIGNED TO ACCEPT FILTER CARTRIDGE: B
- 4.0 FILTER HOUSING IS DESIGNED AND BUILT PER ASME 2010 DIVISION I SECTION VIII
- 5.0 SEAL MATERIAL: SILICONE, OTHER SEAL OPTIONS AVAILABLE

DRAWN EA Flores CHECKED YA Zanki APPROVED CD Morland	9/12/2023 9/12/2023 9/12/2023	International Filter Products 7914 AJAY DRIVE SUN VALLEY, CA 91352 PHONE: 818-504-8115 FAX: 818-841-2947 email: charlie@internationalfilterproducts.com
UNLESS OTHERWISE SPECIFIED DIMENSIONS ARE IN INCHES DECIMALS FRACTIONS +/- 1/16 X +/- .030 ANGLES +/- 1/2 XX +/- .015 SURFACE ROUGHNESS 125 XXX +/- .005 CONCENTRICITIES .010 (FIM) INTERNAL RADII .015~.030 BREAK CORNERS .005~.015		TITLE HOUSING, 10 INCH, TC V-D, SSSH
SIZE A	ISOF NO DWG NO 01-0210-1-1-226-2	REV B
SCALE NA	WEIGHT 8.823 lbmass	SHEET 1 OF 3

4

3

2

1

D

D

C

C

B

B

A

A

4

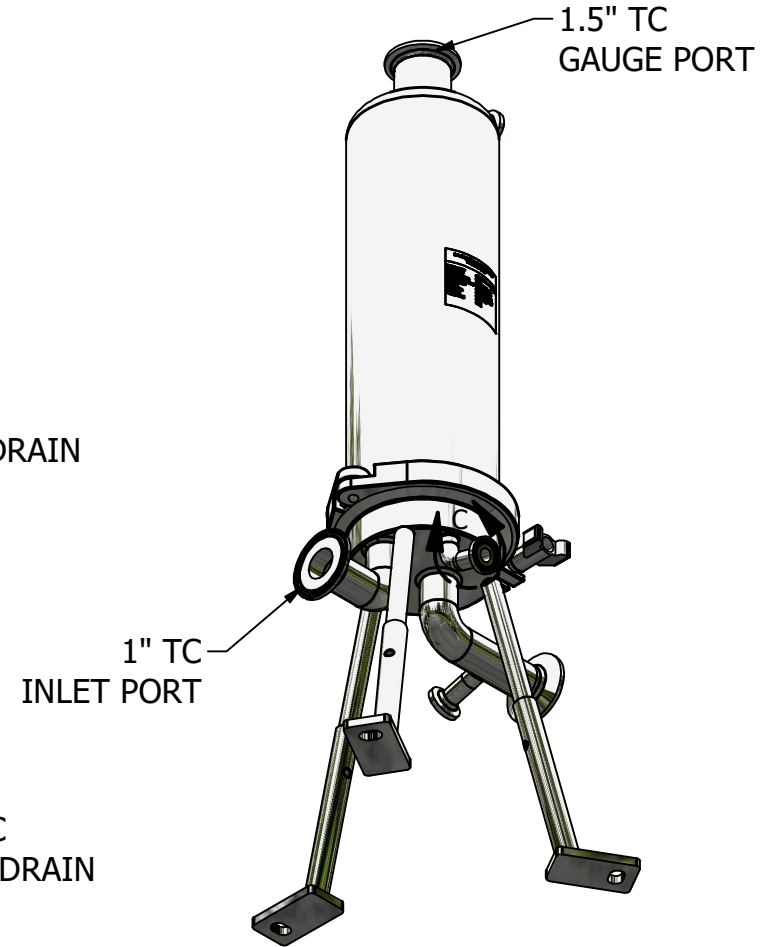
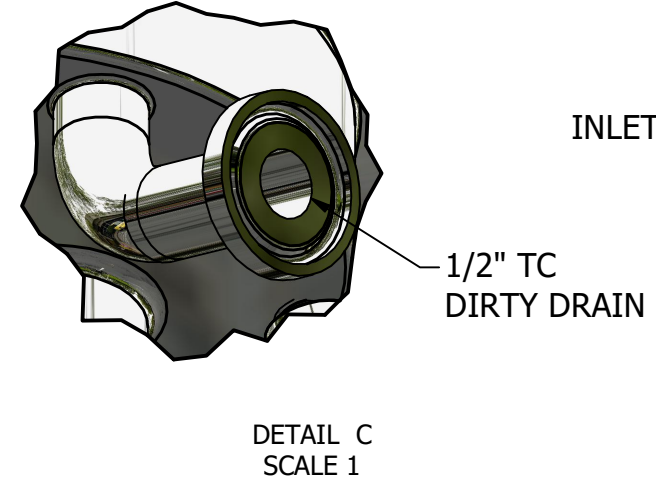
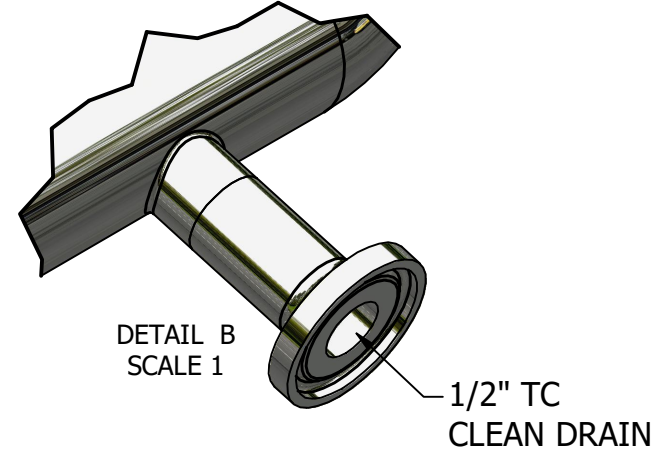
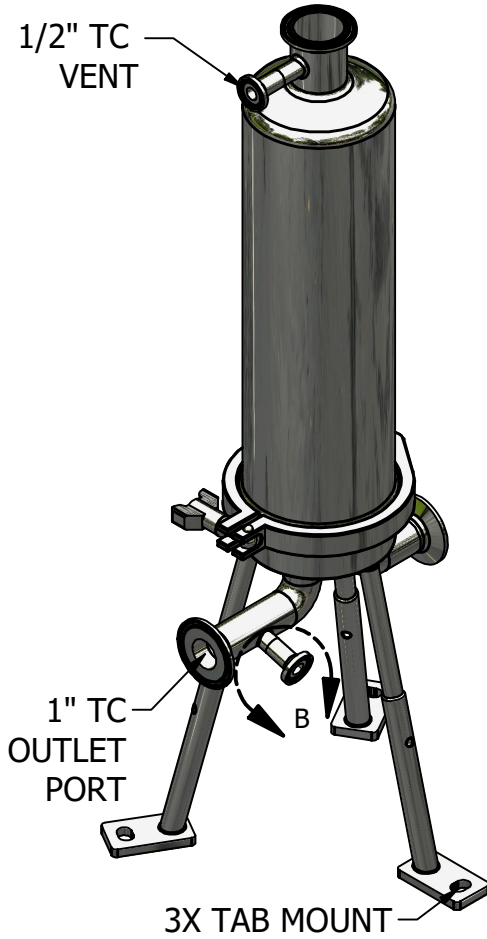
3

2

1

THIS DOCUMENT IS FOR REFERENCE ONLY AND IS PROPRIETARY INFORMATION BELONGING TO INTERNATIONAL FILTER PRODUCTS UNAUTHORIZED COPIES OR USE FOR OTHER PURPOSES STRICTLY PROHIBITED.

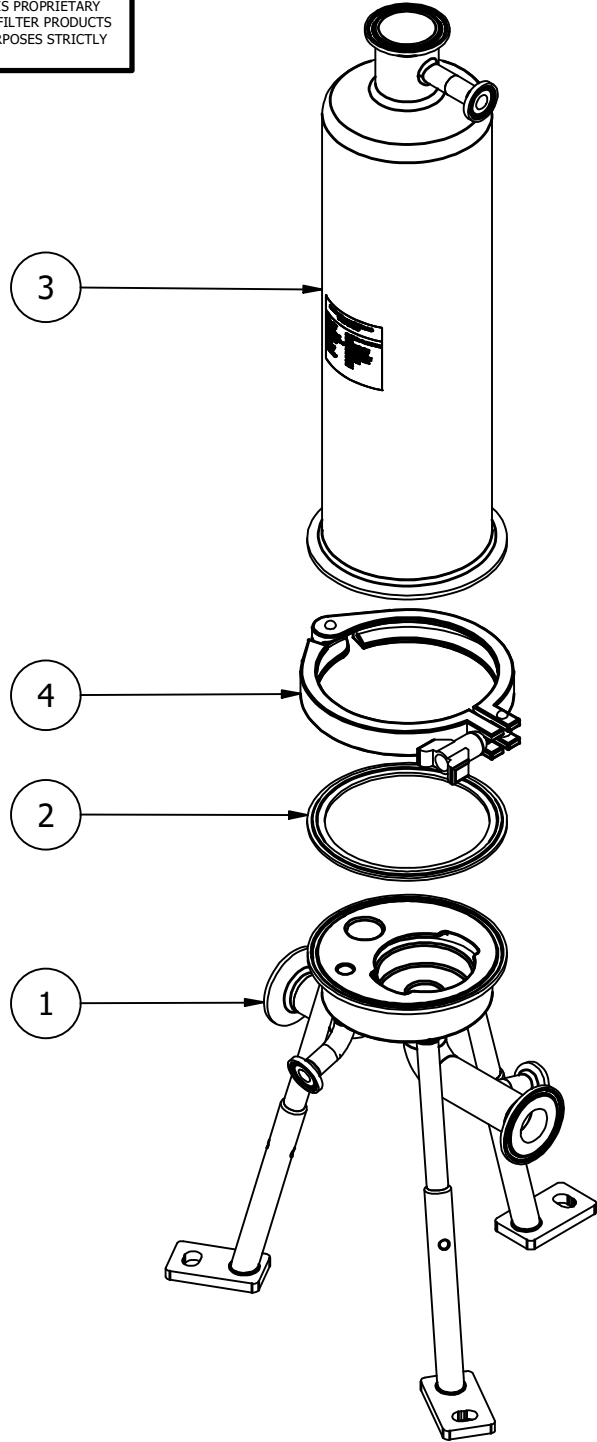
REVISIONS				
ZONE	REV	DESCRIPTION	DATE	APPROVED
	-	Production Release	2/2/2021	YA Zanki
	A	Added Tab Feet for Mounting	9/20/2022	YA Zanki
	B	Increased Tab Feet Bolt Circle & Drawing Notes Updated	9/12/2023	YA Zanki



DRAWN EA Flores 9/12/2023 CHECKED YA Zanki 9/12/2023 APPROVED CD Morland 9/12/2023	International Filter Products 7914 AJAY DRIVE SUN VALLEY, CA 91352 PHONE: 818-504-8115 FAX: 818-841-2947 email: charlie@internationalfilterproducts.com
UNLESS OTHERWISE SPECIFIED DIMENSIONS ARE IN INCHES	
DECIMALS X +/- .030 XX +/- .015 XXX +/- .005	FRACTIONS +/- 1/16 ANGLES +/- 1/2 SURFACE ROUGHNESS 125
CONCENTRICITIES .010 (FIM) INTERNAL RADII .015~.030 BREAK CORNERS .005~.015	
TITLE HOUSING, 10 INCH, TC V-D, SSSH	
SIZE A	ISOF NO DWG NO 01-0210-1-1-226-2 REV B
SCALE NA	WEIGHT 8.823 lbmass SHEET 2 OF 3

THIS DOCUMENT IS FOR REFERENCE ONLY AND IS PROPRIETARY INFORMATION BELONGING TO INTERNATIONAL FILTER PRODUCTS UNAUTHORIZED COPIES OR USE FOR OTHER PURPOSES STRICTLY PROHIBITED.

REVISIONS				
ZONE	REV	DESCRIPTION	DATE	APPROVED
	-	Production Release	2/2/2021	YA Zanki
	A	Added Tab Feet for Mounting	9/20/2022	YA Zanki
	B	Increased Tab Feet Bolt Circle & Drawing Notes Updated	9/12/2023	YA Zanki



STANDARD SEAL KITS	
PART NUMBER	DESCRIPTION
IFP-091-0021	SEALS, SSSH, TC, SILICONE, KIT
IFP-091-0022	SEALS, SSSH, TC, EPDM, KIT
IFP-091-0023	SEALS, SSSH, TC, BUNA, KIT
IFP-091-0024	SEALS, SSSH, TC, PTFE, KIT
IFP-091-0025	SEALS, SSSH, TC, VITON, KIT

4	IFP-10E-0005	CLAMP, TC, 4.0 INCH, 304 SS	1
2	IFP-09T-0106	SEAL, TC, 4.0 INCH, SILICONE	1
3	IFP-02D-0213	HOUSING, 10L DOME, 0.5 TC VENT, SSSH, T-TYPE	1
1	IFP-02D-0210	HOUSING, BASE, 0.5 TC DRAIN, SSSH, T-TYPE	1
ITEM	PART NUMBER	DESCRIPTION	QTY

BILL OF MATERIALS			
DRAWN EA Flores 9/12/2023	CHECKED YA Zanki 9/12/2023	APPROVED CD Morland 9/12/2023	International Filter Products 7914 AJAY DRIVE SUN VALLEY, CA 91352 PHONE: 818-504-8115 FAX: 818-841-2947 email: charlie@internationalfilterproducts.com
UNLESS OTHERWISE SPECIFIED DIMENSIONS ARE IN INCHES DECIMALS FRACTIONS +/- 1/16 X +/- .030 ANGLES +/- 1/2 XX +/- .015 SURFACE ROUGHNESS 125 XXX +/- .005 CONCENTRICITIES .010 (FIM) INTERNAL RADII .015~.030 BREAK CORNERS .005~.015			TITLE HOUSING, 10 INCH, TC V-D, SSSH
SIZE A	ISOF NO	DWG NO 01-0210-1-1-226-2	REV B
SCALE NA	WEIGHT 8.823 lbmass	SHEET 3 OF 3	