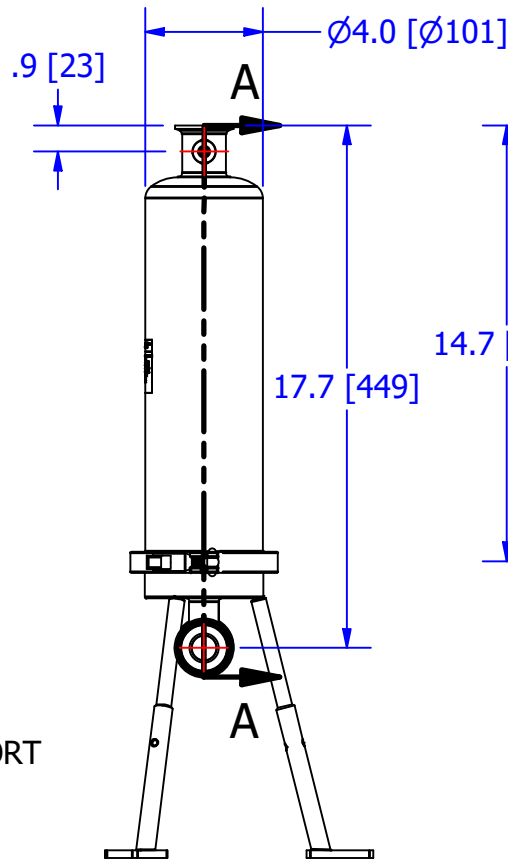
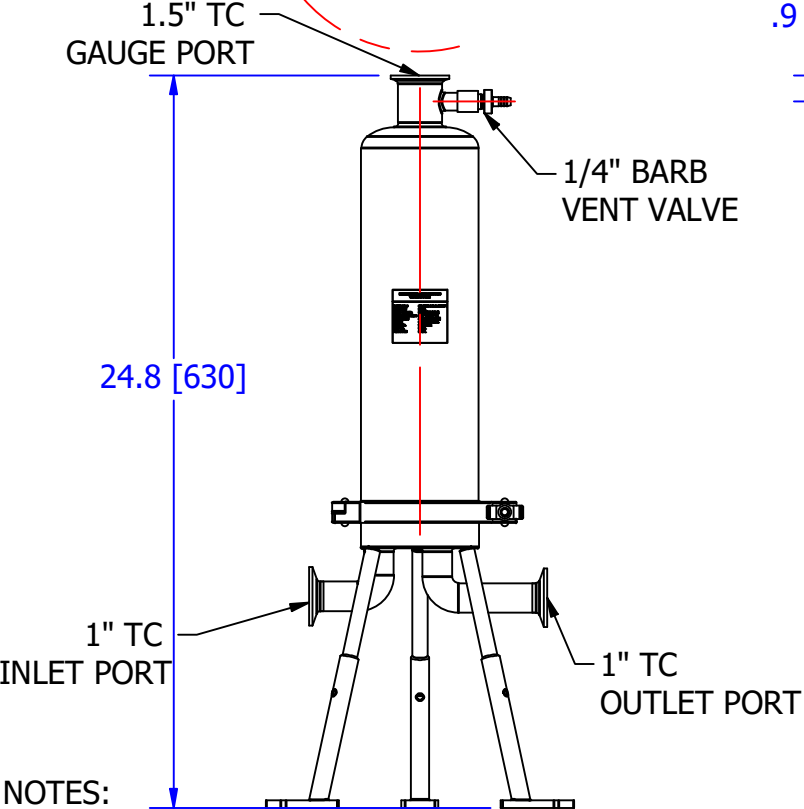
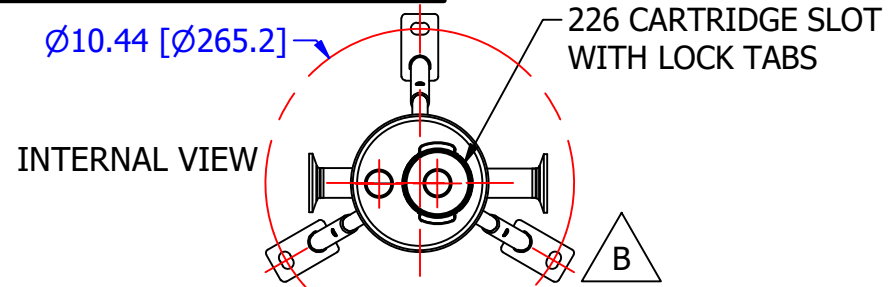


THIS DOCUMENT IS FOR REFERENCE ONLY AND IS PROPRIETARY INFORMATION BELONGING TO INTERNATIONAL FILTER PRODUCTS UNAUTHORIZED COPIES OR USE FOR OTHER PURPOSES STRICTLY PROHIBITED.

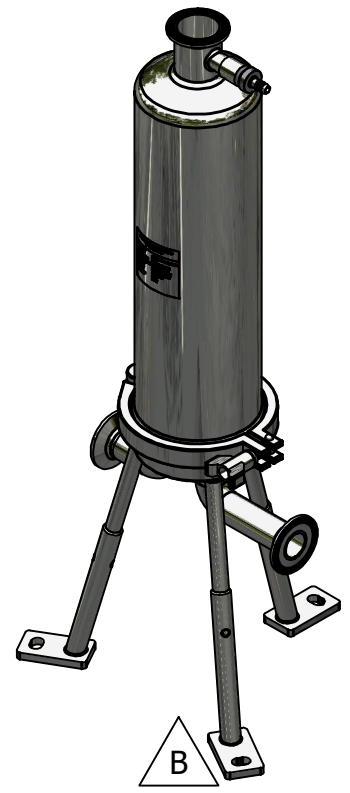
REVISIONS				
ZONE	REV	DESCRIPTION	DATE	APPROVED
	-	Production Release	12/02/2018	YA Zanki
	A	Added Tab Feet for Mounting	9/20/2022	YA Zanki
	B	Increased Feet Bolt Circle Diameter	8/28/2023	YA Zanki

D

D



SECTION A-A



C

B

NOTES:

- 1.0 DESIGN PRESSURE 125 PSI [8.5 BAR] @ 212 °F [100 °C]
- 2.0 FINISH INTERNAL: 16 RA; EXTERNAL 25 RA
- 3.0 UNIT IS DESIGNED TO ACCEPT FILTER CARTRIDGE:
  - (1) 2.75 DIA., 10" LONG 226 O-RING FILTER CARTRIDGE W/FIN
- 4.0 FILTER HOUSING IS DESIGNED AND BUILT PER ASME 2010 DIVISION I SECTION VIII
- 5.0 SEAL MATERIAL: SILICONE, OTHER SEAL OPTIONS AVAILABLE

DRAWN EA Flores 8/30/2023 CHECKED YA Zanki 8/30/2023 APPROVED CD Morland 8/30/2023	<b>International Filter Products</b> 7914 Ajay Drive Sun Valley, CA 91352 PHONE: 818-504-8115 FAX: 818-841-2947 email: www.internationalfilterproducts.com
UNLESS OTHERWISE SPECIFIED DIMENSIONS ARE IN INCHES DECIMALS FRACTIONS +/- 1/16 X +/- .030 ANGLES +/- 1/2 XX +/- .015 SURFACE ROUGHNESS 125 XXX +/- .005 CONCENTRICITIES .010 (FIM) INTERNAL RADII .015~.030 BREAK CORNERS .005~.015	
TITLE <b>HOUSING, 10 INCH, SSSH</b>	
SIZE <b>A</b>	ISOF NO DWG NO <b>01-0210-1-1-226-1</b>
SCALE NA	WEIGHT N/A
SHEET <b>1</b> OF <b>2</b>	

A

A

4

3

2

1

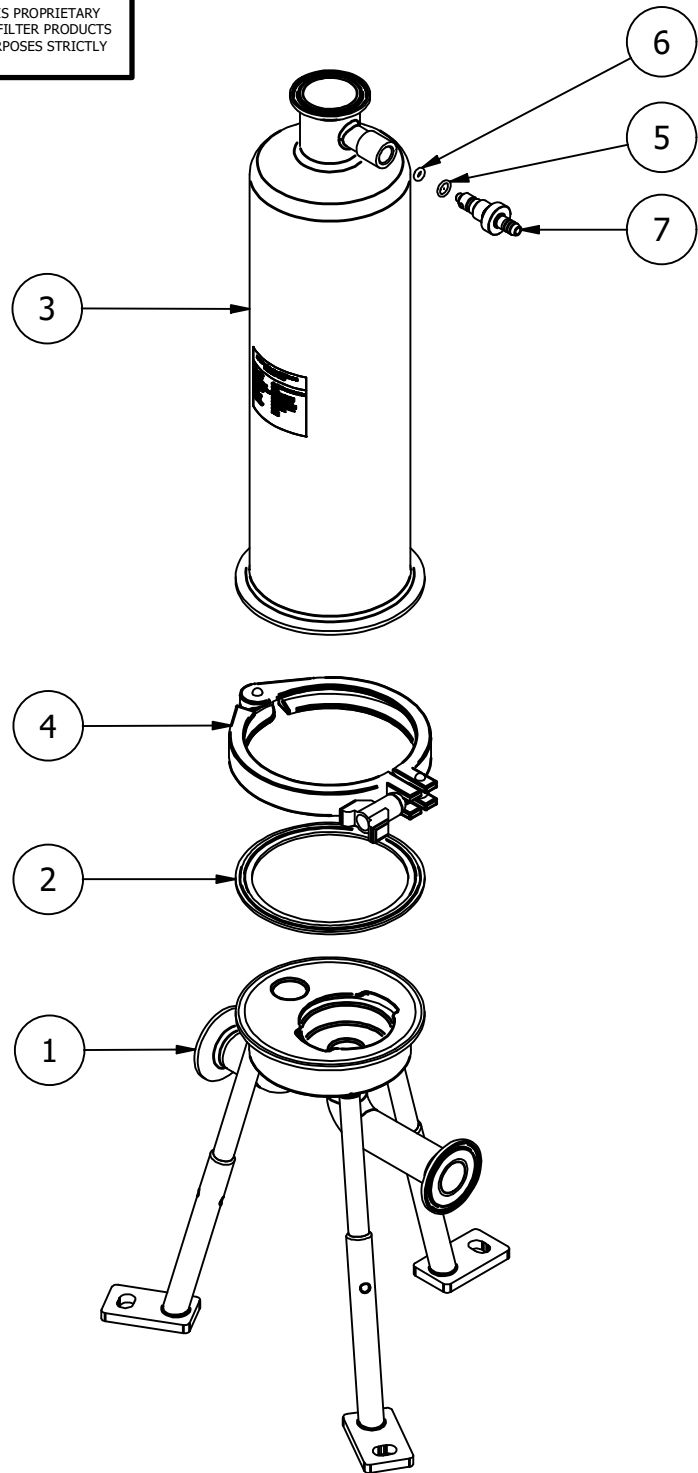
THIS DOCUMENT IS FOR REFERENCE ONLY AND IS PROPRIETARY INFORMATION BELONGING TO INTERNATIONAL FILTER PRODUCTS UNAUTHORIZED COPIES OR USE FOR OTHER PURPOSES STRICTLY PROHIBITED.

D

C

B

A



REVISIONS				
ZONE	REV	DESCRIPTION	DATE	APPROVED
	-	Production Release	12/02/2018	YA Zanki
	A	Added Tab Feet for Mounting	9/20/2022	YA Zanki
	B	Increased Feet Bolt Circle Diameter	8/28/2023	YA Zanki

STANDARD SEAL KITS	
PART NUMBER	DESCRIPTION
IFP-091-0001	SEALS, SSSH, SILICONE, KIT
IFP-091-0002	SEALS, SSSH, EPDM, KIT
IFP-091-0003	SEALS, SSSH, BUNA, KIT
IFP-091-0004	SEALS, SSSH, PTFE, KIT
IFP-091-0005	SEALS, SSSH, VITON, KIT

7	IFP-03D-0001	VALVE, VENT, 0.25 INCH, 316LSS	1
6	IFP-09T-0001	SEAL, O-RING, 105, SILICONE	1
5	IFP-09T-0002	SEAL, O-RING, 011, SILICONE	1
4	IFP-10E-0005	CLAMP, TC, 4.0 INCH, 304 SS	1
3	IFP-02D-0202	HOUSING, DOME, SSSH, T-TYPE	1
2	IFP-09T-0106	SEAL, TC, 4.0 INCH, SILICONE	1
1	IFP-02D-0200	HOUSING, BASE, SSSH, T-TYPE	1
ITEM	PART NUMBER	DESCRIPTION	QTY

BILL OF MATERIALS			
DRAWN EA Flores 8/30/2023	<b>International Filter Products</b> 7914 Ajay Drive Sun Valley, CA 91352 PHONE: 818-504-8115 FAX: 818-841-2947 email: www.internationalfilterproducts.com		
CHECKED YA Zanki 8/30/2023	TITLE		
APPROVED CD Morland 8/30/2023	<b>HOUSING, 10 INCH, SSSH</b> SIZE <b>A</b> ISOF NO DWG NO <b>01-0210-1-1-226-1</b> REV <b>B</b>		
UNLESS OTHERWISE SPECIFIED DIMENSIONS ARE IN INCHES DECIMALS FRACTIONS +/- 1/16 X +/- .030 ANGLES +/- 1/2 XX +/- .015 SURFACE ROUGHNESS 125 XXX +/- .005 CONCENTRICITIES .010 (FIM) INTERNAL RADII .015~.030 BREAK CORNERS .005~.015		SCALE	WEIGHT
		NA	N/A
		SHEET <b>2</b> OF <b>2</b>	

4

3

2

1

D

C

B

A