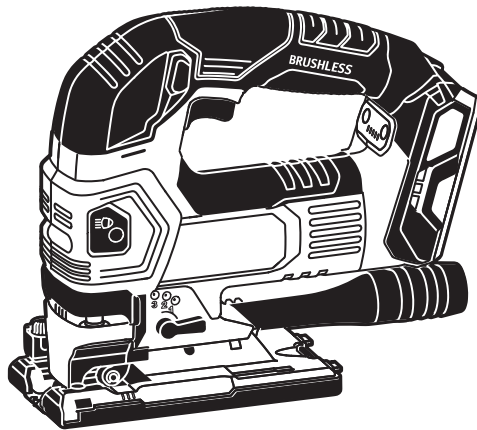


# FLEX

**OPERATOR'S MANUAL  
MANUAL DEL OPERADOR  
MANUEL DE L'UTILISATEUR**



Model:  
Modelo:  
Modèle:

## FX2231

**24V CORDLESS JIG SAW  
SCIE SAUTEUSE SANS FIL DE 24 V  
SIERRA CALADORA INALÁMBRICA DE 24 V**

Contact Us /  
Nous contacter /  
Contáctenos



833-FLEX-496  
(833-3539-496)



[www.Registermyflex.com](http://www.Registermyflex.com)



For English  
Version

See page 2

Version  
française

Voir page 23





Versión en  
español

Ver la página 46

## SAFETY SYMBOLS

The purpose of safety symbols is to attract your attention to possible dangers. The safety symbols and the explanations with them deserve your careful attention and understanding. The symbol warnings do not, by themselves, eliminate any danger. The instructions and warnings they give are no substitutes for proper accident prevention measures.

**⚠ WARNING** Be sure to read and understand all safety instructions in this Owner's Manual, including all safety alert symbols such as “**DANGER**,” “**WARNING**,” and “**CAUTION**” before using this tool. Failure to follow all instructions listed below may result in electric shock, fire, and/or serious personal injury.

The definitions below describe the level of severity for each signal word. Please read the manual and pay attention to these symbols.	
	This is the safety alert symbol. It is used to alert you to potential personal injury hazards. Obey all safety messages that follow this symbol to avoid possible injury or death.
	DANGER indicates a hazardous situation which, if not avoided, will result in death or serious injury.
	WARNING indicates a hazardous situation which, if not avoided, could result in death or serious injury.
	CAUTION, used with the safety alert symbol, indicates a hazardous situation which, if not avoided, will result in minor or moderate injury.

### Damage Prevention and Information Messages

These inform the user of important information and/or instructions that could lead to equipment or other property damage if they are not followed. Each message is preceded by the word “NOTICE”, as in the example below:

**NOTICE:** Equipment and/or property damage may result if these instructions are not followed.



**⚠ WARNING** The operation of any power tools can result in foreign objects being thrown into your eyes, which can result in severe eye damage. Before beginning power tool operation, always wear safety goggles or safety glasses with side shields and a full face shield when needed. We recommend a Wide Vision Safety Mask for use over eyeglasses or standard safety glasses with side shields. Always use eye protection which is marked to comply with ANSI Z87.1.

# GENERAL POWER TOOL SAFETY WARNINGS



**Read all safety warnings, instructions, illustrations and specifications provided with this power tool.** Failure to follow all instructions listed below may result in electric shock, fire and/or serious injury.

## SAVE ALL WARNINGS AND INSTRUCTIONS FOR FUTURE REFERENCE.

The term “power tool” in the warnings refers to your mains-operated (corded) power tool or battery-operated (cordless) power tool.

### Work area safety

**Keep work area clean and well lit.** Cluttered or dark areas invite accidents.

**Do not operate power tools in explosive atmospheres, such as in the presence of flammable liquids, gases or dust.** Power tools create sparks which may ignite the dust or fumes.

**Keep children and bystanders away while operating a power tool.** Distractions can cause you to lose control.

### Electrical safety

**Power tool plugs must match the outlet. Never modify the plug in any way. Do not use any adapter plugs with earthed (grounded) power tools.** Unmodified plugs and matching outlets will reduce risk of electric shock.

**Avoid body contact with earthed or grounded surfaces, such as pipes, radiators, ranges and refrigerators.** There is an increased risk of electric shock if your body is earthed or grounded.

**Do not expose power tools to rain or wet conditions.** Water entering a power tool will increase the risk of electric shock.

**Do not abuse the cord. Never use the cord for carrying, pulling or unplugging the power tool. Keep cord away from heat, oil, sharp edges or moving parts.** Damaged or entangled cords increase the risk of electric shock.

**When operating a power tool outdoors, use an extension cord suitable for outdoor use.** Use of a cord suitable for outdoor use reduces the risk of electric shock.

**If operating a power tool in a damp location is unavoidable, use a ground fault circuit interrupter (GFCI) protected supply.** Use of an GFCI reduces the risk of electric shock.

### Personal safety

**Stay alert, watch what you are doing and use common sense when operating a power tool. Do not use a power tool while you are tired or under the influence of drugs, alcohol or medication.** A moment of inattention while operating power tools may result in serious personal injury.

**Use personal protective equipment. Always wear eye protection.** Protective equipment such as a dust mask, non-skid safety shoes, hard hat or hearing protection used for appropriate conditions will reduce personal injuries.

**Prevent unintentional starting. Ensure the switch is in the off-position before connecting to power source and/or battery pack, picking up or carrying the tool.** Carrying power tools with your finger on the switch or energizing power tools that have the switch on invites accidents.

**Remove any adjusting key or wrench before turning the power tool on.** A wrench or a key left attached to a rotating part of the power tool may result in personal injury.

**Do not overreach. Keep proper footing and balance at all times.** This enables better control of the power tool in unexpected situations.

**Dress properly. Do not wear loose clothing or jewelry. Keep your hair and clothing away from moving parts.** Loose clothes, jewelry or long hair can be caught in moving parts.

**If devices are provided for the connection of dust extraction and collection facilities, ensure these are connected and properly used.** Use of dust collection can reduce dust-related hazards.

**Do not let familiarity gained from frequent use of tools allow you to become complacent and ignore tool safety principles.** A careless action can cause severe injury within a fraction of a second.

## Power tool use and care

**Do not force the power tool. Use the correct power tool for your application.** The correct power tool will do the job better and safer at the rate for which it was designed.

**Do not use the power tool if the switch does not turn it on and off.** Any power tool that cannot be controlled with the switch is dangerous and must be repaired.

**Disconnect the plug from the power source and/or remove the battery pack, if detachable, from the power tool before making any adjustments, changing accessories, or storing power tools.** Such preventive safety measures reduce the risk of starting the power tool accidentally.

**Store idle power tools out of the reach of children and do not allow persons unfamiliar with the power tool or these instructions to operate the power tool.** Power tools are dangerous in the hands of untrained users.

**Maintain power tools and accessories. Check for misalignment or binding of moving parts, breakage of parts and any other condition that may affect the power tool's operation. If damaged, have the power tool repaired before use.** Many accidents are caused by poorly maintained power tools.

**Keep cutting tools sharp and clean.** Properly maintained cutting tools with sharp cutting edges are less likely to bind and are easier to control.

**Use the power tool, accessories and tool bits etc. in accordance with these instructions, taking into account the working conditions and the work to be performed.**

Use of the power tool for operations different from those intended could result in a hazardous situation.

**Keep handles and grasping surfaces dry, clean and free from oil and grease.** Slippery handles and grasping surfaces do not allow for safe handling and control of the tool in unexpected situations.

## Battery tool use and care

**Recharge only with the charger specified by the manufacturer.** A charger that is suitable for one type of battery pack may create a risk of fire when used with another battery pack.

**Use power tools only with specifically designated battery packs.** Use of any other battery packs may create a risk of injury and fire.

**When battery pack is not in use, keep it away from other metal objects, like paper clips, coins, keys, nails, screws or other small metal objects, that can make a connection from one terminal to another.** Shorting the battery terminals together may cause burns or a fire.

**Under abusive conditions, liquid may be ejected from the battery; avoid contact. If contact accidentally occurs, flush with water. If liquid contacts eyes, additionally seek medical help.** Liquid ejected from the battery may cause irritation or burns.

**Do not use a battery pack or tool that is damaged or modified.** Damaged or modified batteries may exhibit unpredictable behavior resulting in fire, explosion or risk of injury.

**Do not expose a battery pack or tool to fire or excessive temperature.** Exposure to fire or temperature above 265°F (130°C) may cause explosion.

**Follow all charging instructions and do not charge the battery pack or tool outside the temperature range specified in the instructions.** Charging improperly or at temperatures outside the specified range may damage the battery and increase the risk of fire.

## Service

**Have your power tool serviced by a qualified repair person using only identical replacement parts.** This will ensure that the safety of the power tool is maintained.

**Never service damaged battery packs.** Service of battery packs should only be performed by the manufacturer or authorized service providers.

## SAFETY WARNINGS FOR JIG SAW

**Hold the power tool by insulated gripping surfaces, when performing an operation where the cutting accessory may contact hidden wiring.** Cutting accessory contacting a “live” wire may make exposed metal parts of the power tool “live” and could give the operator an electric shock.










**Use clamps or another practical way to secure and support the workpiece to a stable platform.** Holding the workpiece by hand or against your body leaves it unstable and may lead to loss of control.




### **WARNING**

- Some dust created by power sanding, sawing, grinding, drilling and other construction activities contains chemicals known to the State of California to cause cancer, birth defects or other reproductive harm. Some examples of these chemicals are:
  - Lead from lead-based paints.
  - Crystalline silica from bricks, cement, and other masonry products.
  - Arsenic and chromium from chemically-treated lumber.
- Your risk from these exposures varies, depending upon how often you do this type of work. To reduce your exposure to these chemicals:
  - Work in a well-ventilated area.
  - Work with approved safety equipment, such as dust masks that are specially designed to filter out microscopic particles.
  - Avoid prolonged contact with dust from power sanding, sawing, grinding, drilling, and other construction activities. Wear protective clothing and wash exposed areas with soap and water. Allowing dust to get into your mouth or eyes or to lie on the skin may promote absorption of harmful chemicals.







## SYMBOLS

**IMPORTANT:** Some of the following symbols may be used on your tool. Please study them and learn their meaning. Proper interpretation of these symbols will allow you to operate the tool better and safer.

Symbol	Name	Designation/Explanation
V	Volts	Voltage
A	Amperes	Current
Hz	Hertz	Frequency (cycles per second)
W	Watt	Power
kg	Kilograms	Weight
min	Minutes	Time
s	Seconds	Time
Wh	Watt-hours	Battery capacity
Ah	Ampere-hours	Battery capacity
∅	Diameter	Size of drill bits, grinding wheels, etc.
$n_0$	No load speed	Rotational speed, at no load
n	Rated speed	Maximum attainable speed
.../min	Revolutions or reciprocations per minute (rpm)	Revolutions, strokes, surface speed, orbits, etc. per minute
O	Off position	Zero speed, zero torque...
1,2,3,... I,II,III,	Selector settings	Speed, torque, or position settings. Higher number means greater speed
	Infinitely variable selector with off	Speed is increasing from 0 setting
	Arrow	Action in the direction of arrow
	Alternating current (AC)	Type or a characteristic of current
	Direct current (DC)	Type or a characteristic of current
	Alternating or direct current (AC / DC)	Type or a characteristic of current
	Class II tool	Designates Double Insulated Construction tools.
	Protective earth	Grounding terminal
	Li-ion RBRC seal	Designates Li-ion battery recycling program
	Read the instructions	Alerts user to read manual

Symbol	Name	Designation/Explanation
	Wear eye protection symbol	Alerts user to wear eye protection
	Always operate with two hands	Alerts user to always operate with two hands
	Do not use the guard for cut-off operations	Do not use the guard for cut-off operations

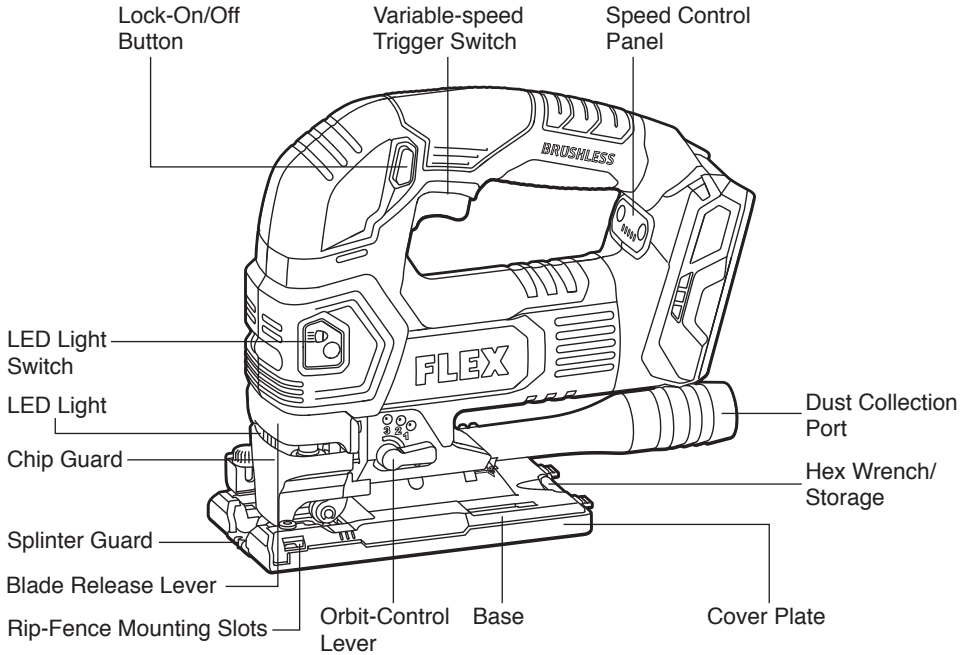
## SYMBOLS (CERTIFICATION INFORMATION)

Symbol	Designation/Explanation
	This symbol designates that this tool is listed by Underwriters Laboratories.
	This symbol designates that this component is recognized by Underwriters Laboratories.
	This symbol designates that this tool is listed by Underwriters Laboratories, to United States and Canadian Standards.
	This symbol designates that this tool is listed by the Canadian Standards Association.
	This symbol designates that this tool is listed by the Canadian Standards Association, to United States and Canadian Standards.
	This symbol designates that this tool is listed by the Intertek Testing Services, to United States and Canadian Standards.

# FUNCTIONAL DESCRIPTIONS AND SPECIFICATIONS

## Cordless Jig Saw

**Fig. 1**



Model No.		FX2231
Rated Voltage		24 V d.c.
Speed Range (strokes per minute)		0 – 3500 /min
Speed Presets		1, 2, 3, 4, Auto
Stroke Length		1" (25mm)
Pendulum Stroke		Off plus 3 orbit settings
Maximum Depth of Cut (with appropriate blade)	Wood	4.72" (120mm)
	Aluminum	0.79" (20mm)
	Steel	0.39" (10mm)
Bevel Angle		0° – 45° both sides
Recommended operating temperature		-4 – 104°F (-20 – 40°C)
Recommended storage temperature		< 122°F (< 50°C)



## ASSEMBLY

**⚠ WARNING** Detach the battery pack from the tool before making any assembly, adjustments or changing accessories. Such preventive safety measures reduce the risk of starting the tool accidentally.

### TO ATTACH/DETACH BATTERY PACK

**⚠ WARNING** Always switch off the tool before attaching or detaching of the battery pack.

#### To attach the battery pack:

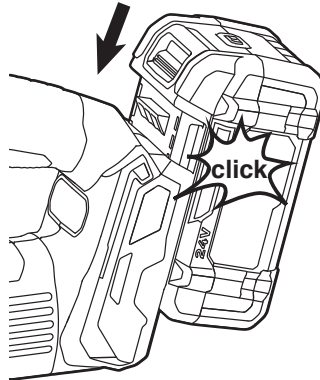
Align the raised rib on the battery pack with the grooves on the tool, and then slide the battery pack onto the tool (Fig. 2).

**NOTICE:** When placing the battery pack on the tool, be sure that the raised rib on the battery pack aligns with the groove inside the tool and that the latches snap into place properly. Improper attachment of the battery pack can cause damage to internal components.

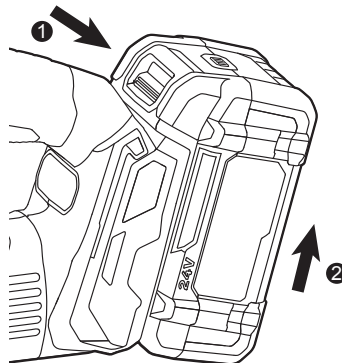
#### To detach the battery pack:

Depress the battery-release button, located on the front of the battery pack, to release the battery pack. Pull the battery pack out and remove it from the tool (Fig. 3).

**Fig. 2**



**Fig. 3**



## INSTALLING AND REMOVING THE SAW BLADE

### To install the saw blade (Fig. 4):

- Insert the blade (with its teeth facing the cutting direction) into the slot of the blade holder as far as the blade can go.
- Pull down on the blade to verify that the blade is securely locked in place.

**NOTICE:** When inserting the saw blade, the back of the blade must rest in the groove of the guide roller.

The tool can only accept most commonly available T-shank blades.

### To remove the saw blade (Fig. 5):

- Rotate the blade release lever and remove the saw blade.
- Release the blade release lever.

**⚠ WARNING** Always wear protective gloves when removing the saw blade from the tool. The saw blade is sharp and may be hot after prolonged use.

Fig. 4

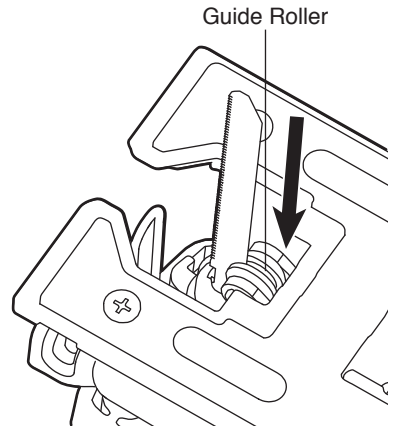
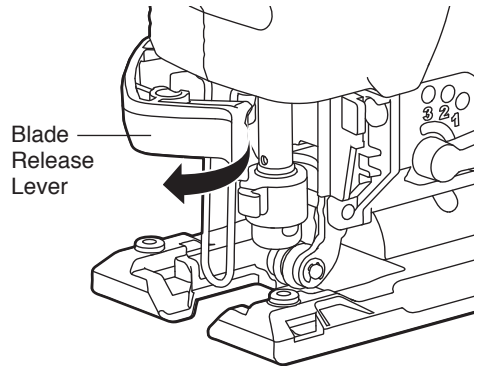


Fig. 5



## INSTALLING AND REMOVING ACCESSORIES

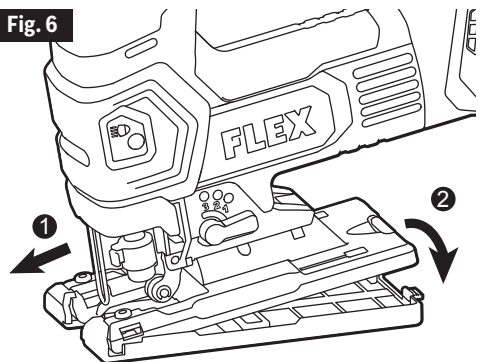
### COVER PLATE

**NOTICE:** Use the cover plate when cutting decorative veneers, plastics, etc. It protects sensitive or delicate surfaces from damage. It is mounted on the bottom of the tool base.

#### Installation:

Insert the front of the base into the front of the cover plate and lower the jig saw (Fig. 6).

Fig. 6

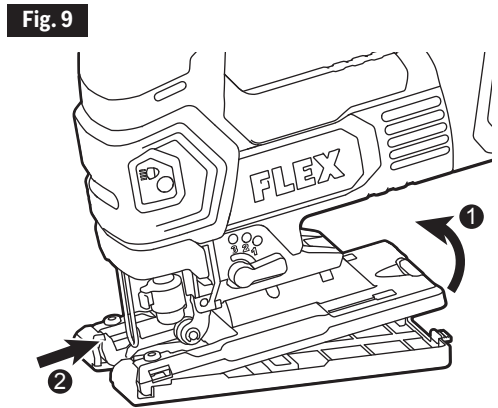
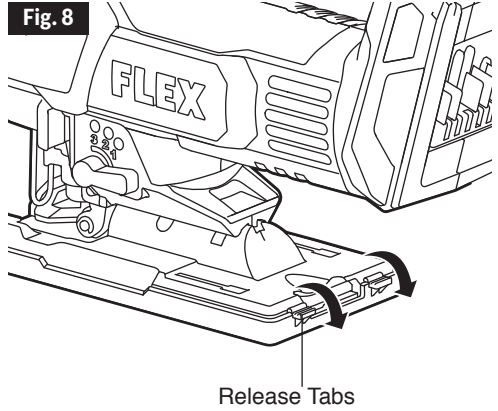
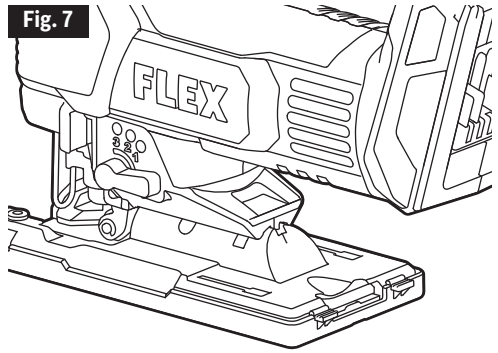


The cover plate should snap securely and audibly onto the rear of the base (Fig. 7).

**Removal:**

Press down on the two release tabs and slide the cover plate forward about 1/2 inch.

Lift the cover plate off the base to remove it (Fig. 8 & 9).



## SPLINTER GUARD

The clear plastic splinter guard serves as a zero-clearance throat along the blade to reduce splintering of the top surface of the workpiece. The splinter guard is a consumable component that should be replaced when worn out or when blades of different thicknesses are used.

**⚠ WARNING** This procedure requires the saw to be powered and in operation during a portion of the installation procedure. Care must be taken to prevent personal injury. Remove the battery pack when instructed to do so.

### Installation:

- Remove the battery pack to prevent accidental starting.
- Rotate the orbit-control lever to the zero (0) position.
- Slide the grooves of the plastic splinter guard onto the ribs on the cover plate, but not far enough to touch the blade (Fig. 10).
- Attach the battery pack.
- Turn the saw on and press the front of the splinter guard against a workbench to allow the sawblade to cut into the splinter guard as it slides the rest of the way into the cover plate (Fig. 11).
- For added service life, as the splinter guard wears out, you can push it farther back into the cover plate until there is no longer any gap (Fig. 12).

### Removal:

- Turn the saw off and remove the battery pack.
- Remove the saw blade and pull the splinter guard out.

Fig. 10

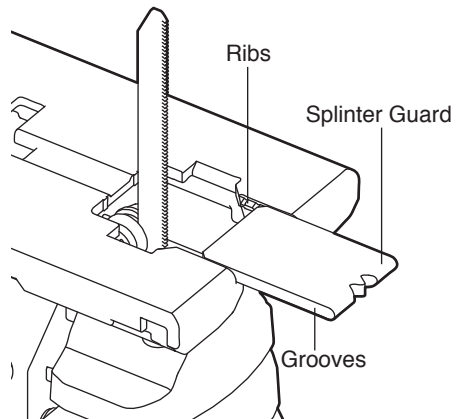


Fig. 11

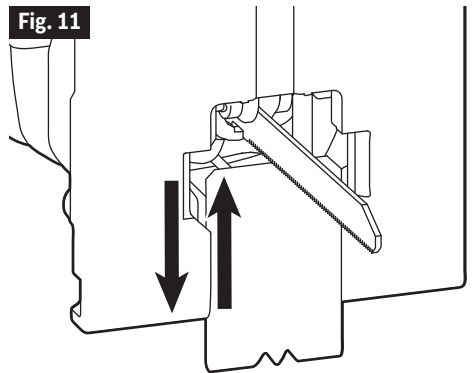
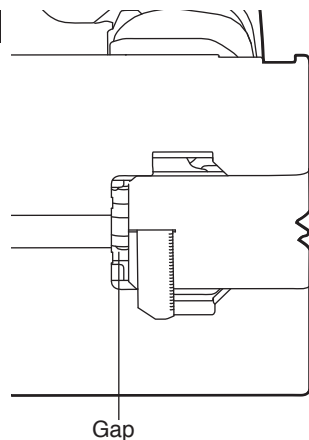


Fig. 12



## CHIP GUARD

### Installation:

Insert the chip guard from the front of the saw, snap the gearbox and the limit post is aligned with the positioning groove of the gearbox. (Fig. 13 & 14).

### Disassembly:

Open the tabs and remove the chip guard forward.

Fig. 13

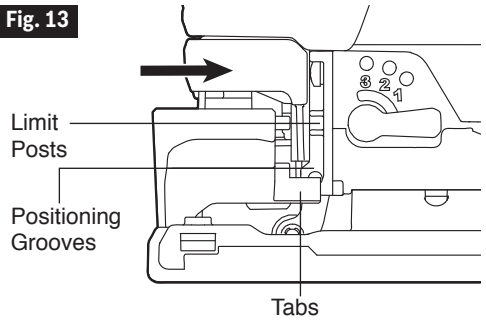
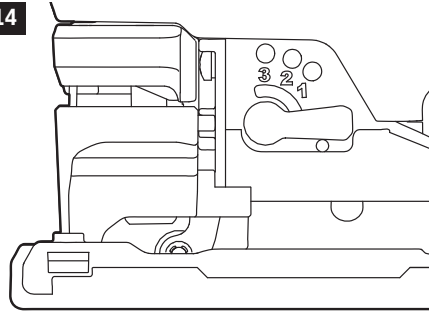


Fig. 14



## DUST COLLECTION PORT

The dust collection port on this jig saw is compatible with  $\varnothing$  32mm vacuum hoses or adapters.

### Installation:

Align the dust collection port as shown and insert the hook of the dust collection port into the slot in the base, push the dust collection port backward and tighten the clamp screw at the front of the dust collection port (Fig. 15).

The dust collection port can be mounted on either right or left side to accommodate cutting at different angles of the base. Make sure that the dust intake opening is facing the blade.

### Disassembly:

Loosen the clamp screw and push the dust collection port slightly forward to remove it directly (Fig. 16).

Fig. 15

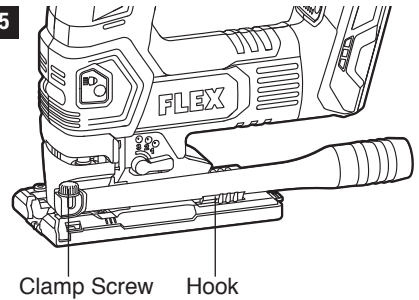
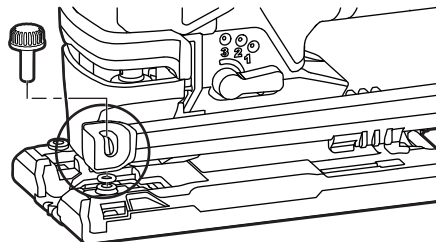


Fig. 16



## ADJUSTMENTS

**⚠ WARNING** Detach the battery pack from the tool before making any assembly, adjustments or changing accessories. Such preventive safety measures reduce the risk of starting the tool accidentally.

### ADJUSTING THE BASE BEVEL ANGLE

The base can be tilted at 0° to 45° (left or right) for bevel setting.

**NOTICE:** Remove the splinter guard if it is inserted into the cover plate.

#### To set the bevel angle:

- Remove the hex wrench from the base (Fig. 17).
- Turn the tool upside down and use the hex wrench to loosen the hex screw by turning it counterclockwise as shown (Fig. 18).
- Push the base slightly backward and tilt it to the desired angle (0° – 45°) using the scale that is marked on the base bracket. Then tighten the hex screw by turning it clockwise (Fig. 19).
- Return the hex wrench into its storage area inside the base of the saw. After adjusting the base, make a sample cut to verify the bevel angle.

Fig. 17

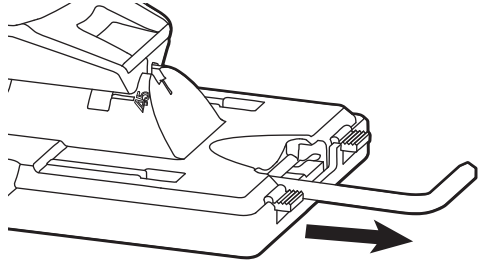


Fig. 18

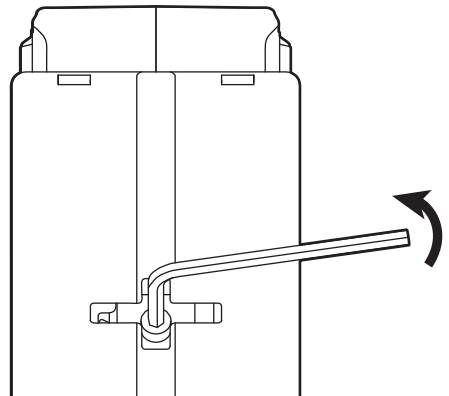
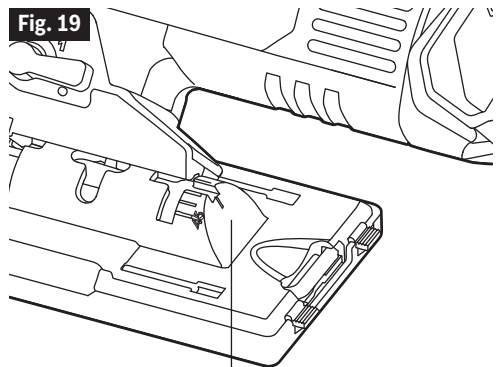


Fig. 19



Base Bracket

## USING THE SPEED PRESETS (FIG. 20)

Your tool is equipped with a speed control panel, located below the handle. It consists of a speed preset button, "A" button, and 5 LED indicators. You can use the buttons to select one of the 5 speed presets based on the material to be cut.

### To select the speed preset:

a. First, check the active speed preset, there are two ways to do so:

- one way is to turn the tool ON and then OFF.
- the other way is to press the speed preset button or the "A" button without touching the trigger switch.

In either case, the LED indicator below the active speed preset will light up.

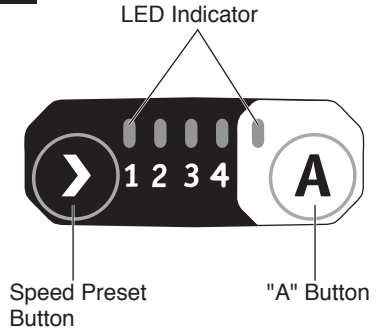
b. Press the speed preset button to cycle through the presets 1, 2, 3, and 4 until the desired preset is activated.

See more details in the table below.

### To select the "A" preset:

Pressing "A" button to activate the "A" preset. The next time the tool is turned on, it will automatically reduce the no-load speed to reduce the vibration. Once the tool engages the workpiece, the speed will reach the highest level. This makes it is easy to position the tool at the beginning of the cut.

**Fig. 20**





**NOTE:** The variable speed trigger switch functions as an on/off switch only in "A" preset.

- c. First, check the active speed preset by following the step a above.
- d. Press the "A" button to select automatic speed preset, after which all of 5 LED indicators will light up. See more details in the table below.

**NOTE:** Your tool is equipped with a memory function of speed setting. It will revert to the last used speed preset when the tool is turned on again.

The table below shows the relationship between speed preset, speed and the number of LED indicators that are lit on the speed control panel. Refer to this table to choose appropriate speed depending on the material to be cut.

LED Indicator Status	Speed Preset	Speed / SPM (Stroke Per Minute)	Recommended material to be cut
<input type="checkbox"/> ON <input type="checkbox"/> OFF			
	1	800	Plastics
	2	1800	Plastics, Wood, Mild Steel, Stainless Steel, Aluminum
	3	2700	Plastics, Wood, Mild Steel, Stainless Steel, Aluminum

LED Indicator Status	Speed Preset	Speed / SPM (Stroke Per Minute)	Recommended material to be cut
<input type="radio"/> ON <input type="radio"/> OFF			
	4	3500	Wood, Mild Steel, Aluminum
	A	1400/3500	Wood, Mild Steel, Aluminum

**NOTE:** Due to the variety of material thickness and types, the cutting efficiency may be different. In general, higher speeds will allow

you to cut workpieces faster but the service life of the blade will diminish.

### ORBITAL-ACTION SETTINGS

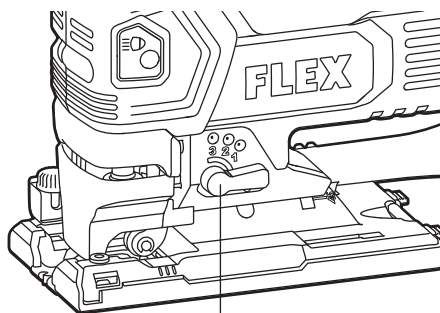
Your tool is equipped with four orbital-action settings to best match the cutting speed, capacity, pattern, and the material being cut.

The orbital action can be adjusted with the orbit-control lever (Fig. 21).

The optimal orbital action setting for the respective application can be determined through test cuts. Refer to the following table:

Lever Position	Cutting action	Applications
0	Straight line cutting action	For cutting mild steel, stainless steel and plastics. For clean cuts in wood and plywood.
1	Low orbital action	For cutting mild steel, aluminum and hard wood.
2	Medium orbital action	For cutting wood and plywood. For fast cutting in aluminum and mild steel.
3	Maximum orbital action	For fast cutting in wood and plywood.

**Fig. 21**



Orbit-Control Lever

**NOTE:** Always make test cuts in scrap material first to determine the best setting.

In order to reach full orbital action, the blade must be facing straight forward, the back of the blade must be resting in the groove of the guide roller, and the base must be positioned all the way forward.

Orbital action is not detectable when the saw is running under no load. The saw must be cutting in order for orbital action to occur.

The effect of the orbital action is more noticeable when cutting thicker material.



# OPERATING INSTRUCTIONS

**⚠ WARNING** Battery tools are always in operating condition. Be careful when the tool is not in use or when carrying it at your side.

## LOCK-ON/OFF BUTTON AND VARIABLE SPEED TRIGGER SWITCH

Your tool is equipped with a Lock-on/off button, located above the variable-speed trigger switch. When placed in three different positions, it performs the following functions:

### Lock-off

When the lock-on/off button located in the middle position, press it all the way to left side, at this moment the variable-speed trigger switch, cannot be activated any more, to help prevent the saw from being turned on unintentionally.

### Switch on and off

To start the saw, place the variable-speed trigger switch in the middle position, then depress the trigger switch.

To stop the saw, release the variable-speed trigger switch.

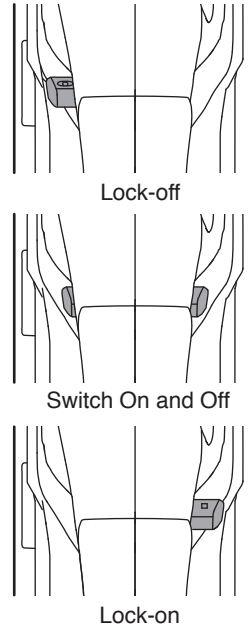
The variable-speed trigger switch delivers higher speed with increased trigger pressure and lower speed with decreased trigger pressure.

**NOTE:** The variable speed trigger switch functions as an on/off switch only in “A” preset.

### Lock-on

With the trigger switch depressed, press the

**Fig. 22**



lock On/Off button all the way to the right side to lock the trigger in the ON position. This is useful for long term cutting operations. To release the lock-on function, depress the variable-speed trigger switch again. The lock-on/off button will automatically return to the middle position.

## LED WORK LIGHT ( FIG. 23)

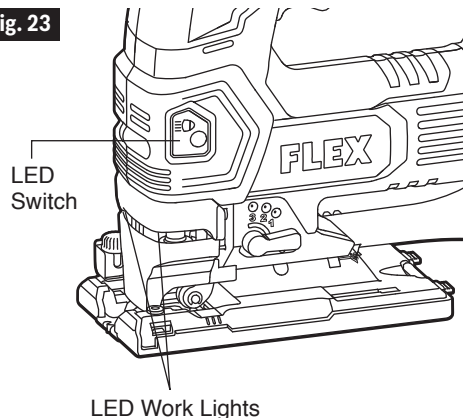
Your tool is equipped with two LED work lights located on the front of the tool. The lights provide additional illumination of the workpiece surface for operation in lower-light areas.

Press the LED switch to turn the lights on. The lights will stay on for about 10 seconds. When you turn the tool ON, the lights will turn on automatically and remain on for as long as the tool is ON. The light will turn off after about 10 seconds of inactivity.

You can deactivate the automatic switching of the lights by pressing the light switch to turn the lights on and then immediately press the light switch again to turn the lights off.

The LED light electronics feature a memory function that remembers the last setting.

**Fig. 23**



**⚠ WARNING** To reduce the risk of fire, personal injury, and product damage due to a short circuit, never immerse your tool, battery pack or charger in fluid or allow a fluid to flow inside them. Corrosive or conductive fluids, such as seawater, certain industrial chemicals, and bleach or bleach-containing products, etc. can cause a short circuit.

**⚠ WARNING** If any parts are damaged or missing, do not operate this product until the parts are replaced. Use of this product with damaged or missing parts could result in serious personal injury.

**This cordless jig saw must be used only with the battery packs and chargers listed below:**

Battery Pack				Charger	
2.5Ah	5Ah	8Ah	12Ah		
FLEX FX0111	FLEX FX0121	FLEX FX0221	FLEX FX0231	FLEX FX0411	FLEX FX0421

**NOTICE:** Please refer to the battery pack and charger manuals for detailed operating information.

### CUTTING TIPS

**⚠ WARNING** Before attaching the battery pack onto the tool, always check to determine that the switch performs properly and returns to the “OFF” position when released.

**⚠ WARNING** Always wear safety goggles or safety glasses with side shields during power tool operation or when blowing dust. If operation is dusty, also wear a dust mask.

**⚠ WARNING** To avoid loss of control and serious injury, make sure that the blade reaches the full desired speed before touching it to the workpiece.

Face the good side of the material down and secure it in a bench vise, or clamp it down. Draw cutting lines or designs on the side of the

**⚠ WARNING** Do not attempt to modify this tool or create accessories not recommended for use with this tool. Any such alteration or modification is misuse and could result in a hazardous condition leading to possible serious injury.

**⚠ WARNING** To prevent accidental starting that could cause serious personal injury, always remove the battery pack from the tool when assembling parts, making adjustments, or cleaning the tool.

material facing towards you. Place the front edge of the saw base on the workpiece and align the blade with the line to be cut. Hold the jig saw firmly, turn it on, and press down to keep the saw base flat against the work as you slowly push the saw into the workpiece in the direction of the cut.

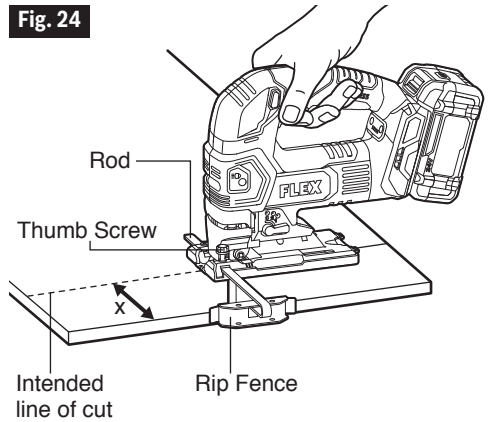
Gradually increase the cutting speed, cutting close to the line (unless you want to leave stock for finish sanding). You may have to adjust or relocate the vise or clamps as you cut to keep the work stable. Do not force the saw, or the blade teeth may rub and wear without cutting and the blade may break. Let the saw do most of the work. When following curves, cut slowly so that the blade can cut across the grain. This will give you an accurate cut and will prevent the blade from wandering.

### CUTTING WITH A RIP FENCE (FIG. 24)

Flex rip fence Model FT221 is not included and should be purchased separately. It allows you to make long cuts parallel to the edge of the workpiece.

- Insert the rod of the rip fence into the slots on the base of the jig saw. The rip fence can be mounted on either right or left side.
- Determine the width of cut "X" and secure the rip fence in this position using the thumb screw included in the rip fence kit.
- Align the rip fence flush against the edge of the workpiece and make the cut. Always use a rough-cut blade when possible.

Fig. 24



### CUTTING WITH A STRAIGHTEDGE

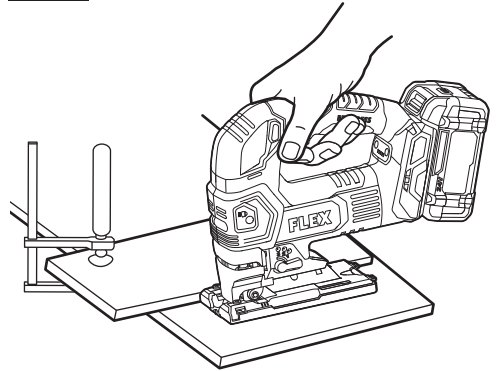
Always use a rough-cut blade when possible. Clamp a straightedge onto the workpiece parallel to the line of cut and flush with the side of the saw base.

Either **a.** first mark the line of cut and then position the straightedge parallel and at the same distance as between the blade and the side edge of the base or

**b.** first mark the side edge of the base and then clamp the straightedge on the mark and parallel to the cut line (Fig. 25).

As you cut, keep the saw-foot edge flush against the straightedge and flat on the workpiece.

Fig. 25



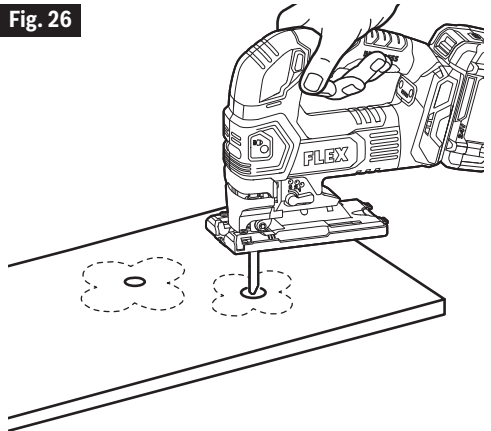
### CUTOUTS

Cutouts can be made with either of two methods A or B.

#### A. Drilling a starting hole (Fig. 26):

For internal cutouts without a lead-in cut from an edge, pre-drill a starting hole 1/2" (12 mm) or larger in diameter. Insert the blade into this hole to start your cut.

Fig. 26



## B. Plunge cutting (Fig. 27):

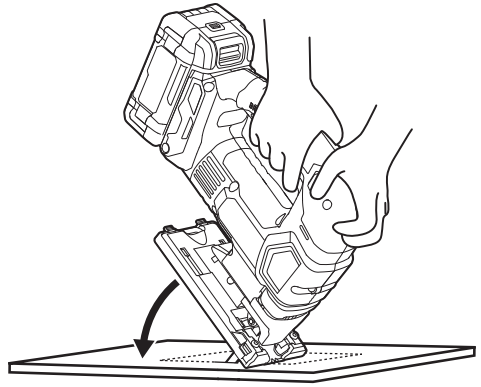
You do not need to drill a starting hole or make a lead-in cut if you carefully perform the following:

- Make sure that the base of the saw is set to straight cut (No bevel angle).
- Tilt the tool up on the front edge of the base with the blade point positioned just above the workpiece surface.
- Apply pressure to the tool so that the front edge of the base will not move when the tool is switched on and slowly lower the rear end of the tool.
- As the blade pierces the workpiece, keep pivoting the tool down until the base rests flat on the workpiece.
- Complete the cut in the normal manner

**NOTICE:** We do not recommend plunge cutting with a scroll blade.

To make sharp corners, cut up to the corner, then stop the saw and back up slightly before rounding the corner. After the opening is complete, go back to each corner and cut it from the opposite direction to square it off.

Fig. 27



**⚠ WARNING** Do not plunge cut into metal surfaces.

## METAL CUTTING

**⚠ WARNING** Never use the wood-cutting blade for cutting metals. Failure to do so could result in serious personal injury.

- Clamp the material when cutting metal.
- Be sure to move the saw along slowly.
- Use lower speeds.
- Do not twist, bend, or force the blade.
- If the saw jumps or bounces, use a blade with finer teeth.
- If the blade seems clogged when cutting soft metal, use a blade with coarser teeth.

- For easier cutting, lubricate the blade with a stick of cutting wax, if available, or with cutting oil when cutting steel.
- Thin metal should be sandwiched between two pieces of wood or tightly clamped onto a single piece of wood (wood on top of the metal). Draw the cut lines or design on the upper piece of wood.
- When cutting aluminum extrusion or angle iron, clamp the work in a bench vise and saw close to the vise jaws.
- When sawing tubing and the diameter is larger than the blade is deep, cut through the wall of the tubing and then insert the blade into the cut, rotating the tube as you saw.

## MAINTENANCE

**⚠ WARNING** To avoid serious personal injury, always remove the battery pack from the tool when cleaning or performing any maintenance.

### SERVICE

**⚠ WARNING** Preventive maintenance performed by unauthorized personnel may result in misplacing of internal wires and components which could cause a serious hazard. We recommend that all tool service be performed by a FLEX Factory Service Center or Authorized FLEX Service Station.

### GENERAL MAINTENANCE

**⚠ WARNING** When servicing, use only identical replacement parts. Use of any other parts could create a hazard or cause product damage. Periodically inspect the entire product for damaged, missing, or loose parts such as screws, nuts, bolts, caps, etc. Tighten securely all fasteners and caps and do not operate this product until all missing or damaged parts are replaced. Please contact

customer service or an authorized service center for assistance.

### CLEANING

**⚠ WARNING** The tool may be cleaned most effectively with compressed dry air. Always wear safety goggles when cleaning tools with compressed air. Ventilation openings and switch levers must be kept clean and free of foreign matter. Do not attempt to clean by inserting pointed objects through openings.

**⚠ WARNING** Certain cleaning agents and solvents damage plastic parts. Some of these are: gasoline, carbon tetrachloride, chlorinated cleaning solvents, ammonia and household detergents that contain ammonia.

### STORAGE

Store the tool indoors in a place that is inaccessible to children. Keep away from corrosive agents.

## ACCESSORIES

**⚠ WARNING** The use of any other accessories not specified in this manual may create a hazard.

Splinter Guard

Chip Guard

Cover Plate

Dust Collection Port

Hex Wrench

## FLEX 5 YEAR LIMITED WARRANTY

Chervon North America, Inc. ("Seller") warrants to the original purchaser only, that all FLEX 24V products will be free from defects in material or workmanship for a period of five years from date of purchase when the original purchaser registers the product within 30 days from the date of original retail purchase and retains their receipt as proof of purchase. THE 5-YEAR LIMITED WARRANTY PERIOD IS CONDITIONED ON REGISTRATION OF THE PRODUCT WITHIN 30 DAYS OF PURCHASE AND ONLY APPLICABLE TO FLEX 24V TOOLS, BATTERIES AND CHARGERS. If the original purchaser does not register their product within 30 days, the foregoing limited warranty will apply for a duration of three years. Product registration can be completed online at [www.registermyflex.com](http://www.registermyflex.com).

**24V Tools:** 5-Year Limited Warranty with Registration

**24V Batteries and Chargers:** 5-Year Limited Warranty with Registration

**Corded, 12V and 20V FLEX Legacy Products:** 1-Year Limited Warranty, No Registration Benefit

**Accessories and Attachments:** No Warranty

SELLER'S SOLE OBLIGATION AND YOUR EXCLUSIVE REMEDY under this 5-Year Limited Warranty and, to the extent permitted by law, any warranty or condition implied by law, shall be the repair or replacement of parts, without charge, which are defective in material or workmanship and which have not been misused, carelessly handled, or repaired by persons other than a FLEX Authorized Service Dealer. This warranty does not cover part failure due to normal wear and tear. To make a claim under warranty, return the complete product, transportation prepaid, to any FLEX Authorized Service Dealer. For Authorized FLEX Service Dealers, please visit [www.registermyflex.com](http://www.registermyflex.com) or call 1-833-FLEX-496 (1-833-353-9496).

This 5-Year Limited Warranty does not apply to accessories, attachments or parts.

Any implied warranties applicable to a product shall be limited in duration equal to the duration of the express warranties applicable to such product, as set forth in the first paragraph above. Some states in the U.S. and some Canadian provinces do not allow limitations on how long an implied warranty lasts, so the above limitation may not apply.

FLEX is not responsible for direct, indirect, incidental or consequential damages. Some U.S. states and Canadian provinces do not allow limitations on how long an implied warranty lasts and/or do not allow the exclusion or limitation of incidental or consequential damages, so the above limitations or exclusions may not apply. This limited warranty gives you specific legal rights, and you may also have other rights which vary by state in the U.S. and by province in Canada.

This limited warranty applies only to products sold within the United States of America, Canada and the commonwealth of Puerto Rico. For warranty coverage within other countries, contact your local FLEX dealer.

© Chervon North America, 1203 E. Warrenville Rd., Naperville, IL 60563

[www.flexpowertools.com](http://www.flexpowertools.com)





[www.registermyflex.com](http://www.registermyflex.com)

1-833-FLEX-496 (1-833-353-9496)

## SYMBOLES RELATIFS À LA SÉCURITÉ

La raison d'être des symboles relatifs à la sécurité est d'attirer votre attention sur des dangers possibles. Il est important de vous familiariser avec les symboles relatifs à la sécurité et les explications qui les accompagnent afin de bien les comprendre. Les avertissements et les symboles associés ne suffisent pas à éliminer tous les dangers. Les instructions et les avertissements qu'ils donnent ne sauraient remplacer des mesures de prévention des accidents appropriées.

**⚠ AVERTISSEMENT** Lisez toutes les consignes de sécurité qui sont contenues dans ce Mode d'emploi, y compris tous les symboles d'alerte relatifs à la sécurité tels que « **DANGER** », « **AVERTISSEMENT** » et « **MISE EN GARDE** », et assurez-vous que vous les comprenez bien avant de commencer à utiliser cet outil. La non-observation de toutes les instructions figurant ci-après pourrait causer un choc électrique, un incendie et/ou des blessures personnelles graves.

Les définitions ci-dessous décrivent le niveau de gravité pour chaque terme signalant un danger. Veuillez lire le mode d'emploi et lire la signification de ces symboles.	
	C'est le symbole d'alerte relatif à la sécurité. Il est utilisé pour vous avertir de l'existence possible d'un danger de lésion corporelle. Obéissez à tous les messages relatifs à la sécurité qui suivent ce symbole pour éviter tout risque de blessure ou même de mort.
	DANGER indique une situation dangereuse qui, si elle n'est pas évitée, causera la mort d'une personne ou une blessure grave.
	AVERTISSEMENT indique une situation dangereuse qui, si elle n'est pas évitée, causera la mort d'une personne ou une blessure grave.
	MISE EN GARDE, conjointement avec le symbole d'alerte en liaison avec la sécurité, indique une situation dangereuse qui, si elle n'est pas évitée, causera une blessure légère ou modérée.

### Messages d'information et de prévention des dommages

Ils informent l'utilisateur d'informations et/ou d'instructions importantes qui pourraient entraîner des dommages matériels ou aux équipements s'ils ne sont pas suivis. Chaque message est précédé par le terme « AVIS », comme dans l'exemple ci-dessous :

**AVIS** : Un dommage matériel et/ou aux équipements peut survenir si ces instructions ne sont pas suivies.



**⚠ AVERTISSEMENT** Pendant leur fonctionnement, les outils électriques peuvent projeter des corps étrangers dans les yeux de leur utilisateur et lui infliger de graves blessures aux yeux. Portez toujours des lunettes de protection ou des lunettes de sécurité à écrans latéraux et un masque couvrant tout le visage lors de l'utilisation de ce produit. Nous recommandons de porter un masque de sécurité à vision latérale large au-dessus des lunettes ordinaires ou des lunettes de sécurité standard avec des écrans de protection sur les côtés. Utilisez toujours un équipement de protection des yeux indiquant qu'il est conforme à la norme ANSI Z87.1.

# AVERTISSEMENTS GÉNÉRAUX RELATIFS À LA SÉCURITÉ POUR LES OUTILS ÉLECTRIQUES

**⚠ AVERTISSEMENT** Lisez tous les avertissements relatifs à la sécurité, les instructions, les illustrations et les spécifications fournies avec cet outil électrique. Le non-respect de toutes les instructions figurant ci-après pourrait causer un choc électrique, un incendie et/ou des blessures graves.

## CONSERVEZ TOUS LES AVERTISSEMENTS ET TOUTES LES INSTRUCTIONS POUR RÉFÉRENCE FUTURE.

Le terme « outil électrique » dans les avertissements fait référence à votre outil électrique à cordon électrique branché dans une prise secteur ou à votre outil électrique à piles (sans fil).

### Sécurité de la zone de travail

**Gardez votre zone de travail propre et bien éclairée.** Des zones encombrées ou sombres sont propices aux accidents.

**N'utilisez pas des outils électriques dans une atmosphère explosive, par exemple en présence de liquides, de gaz ou de poussières inflammables.** Les outils électriques produisent des étincelles qui risquent de mettre feu aux poussières ou aux émanations de fumée.

**Gardez les enfants et autres personnes présentes à une distance suffisante lorsque vous utilisez un outil électrique.** Des distractions risqueraient de vous faire perdre le contrôle.

### Sécurité électrique

**La fiche de l'outil électrique doit correspondre à la prise de courant. Ne modifiez jamais une fiche de quelque façon que ce soit. N'utilisez pas d'adaptateurs de fiches avec des outils électriques mis à la terre/à la masse.** L'emploi de fiches non modifiées et de prises de courant correspondant naturellement aux fiches réduira le risque de choc électrique.

**Évitez tout contact de votre corps avec des surfaces mises à la terre ou à la masse telles que des surfaces de tuyaux, de radiateurs, de cuisinières et de réfrigérateurs.** Il existe un risque accru de choc électrique si votre corps est en contact avec la terre ou la masse.

**N'exposez pas d'outils électriques à la pluie ou à un environnement humide.** La pénétration d'eau dans un outil électrique augmentera le risque de choc électrique.

**N'utilisez pas le cordon de façon abusive. N'utilisez pas le cordon pour porter, tirer ou débrancher l'outil électrique. Tenez le cordon à distance de toute source de chaleur, d'huile, de bords tranchants ou de pièces mobiles.** Des cordons endommagés ou entortillés augmentent le risque de choc électrique.

**Lorsque vous utilisez un outil électrique à l'extérieur, employez un cordon de rallonge approprié pour un emploi à l'extérieur.** L'utilisation d'un cordon approprié pour une utilisation à l'extérieur réduit le risque de choc électrique.

**S'il est inévitable d'utiliser un outil électrique dans un environnement humide, utilisez une alimentation protégée par un disjoncteur de circuit de fuite à la terre.** L'utilisation d'un tel circuit réduit le risque de choc électrique.

### Sécurité personnelle

**Faites preuve de vigilance et de bon sens, et observez attentivement ce que vous faites lorsque vous utilisez un outil électrique. N'utilisez pas un outil électrique si vous êtes fatigué(e) ou sous l'influence de drogues, d'alcool ou de médicaments.** Un simple moment d'inattention pendant que vous utilisez un outil électrique pourrait causer une blessure grave.

**Utilisez des équipements de protection personnelle. Portez toujours des équipements de protection des yeux.** Des équipements de protection tels qu'un masque de protection contre la poussière, des chaussures de sécurité antidérapantes, un casque ou un dispositif de protection de l'ouïe utilisés en fonction des conditions réduiront le nombre des blessures.



**Prévenez une mise en marche accidentelle. Assurez-vous que l'interrupteur est dans la position d'arrêt (OFF) avant de connecter l'appareil à une source d'alimentation et/ou à un bloc-piles, de le soulever ou de le transporter.** Le fait de transporter des outils électriques avec le doigt sur l'interrupteur ou de mettre sous tension des outils électriques avec l'interrupteur en position de marche invite les accidents.

**Retirez toute clé de réglage pouvant être attachée à l'outil avant de mettre l'outil électrique sous tension.** Une clé laissée attachée à une pièce en rotation de l'outil électrique pourrait causer une blessure.

**Ne faites rien qui risquerait de vous faire perdre l'équilibre. Veillez à toujours garder un bon équilibre et un appui stable.** Ceci permet de mieux contrôler l'outil électrique dans des situations inattendues.

**Portez des vêtements appropriés. Ne portez pas de bijoux ou de vêtements amples. Gardez vos cheveux et vos vêtements à une distance suffisante des pièces mobiles.** Les vêtements amples, bijoux ou cheveux longs pourraient être attrapés par des pièces mobiles.

**Si des dispositifs sont fournis pour le raccordement d'accessoires d'extraction et de collecte de la poussière, assurez-vous qu'ils sont connectés et utilisés de façon appropriée.** L'emploi correct de l'accessoire de collecte de la poussière peut réduire les dangers associés à la poussière.

**Ne laissez pas la familiarité résultant de l'utilisation fréquente des outils vous inciter à devenir complaisant(e) et à ignorer les principes de sécurité des outils.** Une action négligente pourrait causer des blessures graves en une fraction de seconde.

### **Utilisation et entretien de l'outil électrique**

**N'imposez pas de contraintes excessives à l'outil électrique. Utilisez l'outil électrique approprié pour votre application.** L'outil électrique correct fera le travail plus efficacement et avec plus de sécurité à la vitesse à laquelle il a été conçu pour fonctionner.

**N'utilisez pas l'outil électrique si l'interrupteur de marche/arrêt ne permet pas de le mettre sous tension/hors tension.** Tout outil électrique qui ne peut pas être contrôlé

par son interrupteur est dangereux et doit être réparé.

**Débranchez la fiche de la prise secteur et/ou retirez le bloc-piles de l'outil électrique (s'il est amovible) avant d'y apporter de quelconques modifications, de changer d'accessoire ou de ranger l'outil électrique.** De telles mesures de sécurité préventives réduisent le risque de déclenchement accidentel de l'outil électrique.

**Rangez les outils électriques qui ne sont pas utilisés activement hors de portée des enfants, et ne laissez aucune personne n'ayant pas lu ces instructions et ne sachant pas comment utiliser un tel outil se servir de cet outil.** Les outils électriques sont dangereux quand ils sont entre les mains d'utilisateurs n'ayant pas reçu la formation nécessaire à leur utilisation.

**Entretenez de façon appropriée les outils électriques et les accessoires. Assurez-vous que les pièces en mouvement sont bien alignées et qu'elles ne se coincent pas, qu'il n'y a pas de pièces cassées ou qu'il n'existe aucune situation pouvant affecter le fonctionnement de l'outil électrique. Si l'outil électrique est endommagé, faites-le réparer avant de vous en servir à nouveau.** De nombreux accidents sont causés par des outils électriques mal entretenus.

**Gardez les outils de coupe tranchants et propres.** Des outils de coupe entretenus de façon adéquate avec des bords de coupe tranchants sont moins susceptibles de se coincer et sont plus faciles à contrôler.

**Utilisez l'outil électrique, les accessoires, les mèches de perçage, etc. conformément à ces instructions, en tenant compte des conditions de travail et de la tâche à accomplir.** L'utilisation de l'outil électrique pour des opérations différentes de celles pour lesquelles il est conçu pourrait causer une situation dangereuse.

**Gardez les poignées et les surfaces de préhension propres, sèches et exemptes de toute trace d'huile ou de graisse.** Les poignées et les surfaces de préhension glissantes ne permettent pas une manipulation et un contrôle sûrs de l'outil dans des situations inattendues.

## **Utilisation et entretien de l'outil électrique à pile**

**Ne rechargez l'outil qu'avec le chargeur indiqué par le fabricant.** Un chargeur qui est approprié pour un type de bloc-piles pourrait créer un risque d'incendie quand il est utilisé avec un autre bloc-piles.

**Utilisez votre outil exclusivement avec des blocs-piles conçus spécifiquement pour celui-ci.** L'emploi de tout autre bloc-piles risquerait de causer des blessures et un incendie.

**Lorsque le bloc-piles n'est pas utilisé, gardez-le à une distance suffisante des autres objets en métal, comme des trombones, pièces de monnaie, clés, clous, vis ou autres petits objets en métal qui pourraient faire une connexion entre une borne et une autre.** Le court-circuitage des bornes d'une pile pourrait causer des brûlures ou un incendie.

**Dans des conditions d'utilisation abusives, du liquide pourrait être éjecté de la pile; évitez tout contact. En cas de contact accidentel, lavez avec de l'eau. En cas de contact de liquide avec les yeux, consultez un professionnel de santé.** Tout liquide éjecté d'une pile peut causer de l'irritation ou des brûlures.

**N'utilisez pas un bloc-piles ou un outil qui est endommagé ou a été modifié.** Des piles endommagées ou modifiées peuvent se comporter de façon imprévisible et causer un incendie, une explosion ou des blessures.

**N'exposez pas un bloc-piles ou un outil à un feu ou à une température excessive.** L'exposition à un feu ou à une température supérieure à 130° C / 265° F pourrait causer une explosion.

**Suivez toutes les instructions relatives à la charge et ne chargez pas le bloc-piles ou l'outil en dehors de la plage de température indiquée dans les instructions.** Une charge dans des conditions appropriées ou à des températures en dehors de la plage spécifiée pourrait endommager la pile et augmenter le risque d'incendie.

### **Service après-vente**

**Faites entretenir votre outil électrique par un réparateur compétent n'utilisant que des pièces de rechange identiques.** Ceci assurera le maintien de la sécurité de l'outil électrique.

**Ne tentez jamais de réparer des blocs-piles endommagés.** La réparation de blocs-piles ne doit être effectuée que par le fabricant ou un prestataire de services agréé.

# AVERTISSEMENTS RELATIFS À LA SÉCURITÉ POUR LA SCIE SAUTEUSE

**Tenez l'outil électrique par ses surfaces de préhension isolées lorsque vous effectuez une opération dans le cadre de laquelle l'accessoire de coupe risque d'entrer en contact avec un fil caché.** L'entrée en contact d'un accessoire de coupe avec un fil sous tension pourrait rendre conductrices des parties en métal exposées de l'outil électrique et causer un choc électrique à l'opérateur.

**Utilisez des brides de fixation ou un autre moyen pratique de sécuriser et de supporter l'ouvrage sur une plateforme stable.** Si vous tenez l'ouvrage à la main ou contre votre corps, ceci le rendra instable et pourrait causer une perte de contrôle.

## **⚠ AVERTISSEMENT**









• Des travaux de ponçage, de sciage, de meulage, de perçage et d'autres travaux de construction réalisés avec un outil électrique peuvent produire des poussières qui, selon l'État de Californie, contiennent des produits chimiques qui sont des causes reconnues de cancer, de malformation congénitale ou d'autres problèmes de la reproduction. Ces produits chimiques sont, par exemple :





- du plomb provenant de peinture au plomb,

- des cristaux de silices provenant des briques et du ciment, et d'autres produits de maçonnerie, et
- l'arsenic et le chrome provenant des bois traités chimiquement.
- Le niveau de risque causé par de telles expositions varie en fonction de la fréquence de ces types de travaux. Pour réduire votre exposition à ces produits chimiques :
  - Travaillez toujours dans un endroit bien ventilé.
  - Portez un équipement de sécurité approprié tel que certains masques conçus spécialement pour filtrer les particules microscopiques.
  - Évitez tout contact prolongé avec la poussière produite par le ponçage, le sciage, le meulage, le perçage et d'autres activités de construction avec des outils électriques. Portez des vêtements de protection et lavez les surfaces de la peau ayant été exposées avec de l'eau et du savon. Si vous laissez de la poussière pénétrer dans votre bouche ou dans vos yeux, ou rester sur votre peau, cela risquerait de promouvoir l'absorption de produits chimiques toxiques.







## SYMBOLES

**IMPORTANT** : Les symboles suivants peuvent figurer sur votre outil. Familiarisez-vous avec eux et apprenez leur signification. En comprenant ces symboles, vous serez en mesure de faire fonctionner cet outil de façon adéquate et sécuritaire.

Symbole	Nom	Forme au long et explication
V	Volts	Tension
A	Ampères	Courant
Hz	Hertz	Fréquence (cycles par seconde)
W	Watt	Puissance
kg	Kilogrammes	Poids
min	Minutes	Durée
s	Secondes	Durée
Wh	Watheures	Capacité de la pile
Ah	Ampères-heures	Capacité de la pile
Ø	Diamètre	Taille des forets, des meules, etc.
$n_0$	Vitesse à vide	Vitesse de rotation à vide
n	Vitesse nominale	Vitesse maximale atteignable
.../min	Nombre de tours ou mouvements de va-et-vient par minute (tr/min)	Tours, coups, vitesse périphérique, orbites, etc., par minute
O	Position d'arrêt	Vitesse nulle, couple nul...
1,2,3,... I,II,III,	Réglages du sélecteur	Réglages de la vitesse, du couple ou de la position. Plus le nombre est élevé, plus la vitesse est grande.
	Sélecteur à réglage continu avec mode d'arrêt	La vitesse augmente à partir du réglage 0
	Flèche	L'activation se fait dans le sens de la flèche
	Courant alternatif (c.a.)	Type de courant ou caractéristique de courant
	Courant continu (c.c.)	Type de courant ou caractéristique de courant
	Courant alternatif ou continu (c.a./c.c.)	Type de courant ou caractéristique de courant
	Outil de classe II	Désigne les outils de construction à double isolation
	Mise à la terre de protection	Borne de mise à la terre
	Label du programme de recyclage des piles au lithium-ion de la RBRC	Désigne le programme de recyclage des piles au lithium-ion

Symbole	Nom	Forme au long et explication
	Lisez les instructions	Invite l'utilisateur à lire le manuel
	Symbole du port de lunettes de sécurité	Alerte l'utilisateur pour lui demander de porter une protection des yeux.
	Utilisez toujours les deux mains	Alerte l'utilisateur pour lui demander de toujours tenir l'outil avec les deux mains
	N'utilisez pas le dispositif de protection pour les opérations de tronçonnage	Alerte l'utilisateur pour lui demander de ne pas utiliser le dispositif de protection pour les opérations de tronçonnage

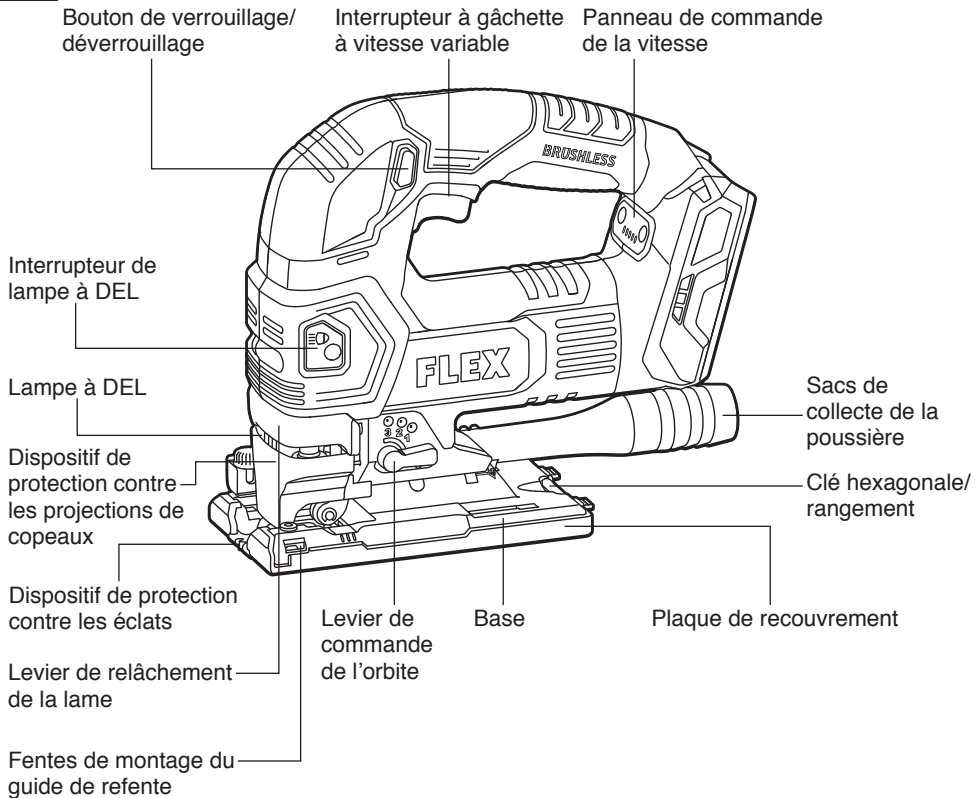
## SYMBOLES (RENSEIGNEMENTS EN MATIÈRE D'HOMOLOGATION)

Symbole	Forme au long et explication
	Ce symbole indique que cet outil est répertorié par Underwriters Laboratories.
	Ce symbole indique que cet outil est reconnu par Underwriters Laboratories.
	Ce symbole indique que cet outil est répertorié par Underwriters Laboratories et qu'il est conforme aux normes américaines et canadiennes.
	Ce symbole indique que cet outil est répertorié par l'Association canadienne de normalisation.
	Ce symbole indique que cet outil est répertorié par l'Association canadienne de normalisation et qu'il est conforme aux normes américaines et canadiennes.
	Ce symbole indique que cet outil est répertorié par Intertek Testing et qu'il est conforme aux normes américaines et canadiennes.

# DESCRIPTIONS ET SPÉCIFICATIONS FONCTIONNELLES

## Scie sauteuse sans fil

Fig. 1



Modèle N°	FX2231	
Tension nominale	24 V c.c.	
Plage de vitesses (coups par minute)	0 – 3500 tr/min	
Vitesses présélectionnées	1, 2, 3, 4, Auto	
Longueur de la course	25mm / 1 po	
Course du pendule	Arrêt plus trois réglages de l'orbite	
Profondeur de coupe maximum (avec la lame appropriée)	Bois	120 mm / 4,72 po
	Aluminium	20 mm / 0,79 po
	Acier	10 mm / 0,39 po
Angle de biseau	0° – 45° des deux côtés	
Température de fonctionnement recommandée	-20 – 40 °C / 4 – 104° F	
Température de stockage recommandée	< 50° C / < 122° F	

## ASSEMBLAGE

**⚠ AVERTISSEMENT** Détachez le bloc-piles de l'outil avant de procéder à son assemblage, à des réglages ou à des changements d'accessoires. De telles mesures de sécurité préventives réduisent le risque de démarrage accidentel de l'outil.

### POUR ATTACHER/DÉTACHER LE BLOC-PILES

**⚠ AVERTISSEMENT** Éteignez toujours l'outil avant d'attacher ou de détacher le bloc-piles.

#### Pour attacher le bloc-piles:

Alignez la nervure surélevée du bloc-piles sur les rainures de l'outil, puis faites glisser le bloc-piles sur l'outil (Fig. 2).

**AVIS:** Lorsque vous placez le bloc-piles sur l'outil, assurez-vous que la nervure surélevée sur le bloc-piles s'aligne sur la rainure à l'intérieur de l'outil et que les loquets de verrouillage se ferment correctement. Une fixation incorrecte du bloc-piles peut endommager des composants internes.

#### Pour détacher le bloc-piles:

Appuyez sur le bouton d'éjection du bloc-piles, qui est situé à l'avant du bloc-piles, pour éjecter le bloc-piles. Tirez sur le bloc-piles pour le faire sortir et retirez-le de l'outil (Fig. 3).

Fig. 2

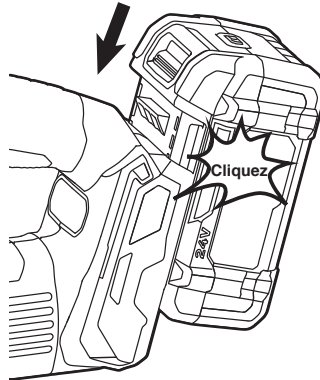
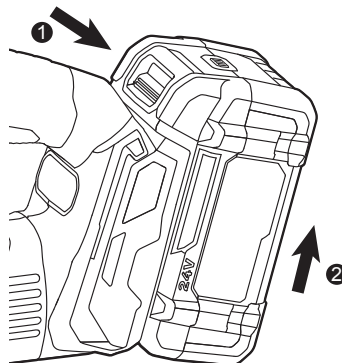


Fig. 3



## INSTALLATION ET RETRAIT DE LA LAME DE LA SCIE

### Pour installer la lame de la scie (FIG. 4) :

- Insérez la lame (avec ses dents orientées face au sens de la coupe) dans la fente du porte-lame aussi loin que la lame pourra aller.
- Tirez sur la lame pour vous assurer que la lame est verrouillée en place de façon sécurisée.

**AVIS:** Lorsque vous insérez la lame de la scie, le dos de la lame doit reposer dans la rainure du rouleau de guidage.

L'outil n'est compatible qu'avec les lames à tige en forme de T les plus courantes.

### Pour retirer la lame de la scie (Fig. 5) :

- Faites tourner le levier de relâchement de la lame et retirez la lame de la scie.
- Relâchez le levier de relâchement de la lame.

**⚠ AVERTISSEMENT** Portez toujours des gants de protection lorsque vous retirez la lame de scie de l'outil. La lame de la scie est très tranchante et peut être très chaude après une utilisation prolongée.

Fig. 4

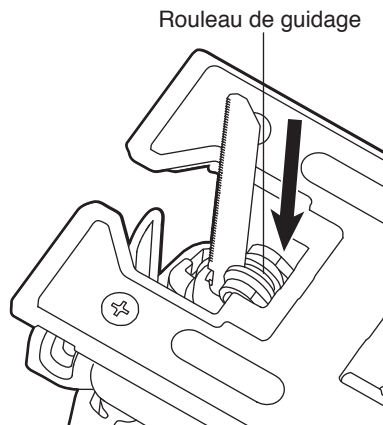
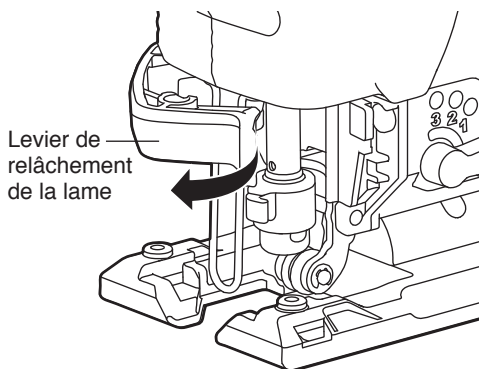


Fig. 5



## INSTALLATION ET RETRAIT DES ACCESSOIRES

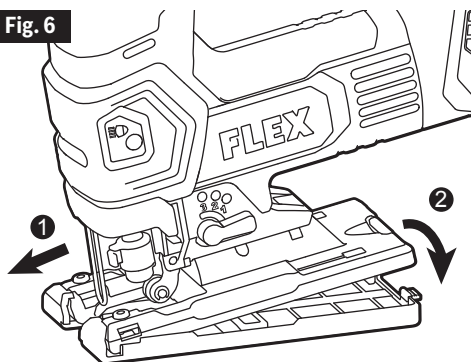
### PLAQUE DE RECOUVREMENT

**AVIS:** Utilisez la plaque de recouvrement lorsque vous coupez des placages décoratifs, des plastiques, etc. Elle protège les surfaces sensibles ou délicates contre les dommages. Elle est montée au fond de la base de l'outil.

#### Installation :

Insérez le devant de la base dans l'avant de la plaque de recouvrement et abaissez la scie sauteuse (Fig. 6).

Fig. 6



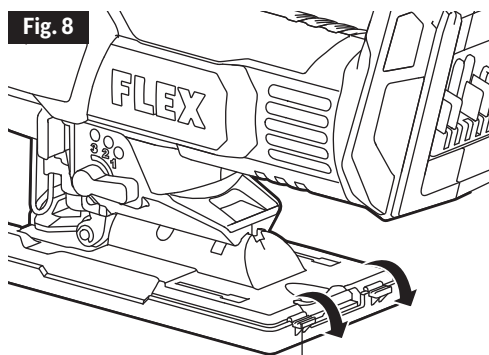
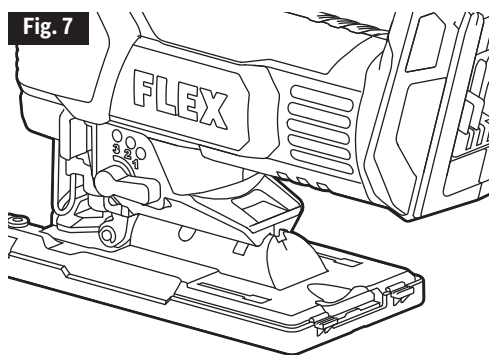


La plaque de recouvrement devrait s'enclencher de façon sécurisée dans l'arrière de la base, et vous entendrez un déclic (Fig. 7).

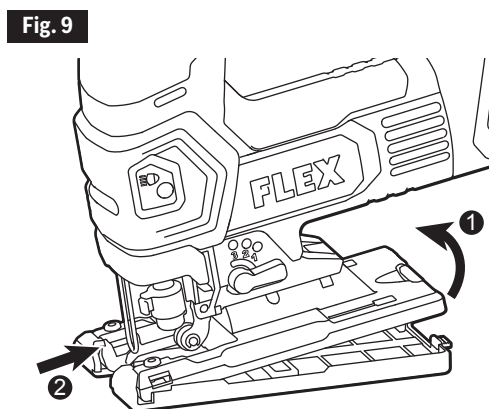
**Retrait:**

Appuyez sur les deux languettes de déverrouillage et faites glisser la plaque de recouvrement d'environ 1,25 cm / 1/2 po vers l'avant.

Soulevez la plaque de recouvrement pour la détacher de la base (Fig. 8 & 9).



Languettes de déverrouillage



## DISPOSITIF DE PROTECTION CONTRE LES ÉCLATS

Le dispositif de protection contre les éclats en plastique transparent sert de gorge à dégagement nul le long de la lame pour réduire les éclats pouvant être produits sur la surface du haut de l'ouvrage. Le dispositif de protection contre les éclats est un composant consommable qui doit être remplacé quand il est usé ou quand des lames d'épaisseurs différentes sont utilisées.

**⚠ AVERTISSEMENT** Cette procédure nécessite que la scie soit sous tension et en marche pendant une partie de la procédure d'installation. Il faut faire attention de ne pas se blesser. Retirez le bloc-piles quand il vous sera demandé de le faire.

### Installation :

- Retirez le bloc-piles pour prévenir tout risque de mise en marche accidentelle.
- Faites tourner le levier de commande de l'orbite pour le mettre dans la position zéro (0).
- Faites glisser les rainures du dispositif de protection contre les éclats en plastique sur les nervures de la plaque de recouvrement, mais pas suffisamment loin pour qu'elles soient en contact avec la lame (Fig. 10).
- Attachez le bloc-piles.
- Mettez la scie sous tension et appuyez le devant du dispositif de protection contre les éclats contre une table de travail pour permettre à la lame de la scie de couper dans le dispositif de protection contre les éclats pendant qu'il continue à glisser jusqu'au bout dans la plaque de recouvrement (Fig. 11).
- Pour prolonger sa durée de fonctionnement, à mesure que le dispositif de protection contre les éclats s'use, vous pouvez le pousser encore plus loin dans la plaque de recouvrement jusqu'à ce qu'il n'y reste plus d'espace (Fig. 12).

### Retrait:

- Mettez la scie hors tension et retirez le bloc-piles.
- Retirez la lame de la scie et tirez sur le dispositif de protection contre les éclats pour le détacher.

Fig. 10

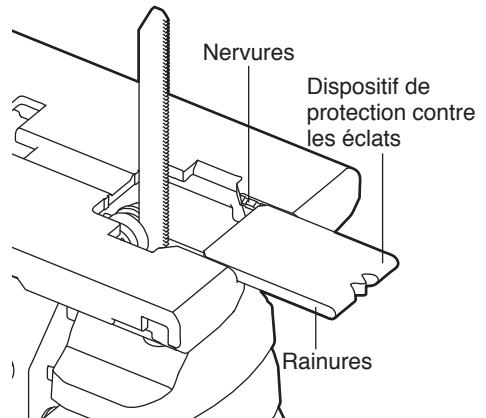


Fig. 11

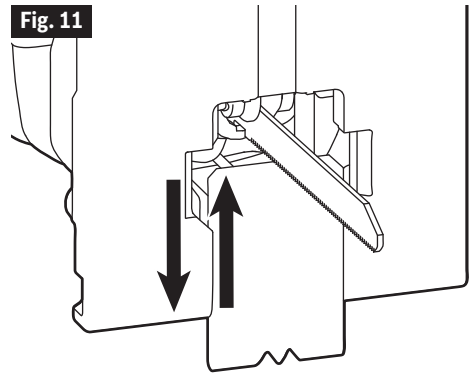
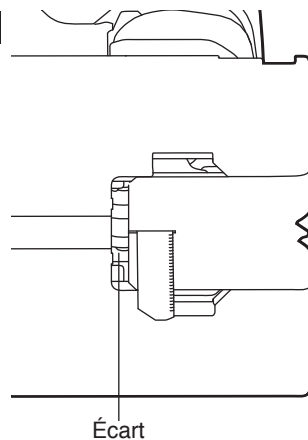


Fig. 12



## DISPOSITIF DE PROTECTION CONTRE LES PROJECTIONS DE COPEAUX

### Installation:

Insérez le dispositif de protection contre les projections de copeaux du devant de la scie, enclenchez la boîte d'engrenages et assurez-vous que le poteau de limite est bien aligné sur la rainure de positionnement de la boîte d'engrenages. (Fig. 13 & 14).

### Démontage:

Ouvrez les languettes et retirez le dispositif de protection contre les projections de copeaux en avant.

Fig. 13

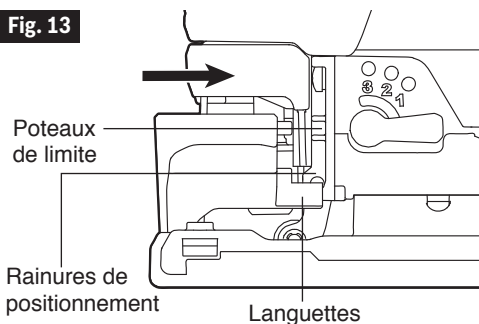
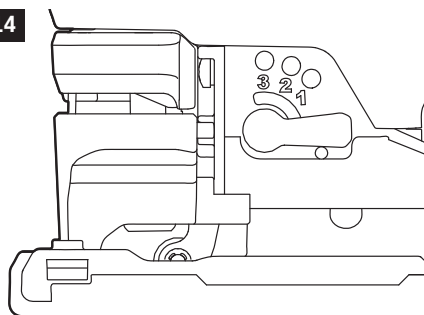


Fig. 14



## ORIFICE DE COLLECTE DE LA POUSSIÈRE

L'orifice de collecte de la poussière sur cette scie sauteuse est compatible avec des tuyaux d'aspiration ou des adaptateurs de 32 mm de diamètre.

### Installation:

Alignez l'orifice de collecte de la poussière comme illustré et insérez le crochet de l'orifice de collecte de la poussière dans la fente de la base, poussez l'orifice de collecte de poussière vers l'arrière et serrez la vis de fixation à l'avant de l'orifice de collecte de la poussière (Fig. 15).

L'orifice de collecte de la poussière peut être monté du côté droit ou du côté gauche en fonction de l'angle de coupe de la base. Assurez-vous que l'ouverture d'admission de poussière est orientée face à la lame.

### Démontage:

Desserrez la vis de fixation et poussez l'orifice de collecte de la poussière légèrement vers l'avant pour le retirer directement (Fig. 16).

Fig. 15

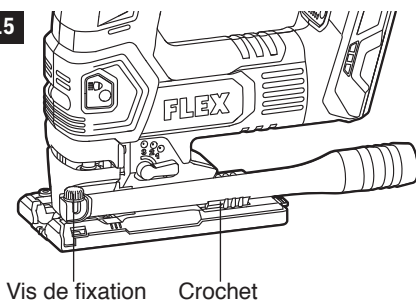
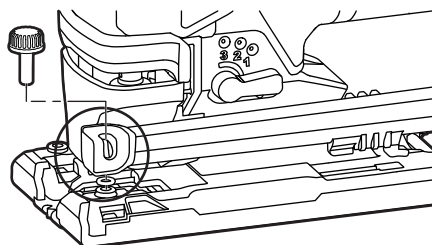


Fig. 16



# RÉGLAGES

**⚠ AVERTISSEMENT** Détachez le bloc-piles de l'outil avant de procéder à son assemblage, à des réglages ou à des changements d'accessoires. De telles mesures de sécurité préventives réduisent le risque de démarrage accidentel de l'outil.

## RÉGLAGE DE L'ANGLE DE BISEAU DE LA BASE

La base peut être inclinée entre  $0^{\circ}$  et  $45^{\circ}$  (vers la gauche ou vers la droite) pour régler la coupe de biseaux.

**AVIS:** Retirez le dispositif de protection contre les éclats s'il est inséré dans la plaque de recouvrement.

### Réglage de l'angle de biseau :

- Retirez la clé hexagonale de la base (Fig. 17).
- Retournez l'outil sens dessus dessous et utilisez la clé hexagonale pour desserrer la vis hexagonale en le tournant dans le sens contraire des aiguilles d'une montre, comme illustré (Fig. 18).
- Poussez la base légèrement vers l'arrière et inclinez-la à l'angle désiré ( $0^{\circ}$  –  $45^{\circ}$ ) en utilisant l'échelle qui est marquée sur le support de la base. Puis serrez la vis hexagonale en le tournant dans le sens des aiguilles d'une montre (Fig. 19).
- Remettez la clé hexagonale à l'endroit prévu pour son rangement dans la base de la scie. Après avoir effectué le réglage de la base, effectuez une coupe d'essai pour vérifier l'angle de biseau.

Fig. 17

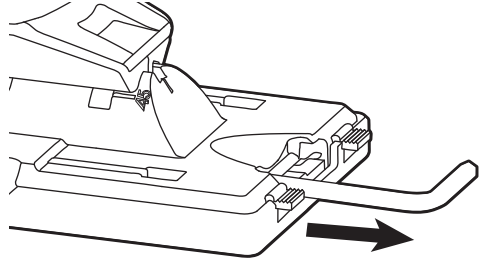


Fig. 18

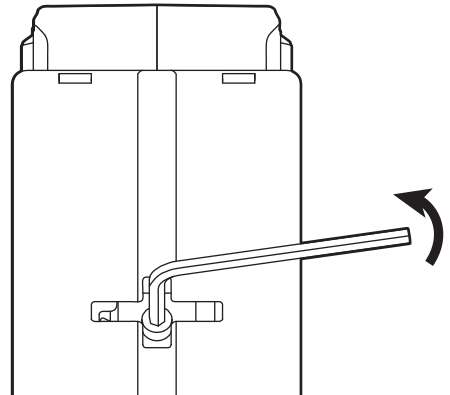
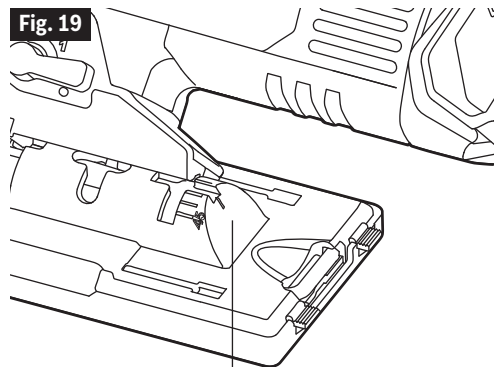


Fig. 19



Support de la base

## UTILISATION DES VITESSES PRÉSÉLECTIONNÉES (FIG. 20)

Votre outil est pourvu d'un panneau de commande de la vitesse situé en dessous de la poignée. Il consiste en un bouton de présélection de la vitesse, le bouton «A» et cinq voyants à DEL. Vous pouvez utiliser les boutons pour sélectionner l'une des cinq vitesses présélectionnées en fonction du matériau à couper.

### Sélection d'une vitesse présélectionnée:

a. Commencez par vérifier la vitesse présélectionnée qui est active à ce moment. Il existe deux façons de le faire:

- une façon consiste à mettre l'outil sous tension, puis hors tension.
- l'autre façon consiste à appuyer sur le bouton de vitesse présélectionnée ou sur le bouton «A» sans toucher à l'interrupteur à gâchette.

Dans tous les cas, le voyant à DEL en dessous de la vitesse présélectionnée alors active s'allumera.

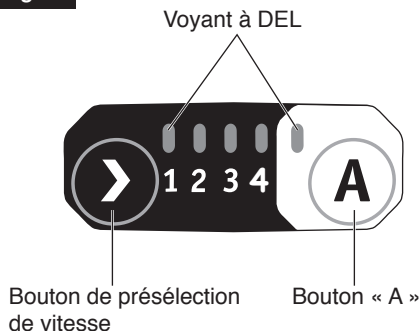
b. Appuyez sur le bouton de vitesse présélectionnée à quatre reprises (vitesses 1, 2, 3 et 4) jusqu'à ce que la vitesse présélectionnée désirée soit activée.

Voir plus de détails dans le tableau ci-dessous.

### Sélection de la vitesse présélectionnée «A» :

L'enfoncement du bouton «A» active la vitesse présélectionnée «A». La prochaine fois que l'outil sera mis sous tension, il réduira automatiquement la vitesse à vide pour réduire les vibrations. Une fois que l'outil sera engagé dans l'ouvrage, la vitesse atteindra le niveau le plus élevé. Ceci facilitera le positionnement de l'outil au début de la coupe.

Fig. 20



**REMARQUE:** L'interrupteur à vitesse variable ne fonctionne comme un interrupteur de marche/arrêt qu'à la vitesse présélectionnée «A».

- c. Vérifiez d'abord la vitesse présélectionnée alors active en suivant l'étape a ci-dessus.
- d. Appuyez sur le bouton «A» pour sélectionner la présélection automatique de la vitesse; tous les cinq voyants à DEL s'allumeront alors. Voir plus de détails dans le tableau ci-dessous.

**REMARQUE:** Votre outil est pourvu d'une fonction de mémorisation de la vitesse sélectionnée. Il retournera à la dernière vitesse présélectionnée qui avait été utilisée lorsque l'outil sera remis en marche.

Le tableau ci-dessous montre la relation entre la vitesse présélectionnée, la vitesse et le nombre de voyants à DEL qui sont allumés sur le panneau de commande de vitesse. Référez-vous à ce tableau pour choisir la vitesse appropriée en fonction du matériau à couper.

État du voyant à DEL	Présélection de vitesse	Vitesse / CPM (coups par minute)	Matériau recommandé pour la coupe
<input type="checkbox"/> MARCHE <input type="checkbox"/> MARCHE ARRÊT			
	1	800	Plastiques
	2	1800	Plastiques, bois, acier doux, acier inoxydable, aluminium
	3	2700	Plastiques, bois, acier doux, acier inoxydable, aluminium

État du voyant à DEL	Présélection de vitesse	Vitesse / CPM (coups par minute)	Matériau recommandé pour la coupe
<input type="radio"/> MARCHE <input type="radio"/> MARCHE ARRÊT			
	4	3500	Bois, acier doux, aluminium
	A	1400/3500	Bois, acier doux, aluminium

**REMARQUE:** En raison de la diversité des épaisseurs et des types de matériaux, l'efficacité de la coupe varie. En général, les

vitesse plus rapides vous permettront de couper des matériaux plus rapidement, mais la durée de vie de la lame sera raccourcie.

## PARAMÈTRES DE RÉGLAGE DE L'ACTION ORBITALE

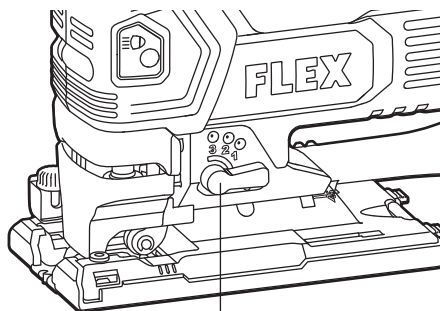
Votre outil comporte quatre réglages pour l'action orbitale afin de lui permettre de correspondre le mieux à la vitesse de coupe, à la capacité, au mode de fonctionnement et au matériau en train d'être coupé.

L'action orbitale peut être ajustée au moyen du levier de commande de l'orbite (Fig. 21).

Le réglage optimal de l'action orbitale pour l'application concernée peut être déterminé par des coupes de test. Référez-vous au tableau suivant:

Position du levier	Action de coupe	Applications
0	Action de coupe en ligne droite	Pour la coupe d'acier doux, d'acier inoxydable et de plastique. Pour des coupes précises dans le bois et le contreplaqué.
1	Action orbitale basse	Pour la coupe d'acier doux, d'aluminium et de bois dur.
2	Action orbitale intermédiaire	Pour la coupe de bois et de contreplaqué. Pour la coupe rapide d'aluminium et d'acier doux.
3	Action orbitale maximum	Pour la coupe rapide de bois et de contreplaqué.

**Fig. 21**



Levier de commande de l'orbite

**REMARQUE:** Effectuez toujours des coupes de test dans des rebuts en premier pour déterminer quel est le meilleur réglage possible.

Afin d'atteindre une action orbitale complète, la lame doit être tournée vers l'avant, l'arrière de la lame doit reposer dans la rainure du rouleau de guidage et la base doit être positionnée complètement vers l'avant.

L'action orbitale n'est pas détectable lorsque la scie fonctionne à vide. La scie doit être en train de couper pour que l'action orbitale se produise.

L'effet de l'action orbitale est plus facile à détecter lors de la coupe de matériaux épais.

# INSTRUCTIONS POUR L'UTILISATION

**⚠ AVERTISSEMENT** Les outils alimentés par des piles sont toujours prêts à fonctionner. Faites attention lorsque l'outil n'est pas utilisé ou lorsque vous le transportez à vos côtés.

## BOUTON DE VERROUILLAGE EN POSITION DE MARCHE/D'ARRÊT ET INTERRUPTEUR À GÂCHETTE À VITESSE VARIABLE

Votre outil est muni d'un bouton de verrouillage en position de marche/d'arrêt qui se trouve au-dessus de l'interrupteur à gâchette à vitesse variable. Quand il est placé dans trois positions différentes, il remplit les fonctions suivantes :

### Verrouillage en position d'arrêt

Lorsque le bouton de verrouillage en position de marche/d'arrêt est situé dans la position intermédiaire, enfoncez-le à fond vers la gauche ; à ce moment l'interrupteur à gâchette à vitesse variable ne pourra plus être activé, ce qui contribuera à empêcher la scie d'être mise en marche accidentellement.

### Mise sous tension / hors tension

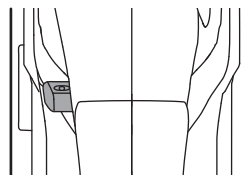
Pour mettre la scie sous tension, placez l'interrupteur à gâchette à vitesse variable dans la position intermédiaire, puis appuyez sur l'interrupteur à gâchette.

Relâchez l'interrupteur à gâchette à vitesse variable pour arrêter la scie.

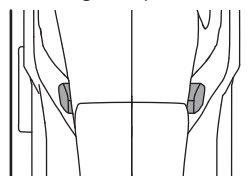
L'interrupteur à gâchette à vitesse variable produit une vitesse supérieure avec une pression accrue sur la gâchette et une vitesse inférieure avec une pression réduite sur la gâchette.

**REMARQUE:** L'interrupteur à gâchette à vitesse variable ne fonctionne comme un interrupteur de marche/arrêt qu'à la vitesse présélectionnée «A».

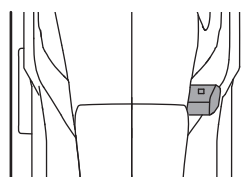
Fig. 22



Verrouillage en position d'arrêt



Mise sous tension / hors tension



Verrouillage en position de marche

### Verrouillage en position de marche

Tout en comprimant la gâchette de l'interrupteur, appuyez sur le bouton de verrouillage en position de marche/arrêt pour l'enfoncer à fond à droite afin de verrouiller la gâchette dans la position de marche. Ceci est utile pour les opérations de coupe de longue durée. Pour relâcher la fonction de verrouillage en position de marche, compressez à nouveau la gâchette de l'interrupteur à vitesse variable. Le bouton de verrouillage en position de marche/arrêt reviendra automatiquement dans la position intermédiaire.

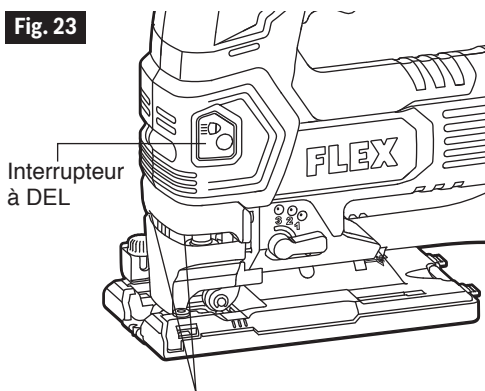
## LAMPE DE TRAVAIL À DEL (FIG. 23)

Votre outil est pourvu de deux lampes à DEL, qui sont situées sur le devant de l'outil. Les lampes fournissent un éclairage supplémentaire sur la surface de l'ouvrage à usiner pour permettre une utilisation dans des zones faiblement éclairées.

Appuyez sur l'interrupteur à DEL pour allumer les lampes. Les lampes resteront allumées pendant une dizaine de secondes. Lorsque vous mettez l'outil sous tension, les lampes s'allumeront automatiquement et resteront allumées tant que l'outil restera sous tension. La lumière s'éteindra au bout d'une dizaine de secondes d'inactivité.

Vous pouvez désactiver la commutation automatique de l'éclairage en appuyant sur l'interrupteur d'éclairage pour allumer les lumières et en appuyant ensuite immédiatement à nouveau sur l'interrupteur pour éteindre les lumières.

Fig. 23



Lampes de travail à DEL

L'électronique d'éclairage à DEL comporte une fonction de mémorisation du dernier paramètre de réglage utilisé.

**⚠ AVERTISSEMENT** Pour réduire le risque d'incendie, de blessures et de dommages au produit dus à un court-circuit, ne plongez jamais votre outil, le bloc-piles ou le chargeur dans un liquide, et ne laissez pas de liquide s'écouler à l'intérieur de ceux-ci. Des liquides corrosifs ou conducteurs tels que l'eau de mer, certains produits chimiques industriels, l'eau de Javel ou des produits contenant de l'eau de Javel, etc. peuvent causer un court-circuit.

**⚠ AVERTISSEMENT** Si certaines pièces sont endommagées ou manquantes, n'utilisez pas ce produit avant que ces pièces aient été remplacées. L'utilisation de ce produit avec

des pièces endommagées ou manquantes pourrait causer des blessures graves.

**⚠ AVERTISSEMENT** Ne tentez pas de modifier cet outil ou de créer des accessoires qu'il n'est pas recommandé d'utiliser avec cet outil. Une telle altération ou modification constituerait une utilisation abusive et pourrait créer une situation dangereuse avec risque de blessures graves.

**⚠ AVERTISSEMENT** Pour empêcher tout démarrage accidentel qui pourrait causer une blessure grave, retirez toujours le bloc-piles de l'outil lorsque vous effectuez le montage de pièces, des réglages ou le nettoyage de l'outil.

Cette scie sauteuse sans fil ne doit être utilisée qu'avec les blocs-piles et les chargeurs indiqués ci-dessous :

Bloc-piles				Chargeur	
2.5Ah	5Ah	8Ah	12Ah		
FLEX FX0111	FLEX FX0121	FLEX FX0221	FLEX FX0231	FLEX FX0411	FLEX FX0421

**AVIS:** Veuillez vous référer aux modes d'emploi du bloc-piles et du chargeur pour plus d'informations sur le fonctionnement.



## CONSEILS POUR COUPER

**⚠ AVERTISSEMENT** Avant d'attacher le bloc-piles à l'outil, vérifiez toujours pour déterminer que l'interrupteur fonctionne correctement et qu'il est bien dans la position d'arrêt (OFF) quand il est relâché.

**⚠ AVERTISSEMENT** Portez toujours des lunettes de sécurité ou de protection avec des écrans latéraux pendant le fonctionnement d'un outil électrique ou lorsque vous soufflez de la poussière. Si la procédure produit de la poussière, portez également un masque de protection contre la poussière.

**⚠ AVERTISSEMENT** Pour ne pas risquer de perdre le contrôle et de vous blesser gravement, assurez-vous que la lame atteint la vitesse désirée avant de la mettre en contact avec l'ouvrage.

Orientez le bon côté du matériau vers le bas et sécurisez-le dans un étau ou d'une autre façon.

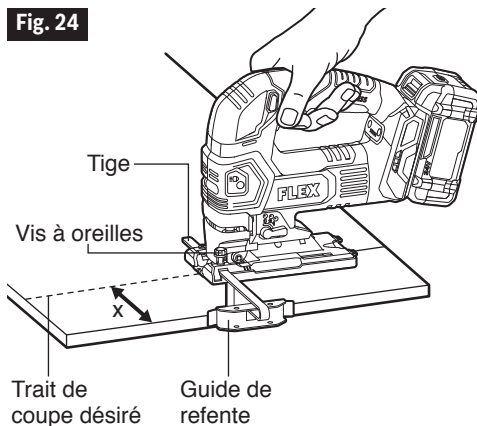
Tracez des traits de coupe ou d'autres formes sur le côté du matériau qui est face à vous. Placez le bord avant de la base de la scie sur l'ouvrage et alignez la lame sur le trait à couper. Tenez fermement la scie sauteuse, mettez-la sous tension et appuyez dessus pour maintenir la base de la scie à plat contre l'ouvrage tout en poussant doucement la scie dans l'ouvrage dans la direction de la coupe.

Augmentez progressivement la vitesse de coupe en coupant près du trait (sauf si vous voulez laisser un peu de matériau pour le ponçage de finition). Vous devrez peut-être ajuster ou déplacer l'étau ou les brides de fixation pendant que vous coupez afin d'assurer la stabilité de l'ouvrage. Ne forcez pas la scie, car les dents de la lame pourraient froter et s'user sans couper, et la lame pourrait se briser. Laissez la scie faire la plus grande partie du travail. Lorsque vous coupez des courbes, coupez lentement pour permettre à la lame de couper transversalement. Ceci produira une coupe précise et empêchera la lame de s'égarer.

## COUPE AVEC UN GUIDE DE REFENTE (FIG. 24)

Le guide de refente Flex Modèle FT221 n'est pas inclus et doit être acheté séparément. Il vous permet de réaliser de longues coupes parallèles au bord de l'ouvrage.

- Insérez la tige du guide de refente dans les fentes sur la base de la scie sauteuse. Le guide de refente peut être monté du côté droit ou du côté gauche.
- Déterminez la largeur de la coupe « X » et sécurisez le guide de refente dans cette position en utilisant la vis à oreilles incluse dans le kit du guide de refente.
- Alignez le guide de refente au ras du bord de l'ouvrage et réalisez la coupe. Utilisez toujours une lame pour coupe grossière dans la mesure du possible.



## COUPE AVEC UNE RÈGLE DROITE

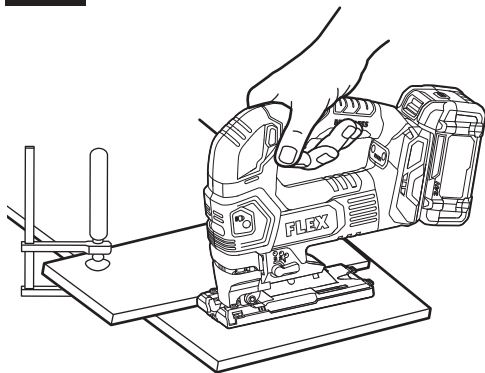
Utilisez toujours une lame pour coupe grossière dans la mesure du possible. Attachez une règle droite à l'ouvrage parallèlement au trait de coupe et au ras du bord de la base de la scie.

Soit **a.** commencez par marquer le trait de coupe, puis positionnez la règle droite de façon parallèle et à la même distance qu'entre la lame et le bord latéral de la base, soit

**b.** commencez par marquer le bord latéral de la base, puis attachez la règle droite sur la marque et dans une position parallèle au trait de coupe (Fig. 25).

Pendant que vous coupez, maintenez le bord du pied de la scie au ras de la règle droite et à plat sur l'ouvrage.

Fig. 25



## ENTAILLES

Des entailles peuvent être effectuées en suivant la méthode A ou la méthode B.

### A. Perçage d'un trou de départ (Fig. 26):

Pour effectuer des entailles internes sans coupe pénétrante initiale depuis un bord, pré-percez un trou de départ d'un diamètre de 12 mm / 1/2 po ou plus. Insérez la lame dans ce trou pour commencer votre coupe.

### B. Coupe en plongée (Fig. 27):

Il n'est pas nécessaire de percer un trou de départ ou de faire une coupe pénétrante initiale si vous faites bien ce qui suit :

- Assurez-vous que la base de la scie est réglée pour une coupe droite (Pas d'angle de biseau).
- Inclinez l'outil vers le haut sur le bord avant de la base, de telle façon que la pointe de la lame soit positionnée juste au-dessus de la surface de l'ouvrage.
- Faites pression sur l'outil pour que le bord avant de la base ne bouge pas lorsque l'outil est mis sous tension, et abaissez lentement l'extrémité arrière de l'outil.
- Pendant que la lame perce l'ouvrage, continuez à faire pivoter l'outil vers le bas jusqu'à ce que la base repose à plat sur l'ouvrage.
- Achievez la coupe de la manière normale.

Fig. 26

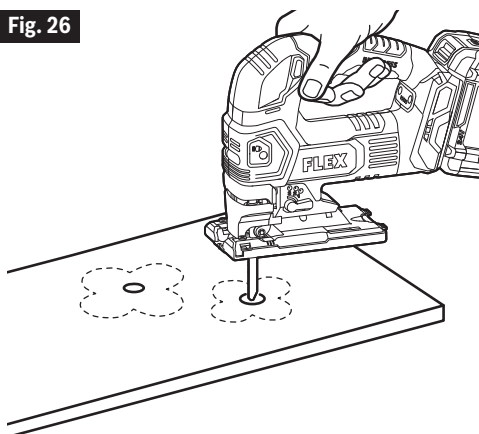
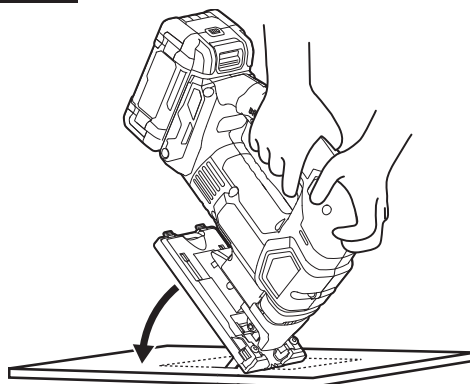


Fig. 27



**AVIS:** Nous ne recommandons pas de couper avec une lame de scie à contourner.

Pour produire des coins pointus, coupez jusqu'au coin, puis arrêtez la scie et reculez légèrement avant d'arrondir le coin. Après que l'ouverture est complète, retournez sur chaque

coin et coupez-le depuis le sens opposé pour l'égaliser.

**⚠ AVERTISSEMENT** Ne réalisez pas de coupe en plongée dans des surfaces en métal.

## COUPE DANS LE MÉTAL

**⚠ AVERTISSEMENT** N'utilisez jamais la lame de

**coupe du bois pour couper des métaux. Si vous ne respectez pas cette consigne, vous risqueriez de causer des blessures graves.**

- Sécurisez l'ouvrage en place quand vous coupez du métal.
- Assurez-vous de faire avancer la scie lentement.
- Utilisez des vitesses plus faibles.
- IL ne faut pas tordre, courber ou forcer la lame.
- Si la scie saute ou rebondit, utilisez une lame avec des dents plus fines.
- Si la lame semble coincée lorsque vous coupez du métal doux, utilisez une lame avec des dents plus robustes.

- Pour couper plus facilement, lubrifiez la lame avec un bâtonnet de cire de coupe, si vous disposez d'un tel produit, ou avec de l'huile de coupe lorsque vous coupez du métal.
- Le métal fin doit être placé entre deux morceaux de bois ou être solidement sécurisé sur un seul morceau de bois (bois au-dessus du métal). Tracez les traits de coupe ou les formes à découper sur la partie supérieure du bois.
- Lorsque vous coupez une extrusion en aluminium ou une cornière, sécurisez l'ouvrage dans un étau e sciez très près des mâchoires de l'étau.
- Lorsque vous sciez un tube dont le diamètre est supérieur à la profondeur de la lame, effectuez une coupe traversante à travers la paroi du tube, puis insérez la lame dans la coupe en faisant tourner le tube pendant que vous sciez.

## MAINTENANCE

**⚠ AVERTISSEMENT** Pour éviter des blessures graves, retirez toujours le bloc-piles de l'outil lorsque vous le nettoyez ou quand vous effectuez des travaux de maintenance.

### SERVICE APRÈS-VENTE

**⚠ AVERTISSEMENT** Une maintenance préventive effectuée par une personne non autorisée pourrait entraîner un placement incorrect de fils et composants internes, ce qui pourrait être très dangereux. Nous recommandons que toutes les opérations de maintenance de cet outil soient effectuées par un centre de service après-vente usine FLEX ou par un poste de service agréé par FLEX.

### MAINTENANCE GÉNÉRALE

**⚠ AVERTISSEMENT** Lors de toute réparation, n'utilisez que des pièces de rechange identiques. L'utilisation de toutes autres pièces de rechange pourrait créer un danger ou endommager le produit. Inspectez périodiquement l'intégralité du produit pour vous assurer qu'il n'y a pas de pièces endommagées, manquantes ou desserrées comme des vis, des écrous, des boulons, des capuchons, etc. Serrez à fond tous les dispositifs de fixation et capuchons, et ne vous servez pas de ce produit

avant que toutes les pièces manquantes ou endommagées aient été remplacées. Veuillez contacter le service à la clientèle ou un centre de service après-vente agréé pour obtenir de l'assistance.

### NETTOYAGE

**⚠ AVERTISSEMENT** La façon la plus efficace de nettoyer l'outil est en utilisant un jet d'air comprimé sec. Portez toujours des lunettes de sécurité lorsque vous nettoyez des outils avec de l'air comprimé. Les ouvertures de ventilation et les leviers de l'interrupteur doivent être gardés propres et ne doivent être obstrués par aucun corps étranger. Ne tentez pas de les nettoyer en insérant des objets pointus à travers les ouvertures.

**⚠ AVERTISSEMENT** Certains agents de nettoyage et solvants peuvent endommager les pièces en plastique. Citons notamment : l'essence, le tétrachlorure de carbone, les solvants de nettoyage chlorés, l'ammoniac et les détergents ménagers contenant de l'ammoniac.

### STOCKAGE

Rangez l'outil à l'intérieur, à un endroit qui est hors de portée des enfants. Conservez-le à distance des agents corrosifs.

## ACCESSOIRES

**⚠ AVERTISSEMENT** L'utilisation de tous autres accessoires non spécifiés dans ce mode d'emploi pourrait être dangereuse.

Dispositif de protection contre les éclats

Dispositif de protection contre les projections de copeaux

Plaque de recouvrement

Orifice de collecte de la poussière

Clé hexagonale

## GARANTIE LIMITE DE CINQ ANS

Chervon North America, Inc. (« Vendeur ») garantit uniquement à l'acheteur d'origine que tous les produits FLEX de 24 V seront exempts de tout défaut de matériel ou de fabrication pendant une période de cinq ans à compter de la date d'achat lorsque l'acheteur d'origine enregistre le produit dans les 30 jours suivant la date d'achat au détail et conserve son reçu comme preuve de l'achat. LA PÉRIODE DE GARANTIE LIMITÉE DE CINQ ANS EST CONDITIONNÉE PAR L'ENREGISTREMENT DU PRODUIT DANS LES 30 JOURS SUIVANT L'ACHAT ET NE S'APPLIQUE QU'AUX OUTILS, PILES ET CHARGEURS FLEX DE 24 V. Si l'acheteur d'origine n'enregistre pas son produit dans les 30 jours, la garantie limitée susmentionnée s'applique pour une durée de trois ans. L'enregistrement du produit peut être effectué en ligne à l'adresse suivante : [www.registermyflex.com](http://www.registermyflex.com).

**Outils de 24 V :** Garantie limitée de cinq ans avec l'enregistrement

**Piles et chargeurs de 24 V :** Garantie limitée de cinq ans avec l'enregistrement

**Produits filaires FLEX de la génération précédente de 12 V et de 20 V :** Garantie limitée d'un an; pas de bénéfices résultant de l'enregistrement

**Accessoires et attachements :** Pas de garantie

LA SEULE OBLIGATION DU VENDEUR ET VOTRE SEUL RECOURS dans le cadre de cette garantie limitée de cinq ans et, dans la mesure permise par la loi, toute garantie ou condition impliquée par la loi, sera la réparation ou le remplacement des pièces, sans frais, qui sont défectueuses en termes de matériel ou de fabrication et qui n'ont pas été utilisées de façon inappropriée, manipulées avec négligence ou réparées par des personnes autres qu'un concessionnaire réparateur autorisé de FLEX. Cette garantie ne couvre pas les défaillances des pièces dues à une usure normale. Pour faire une réclamation au titre de la garantie, renvoyez le produit complet, transport payé, à un concessionnaire réparateur autorisé de FLEX. Pour identifier des concessionnaires réparateurs autorisés de FLEX, veuillez vous rendre sur le site [www.registermyflex.com](http://www.registermyflex.com) ou téléphonez au 1-833-FLEX-496 (1-833-353-9496).

La présente garantie limitée de cinq ans ne s'applique pas aux accessoires, attachements ou pièces.

Toute garantie implicite applicable à un produit est limitée dans le temps à une durée égale à la durée des garanties expresses applicables à ce produit, comme indiqué au premier paragraphe ci-dessus. Étant donné que certains États des États-Unis et certaines provinces canadiennes n'autorisent pas la limitation de la durée d'une garantie implicite, la limitation ci-dessus peut ne pas s'appliquer.

FLEX n'est pas responsable des dommages directs, indirects, accidentels ou consécutifs. Étant donné que certains États des États-Unis et certaines provinces canadiennes n'autorisent pas la limitation de la durée d'une garantie implicite et/ou l'exclusion ou la limitation des dommages accessoires ou indirects, les limitations ou exclusions ci-dessus peuvent ne pas s'appliquer. Cette garantie limitée vous donne des droits légaux spécifiques, et vous pouvez également avoir d'autres droits qui varient selon les États des États-Unis et les provinces du Canada.

Cette garantie limitée s'applique uniquement aux produits vendus aux États-Unis d'Amérique, au Canada et dans le Commonwealth de Porto Rico. Pour connaître la couverture de la garantie dans les autres pays, contactez votre revendeur FLEX local.

© Chervon North America, 1203 E. Warrenville Rd., Naperville, IL 60563

[www.flexpowertools.com](http://www.flexpowertools.com)

[www.registermyflex.com](http://www.registermyflex.com)





1-833-FLEX-496 (1-833-353-9496)

## SÍMBOLOS DE SEGURIDAD

La finalidad de los símbolos de seguridad es atraer la atención del usuario hacia posibles peligros. Los símbolos de seguridad y las explicaciones que los acompañan merecen que usted preste una atención detenida y logre una comprensión profunda. Las advertencias con símbolo no eliminan por sí mismas ningún peligro. Las instrucciones y las advertencias que dichas instrucciones dan no son sustitutos de las medidas adecuadas de prevención de accidentes.

**⚠ ADVERTENCIA** Asegúrese de leer y entender todas las instrucciones de seguridad incluidas en este manual del operador, incluyendo todos los símbolos de alerta de seguridad, tales como “**PELIGRO**”, “**ADVERTENCIA**” y “**PRECAUCIÓN**”, antes de utilizar esta herramienta. Si no se siguen todas las instrucciones que se indican a continuación, es posible que el resultado sea descargas eléctricas, incendio y/o lesiones corporales graves.

Las definiciones que aparecen a continuación describen el nivel de gravedad de cada palabra de aviso. Por favor, lea el manual y preste atención a estos símbolos.

	<p>Este es el símbolo de alerta de seguridad. Se utiliza para alertarle a usted de posibles peligros de lesiones corporales. Obedezca todos los mensajes de seguridad que sigan a este símbolo para evitar posibles lesiones o muerte.</p>
	<p>PELIGRO indica una situación peligrosa que, si no se evita, causará la muerte o lesiones graves.</p>
	<p>ADVERTENCIA indica una situación peligrosa que, si no se evita, podría causar la muerte o lesiones graves.</p>
	<p>PRECAUCIÓN, cuando se utiliza con el símbolo de alerta de seguridad, indica una situación peligrosa que, si no se evita, causará lesiones leves o moderadas.</p>

### Mensajes de prevención e información de daños

Estos mensajes ofrecen al usuario información e/o instrucciones importantes que hay que seguir para no causar daños al equipo u otros daños materiales. Cada mensaje va precedido por la palabra “**AVISO**”, como en el ejemplo que aparece a continuación:

**AVISO:** Es posible que ocurran daños al equipo y/o daños materiales si no se siguen estas instrucciones.



**⚠ ADVERTENCIA** La utilización de cualquier herramienta eléctrica puede hacer que se lancen objetos extraños hacia los ojos del operador, lo cual puede causar daños oculares graves. Antes de comenzar a utilizar una herramienta eléctrica, póngase siempre anteojos de seguridad o gafas de seguridad con escudos laterales y una careta completa cuando sea necesario. Recomendamos una máscara de seguridad de visión amplia para utilizarla sobre gafas o anteojos de seguridad estándar con escudos laterales. Utilice siempre protección ocular que esté marcada para cumplir con la norma ANSI Z87.1.

# ADVERTENCIAS GENERALES DE SEGURIDAD PARA LA HERRAMIENTA ELÉCTRICA

**⚠ ADVERTENCIA** Lea todas las advertencias de seguridad, instrucciones, ilustraciones y especificaciones suministradas con esta herramienta eléctrica. Si no se siguen todas las instrucciones que se indican a continuación, es posible que el resultado sea descargas eléctricas, incendio y/o lesiones graves.

## GUARDE TODAS LAS ADVERTENCIAS E INSTRUCCIONES PARA REFERENCIA FUTURA.

La expresión “herramienta eléctrica” que se incluye en las advertencias se refiere a su herramienta eléctrica alimentada por la red eléctrica (alámbrica) o su herramienta eléctrica alimentada por baterías (inalámbrica).

### Seguridad en el área de trabajo

**Mantenga el área de trabajo limpia y bien iluminada.** Las áreas desordenadas u oscuras invitan a que se produzcan accidentes.

**No utilice herramientas eléctricas en atmósferas explosivas, tales como las existentes en presencia de líquidos, gases o polvos inflamables.** Las herramientas eléctricas generan chispas, las cuales pueden incendiar los polvos o los vapores.

**Mantenga alejados a los niños y a los curiosos mientras esté utilizando una herramienta eléctrica.** Las distracciones pueden hacerle perder el control de la herramienta.

### Seguridad eléctrica

**Los enchufes de las herramientas eléctricas deben coincidir con el tomacorriente. No modifique nunca el enchufe de ninguna manera. No utilice enchufes adaptadores con herramientas eléctricas conectadas a tierra (puestas a masa).** Los enchufes sin modificar y los tomacorrientes coincidentes reducirán el riesgo de descargas eléctricas.

**Evite el contacto del cuerpo con las superficies conectadas a tierra o puestas a masa, tales como tuberías, radiadores, estufas de cocina y refrigeradores.** Hay mayor riesgo de que se produzcan descargas eléctricas si su cuerpo está conectado a tierra.

**No exponga las herramientas eléctricas a la lluvia ni a condiciones mojadas.** La entrada de agua en una herramienta eléctrica aumentará el riesgo de descargas eléctricas.

**No maltrate el cable. No use nunca el cable para transportar, jalar o desenchufar la herramienta eléctrica. Mantenga el cable**

**alejado del calor, el aceite, los bordes afilados o las piezas móviles.** Los cables dañados o enredados aumentan el riesgo de que se produzcan descargas eléctricas.

**Cuando utilice una herramienta eléctrica a la intemperie, use un cable de extensión adecuado para uso a la intemperie.** La utilización de un cable adecuado para uso a la intemperie reduce el riesgo de descargas eléctricas.

**Si es inevitable utilizar una herramienta eléctrica en un lugar húmedo, utilice una fuente de alimentación protegida por un interruptor de circuito accionado por corriente de pérdida a tierra (GFCI, por sus siglas en inglés).** El uso de un GFCI reduce el riesgo de descargas eléctricas.

### Seguridad personal

**Manténgase alerta, fíjese en lo que está haciendo y use el sentido común cuando utilice una herramienta eléctrica. No utilice una herramienta eléctrica mientras esté cansado o bajo la influencia de drogas, alcohol o medicamentos.** Es posible que un momento de descuido mientras se estén utilizando herramientas eléctricas cause lesiones corporales graves.

**Utilice equipo de protección personal. Use siempre protección ocular.** Los equipos protectores, tales como una máscara antipolvo, calzado de seguridad antideslizante, casco o protección de la audición, utilizados según lo requieran las condiciones, reducirán las lesiones corporales.

**Evite los arranques accidentales. Asegúrese de que el interruptor esté en la posición de apagado antes de conectar la herramienta a una fuente de alimentación y/o a un paquete de batería, levantar la herramienta o transportarla.** Si se transportan herramientas eléctricas con el dedo en el interruptor o si se suministra corriente a herramientas que tengan el interruptor en la posición de encendido se invita a que se produzcan accidentes.

**Retire todas las llaves de ajuste o de tuerca antes de encender la herramienta eléctrica.**

Es posible que una llave de tuerca o de ajuste que esté sujeta a una pieza rotativa de la herramienta cause lesiones corporales.

**No intente alcanzar demasiado lejos.**

**Mantenga un apoyo de los pies y un equilibrio adecuados en todo momento.** Esto permitirá un mejor control de la herramienta eléctrica en situaciones inesperadas.

**Vístase adecuadamente. No se ponga ropa holgada ni joyas. Mantenga el pelo y la ropa alejados de las piezas móviles.** La ropa holgada, las joyas o el pelo largo pueden quedar atrapados en las piezas móviles.

**Si se proporcionan dispositivos para la conexión de instalaciones de extracción y recolección de polvo, asegúrese de que dichas instalaciones se conecten y utilicen correctamente.** El uso de recolección de polvo puede reducir los peligros relacionados con el polvo.

**No deje que la familiaridad obtenida con el uso frecuente de las herramientas le haga volverse complaciente e ignorar los principios de seguridad de las herramientas.** Una acción descuidada puede causar lesiones graves en una fracción de segundo.

### **Uso y cuidado de la herramienta eléctrica**

**No fuerce la herramienta eléctrica. Utilice la herramienta eléctrica correcta para la aplicación que vaya a realizar.** La herramienta correcta hará el trabajo mejor y con más seguridad a la capacidad nominal para la que fue diseñada.

**No utilice la herramienta eléctrica si el interruptor no la enciende o apaga.** Cualquier herramienta eléctrica que no se pueda controlar con el interruptor es peligrosa y debe ser reparada.

**Desconecte el enchufe de la fuente de alimentación y/o retire el paquete de batería de la herramienta eléctrica, si es retirable, antes de hacer cualquier ajuste, cambiar accesorios o almacenar herramientas eléctricas.** Dichas medidas preventivas de seguridad reducen el riesgo de arrancar accidentalmente la herramienta eléctrica.

**Guarde las herramientas eléctricas que no esté usando fuera del alcance de los niños y no deje que las personas que no estén familiarizadas con la herramienta eléctrica o estas instrucciones utilicen la herramienta eléctrica.** Las herramientas eléctricas son peligrosas en las manos de los usuarios no capacitados.

**Realice mantenimiento de las herramientas eléctricas y los accesorios. Compruebe si hay desalineación o atoramiento de las piezas móviles, rotura de piezas y cualquier otra situación que pueda afectar al funcionamiento de la herramienta eléctrica. Si la herramienta está dañada, haga que la reparen antes de utilizarla.** Muchos accidentes son causados por herramientas eléctricas mantenidas deficientemente.

**Mantenga las herramientas de corte afiladas y limpias.** Las herramientas de corte mantenidas adecuadamente, con bordes de corte afilados, tienen menos probabilidades de atorarse y son más fáciles de controlar.

**Utilice la herramienta eléctrica, los accesorios y las brocas de la herramienta, etc., de acuerdo con estas instrucciones, teniendo en cuenta las condiciones de trabajo y el trabajo que se vaya a realizar.** El uso de la herramienta eléctrica para operaciones distintas a las previstas podría causar situaciones inesperadas.

**Mantenga los mangos y las superficies de agarre secos, limpios y libres de aceite y grasa.** Los mangos resbalosos y las superficies de agarre resbalosas no permiten un manejo y un control seguros de la herramienta situaciones inesperadas.

### **Uso y cuidado de las baterías**

**Recargue las baterías solo con el cargador especificado por el fabricante.** Es posible que un cargador que sea adecuado para un tipo de paquete de batería cree un riesgo de incendio cuando se utilice con otro paquete de batería.



**Utilice las herramientas eléctricas solo con paquetes de batería designados específicamente.** Es posible que el uso de cualquier otro paquete de batería cree un riesgo de lesiones e incendio.

**Cuando el paquete de batería no se esté utilizando, manténgalo alejado de otros objetos metálicos, tales como clips sujetapapeles, monedas, llaves, clavos, tornillos u otros objetos metálicos pequeños, que puedan hacer una conexión de un terminal al otro.** Si se cortocircuitan juntos los terminales de la batería es posible que se causen quemaduras o un incendio.

**En condiciones abusivas es posible que se expulse líquido de la batería; evite el contacto. Si se produce contacto accidentalmente, enjuáguese con agua. Si el líquido entra en contacto con los ojos, obtenga además ayuda médica.** Es posible que el líquido expulsado de la batería cause irritación o quemaduras.

**No utilice un paquete de batería o una herramienta que esté dañada o modificada.** Es posible que las baterías dañadas o modificadas exhiban un comportamiento imprevisible que cause incendio, explosión o riesgo de lesiones.

**No exponga un paquete de batería o una herramienta a un fuego o a una temperatura excesiva.** Es posible que la exposición a un fuego o a una temperatura superior a 265 °F cause una explosión.

**Siga todas las instrucciones de carga y no cargue el paquete de batería ni la herramienta fuera del intervalo de temperatura especificado en las instrucciones.** Es posible que la realización de la carga de manera inadecuada o a temperaturas que estén fuera del intervalo especificado dañe la batería y aumente el riesgo de incendio.

### **Servicio de ajustes y reparaciones**

**Haga que su herramienta eléctrica reciba servicio de ajustes y reparaciones por un técnico de reparaciones calificado que utilice únicamente piezas de repuesto idénticas.** Esto garantizará que se mantenga la seguridad de la herramienta eléctrica.

**No haga nunca servicio de ajustes y reparaciones de paquetes de batería dañados.** El servicio de ajustes y reparaciones de paquetes de batería deberá ser realizado solo por el fabricante o por proveedores de servicio autorizados.

## ADVERTENCIAS DE SEGURIDAD PARA LA SIERRA CALADORA

**Agarre la herramienta eléctrica por las superficies de agarre con aislamiento cuando realice una operación en la que es posible que el accesorio de corte entre en contacto con cables ocultos.** Es posible que el contacto del accesorio corte con un cable con corriente haga que las partes metálicas de la herramienta eléctrica que estén al descubierto lleven corriente, lo cual podría causar una descarga eléctrica al operador.

**Utilice abrazaderas u otra manera práctica de soportar la pieza de trabajo y sujetarla a una plataforma estable.** Si la pieza de trabajo se sujeta con la mano o contra el cuerpo, dicha pieza se deja inestable y es posible que cause pérdida de control.








### **⚠ ADVERTENCIA**





- Cierta polvo generado por las operaciones de lijado, aserrado, amolado y taladrado con herramientas eléctricas, así como por otras actividades de construcción, contiene sustancias químicas que el estado de California sabe que causan cáncer, defectos de nacimiento u otros daños sobre la reproducción. Algunos ejemplos de estas sustancias químicas son:
  - Plomo procedente de pinturas a base de plomo.

- Sílice cristalina procedente de ladrillos, cemento y otros productos de mampostería.
- Arsénico y cromo procedentes de madera de construcción tratada químicamente.
- El riesgo para usted por causa de estas exposiciones varía, dependiendo de qué tan a menudo realice este tipo de trabajo. Para reducir su exposición a estas sustancias químicas:
  - Trabaje en un área bien ventilada.
  - Trabaje con equipo de seguridad aprobado, tal como máscaras antipolvo que estén diseñadas especialmente para impedir mediante filtración el paso de partículas microscópicas.
  - Evite el contacto prolongado con el polvo procedente de las operaciones de lijado, aserrado, amolado y taladrado con herramientas eléctricas, así como de otras actividades de construcción. Use ropa protectora y lave las áreas expuestas del cuerpo con agua y jabón. Si deja que le entre polvo en la boca o en los ojos, o que le quede polvo en la piel, es posible que se promueva la absorción de sustancias químicas perjudiciales.

## SÍMBOLOS

**IMPORTANTE:** Puede que algunos de los siguientes símbolos aparezcan en la herramienta. Estúdielos y conozca su significado. La interpretación correcta de estos símbolos le permitirá utilizar la herramienta de manera eficaz y segura.

Símbolo	Nombre	Designación/Explicación
V	Voltios	Voltaje
A	Amperios	Corriente
Hz	Hertz	Frecuencia (ciclos por segundo)
W	Vatios	Alimentación
kg	Kilogramos	Peso
min	Minutos	Hora
s	Segundos	Hora
Wh	Vatio por horas	Capacidad de la batería
Ah	Amperios por hora	Capacidad de la batería
∅	Diámetro	Tamaño de las brocas para taladro, piedras de amolar, etc.
$n_0$	Velocidad sin carga	Velocidad de rotación sin carga
n	Rango de velocidad	Velocidad máxima alcanzable
.../min	Revoluciones o reciprocaciones por minuto (rpm)	Revoluciones, pasadas, velocidad de superficie, órbitas, etc. por minuto
0	Posición de apagado	Velocidad cero, torsión cero...
1,2,3,... I,II,III,	Ajustes del selector	Ajustes de velocidad, par o posición. Un número mayor significa mayor velocidad
	Selector de regulación continua con apagado	La velocidad aumenta desde el ajuste 0
	Flecha	Acción en la dirección de la flecha
	Corriente alterna (CA)	Tipo o característica de corriente
	Corriente continua (CC)	Tipo o característica de corriente
	Corriente alterna o continua (CA/CC)	Tipo o característica de corriente
	Herramienta de Clase II	Designa las herramientas de construcción con doble aislamiento
	Conexión a tierra de protección	Terminal de conexión a tierra
	Sello de iones de litio de RBRC	Designa el programa de reciclaje de baterías de iones de litio

Símbolo	Nombre	Designación/Explicación
	Lea las instrucciones	Indica al usuario que lea el manual
	Símbolo de use de lentes de protección	Alerta al usuario para que use protección ocular
	Utilice siempre la herramienta con las dos manos	Alerta al usuario para que utilice siempre la herramienta con las dos manos
	No utilice el protector para operaciones de tronzado	Alerta al usuario para que no utilice el protector para operaciones de tronzado

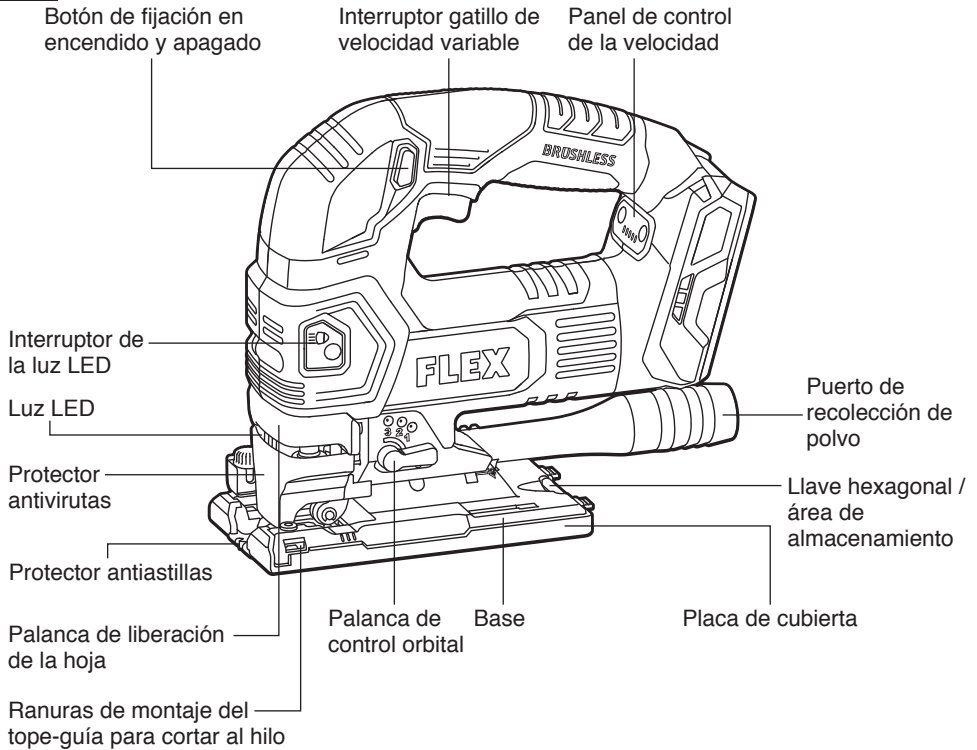
## SÍMBOLOS (INFORMACIÓN DE CERTIFICACIÓN)

Símbolo	Designación/Explicación
	Este símbolo designa que esta herramienta está incluida en la lista de Underwriters Laboratories.
	Este símbolo designa que esta herramienta es reconocida por Underwriters Laboratories.
	Este símbolo designa que esta herramienta está incluida en la lista de Underwriters Laboratories, conforme a las normas de Estados Unidos y Canadá.
	Este símbolo designa que esta herramienta está incluida en la lista de Canadian Standards Association.
	Este símbolo designa que esta herramienta está incluida en la lista de Canadian Standards Association, conforme a las normas de Estados Unidos y Canadá.
	Este símbolo designa que esta herramienta está incluida en la lista de Intertek Testing Services, conforme a las normas de Estados Unidos y Canadá.

# DESCRIPCIONES FUNCIONALES Y ESPECIFICACIONES

## Sierra caladora inalámbrica

Fig. 1



Núm. de modelo	FX2231	
Tensión nominal	24 V c.c.	
Intervalo de velocidad (carreras por minuto)	0 – 3500 /min	
Preajustes de velocidad	1, 2, 3, 4, Auto	
Longitud de carrera	1 pulgada (25 mm)	
Carrera pendular	Apagado y demás 3 ajustes orbitales	
Profundidad de corte máxima (con la broca adecuada)	Madera	4,72 pulgadas (120 mm)
	Aluminio	0,79 pulgadas (20 mm)
	Acero	0,39 pulgadas (10 mm)
Angulo de bisel	0° – 45° a ambos lados	
Temperatura de funcionamiento recomendada	-4 – 104 °F (-20 – 40 °C)	
Temperatura de almacenamiento recomendada	< 122 °F (< 50 °C)	

## ENSAMBLAJE

**⚠ ADVERTENCIA** Retire el paquete de batería de la herramienta antes de hacer cualquier ensamblaje o ajuste, o cambiar accesorios. Dichas medidas preventivas de seguridad reducen el riesgo de arrancar accidentalmente la herramienta.

### PARA INSTALAR/DESINSTALAR EL PAQUETE DE BATERÍA

**⚠ ADVERTENCIA** Apague siempre la herramienta antes de instalar o desinstalar el paquete de batería.

#### Para instalar el paquete de batería:

Alinee la costilla en relieve ubicada en el paquete de batería con las ranuras ubicadas en la herramienta y luego deslice el paquete de batería sobre la herramienta (Fig. 2).

**AVISO:** Cuando coloque el paquete de batería en la herramienta, asegúrese de que la costilla en relieve ubicada en el paquete de batería se alinee con la ranura ubicada dentro de la herramienta y que los pestillos se acoplen a presión en la posición correcta. Una instalación incorrecta del paquete de batería puede causar daños a los componentes internos.

#### Para desinstalar el paquete de batería:

Presione el botón de liberación de la batería ubicado en la parte delantera del paquete de batería para liberar dicho paquete. Jale hacia fuera el paquete de batería y retírelo de la herramienta (Fig. 3).

Fig. 2

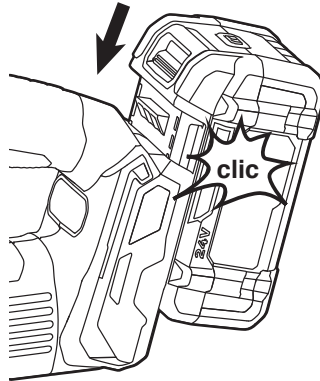
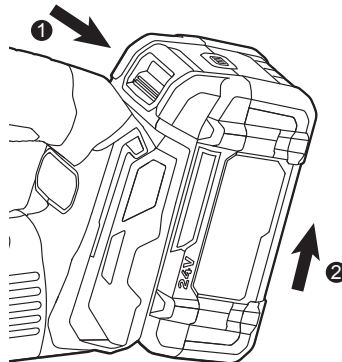


Fig. 3



## INSTALACIÓN Y DESINSTALACIÓN DE LA HOJA DE SIERRA

### Para instalar la hoja de sierra (Fig. 4):

- Inserte la hoja (con sus dientes orientados en el sentido de corte) en la ranura del portahoja tan hacia dentro como la hoja pueda llegar.
- Jale la hoja hacia abajo para verificar que esté firmemente bloqueada en la posición correcta.

**AVISO:** Cuando inserte la hoja de sierra, la parte trasera de la hoja debe descansar en el surco del rodillo de guía.

La herramienta solo puede aceptar las hojas con vástago en T más comúnmente disponibles.

### Para desinstalar la hoja de sierra (Fig. 5):

- Rote la palanca de liberación de la hoja y retire la hoja de sierra.
- Suelte la palanca de liberación de la hoja.

**⚠ ADVERTENCIA** Use siempre guantes protectores cuando desinstale la hoja de sierra de la herramienta. La hoja de sierra está afilada y es posible que esté caliente después de un uso prolongado.

Fig. 4

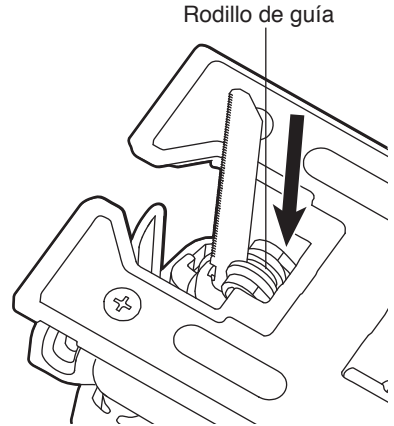
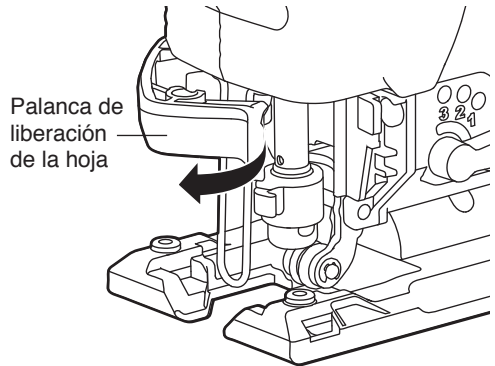


Fig. 5



## INSTALACIÓN Y DESINSTALACIÓN DE LOS ACCESORIOS

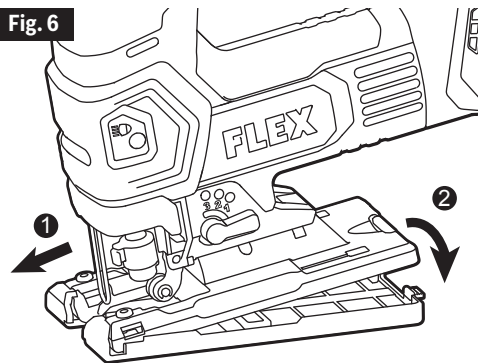
### PLACA DE CUBIERTA

**AVISO:** Use la placa de cubierta cuando corte chapas decorativas de madera, plásticos, etc. Dicha placa protege las superficies sensibles o delicadas contra los daños. Se monta en la parte inferior de la base de la herramienta.

#### Instalación:

Inserte la parte delantera de la base en la parte delantera de la placa de cubierta y baje la sierra caladora (Fig. 6).

Fig. 6

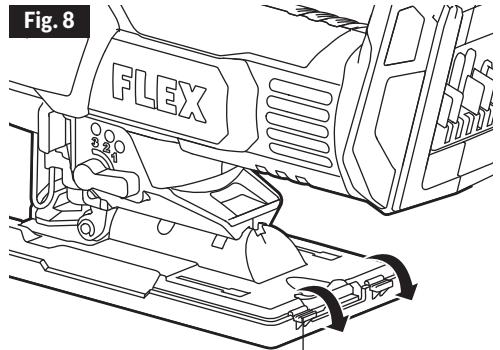
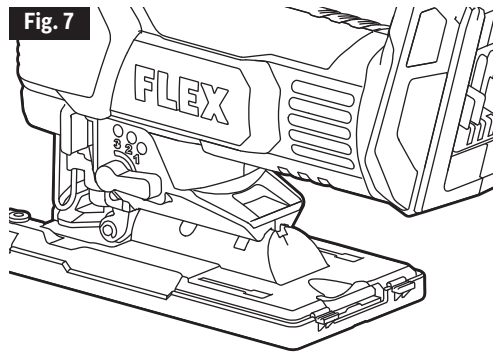


La placa de cubierta se deberá acoplar a presión de manera firme y audible sobre la parte trasera de la base (Fig. 7).

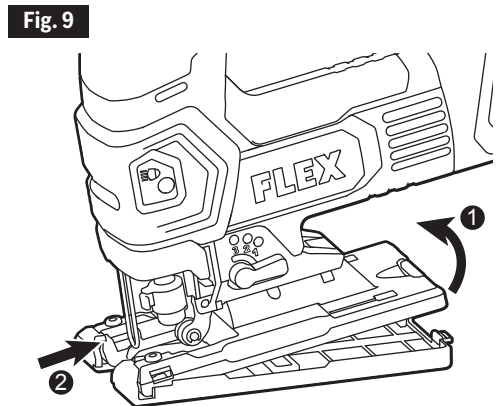
**Desinstalación:**

Presione hacia abajo sobre las dos lengüetas de liberación y deslice la placa de cubierta hacia delante aproximadamente 1/2 pulgada.

Levante la placa de cubierta para separarla de la base con el fin de retirarla (Fig. 8 & 9).



Lengüetas de liberación





## PROTECTOR ANTIASBILLAS

El protector antiastillas de plástico transparente sirve de garganta de holgura cero a lo largo de la hoja para reducir el astillamiento de la superficie superior de la pieza de trabajo. El protector antiastillas es un componente consumible que deberá ser reemplazado cuando se desgaste o cuando se utilicen hojas de diferentes grosores.

**⚠ ADVERTENCIA** Este procedimiento requiere que la sierra esté recibiendo corriente eléctrica y esté en funcionamiento durante una parte del procedimiento de instalación. Se debe tener cuidado para prevenir lesiones corporales. Retire el paquete de batería cuando se lo indiquen.

### Instalación:

- Retire el paquete de batería para prevenir arranques accidentales.
- Rote la palanca de control orbital hasta la posición del cero (0).
- Deslice los surcos del protector antiastillas de plástico sobre las costillas ubicadas en la placa de cubierta, pero no tan lejos como para tocar la hoja (Fig. 10).
- Instale el paquete de batería.
- Encienda la sierra y presione la parte delantera del protector antiastillas contra un banco de trabajo para permitir que la hoja de sierra corte penetrando en el protector antiastillas mientras se desliza el resto del camino hacia dentro de la placa de cubierta (Fig. 11).
- Para lograr una vida de servicio adicional, a medida que el protector antiastillas se vaya desgastando, puede empujarlo más hacia atrás hacia dentro de la placa de cubierta hasta que ya no haya espacio libre (Fig. 12).

### Desinstalación:

- Apague la sierra y retire el paquete de batería.
- Retire la hoja de sierra y jale hacia fuera el protector antiastillas.

Fig. 10

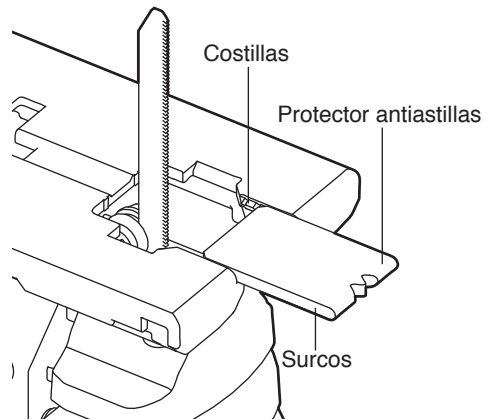


Fig. 11

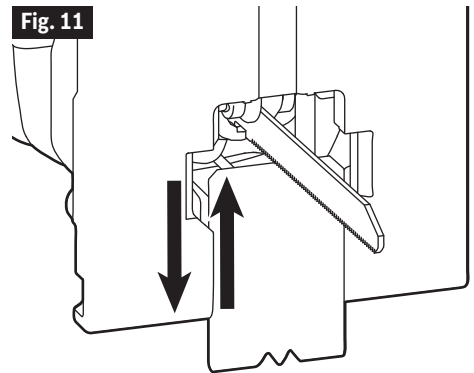
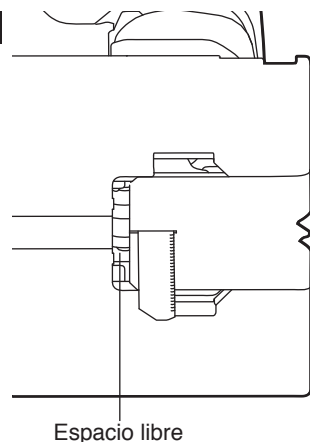


Fig. 12



## PROTECTOR ANTIVIRUTAS

### Instalación:

Inserte el protector antivirutas desde la parte delantera de la sierra y acople a presión la caja de engranajes hasta que el poste de límite esté alineado con el surco de posicionamiento de la caja de engranajes (Fig. 13 & 14).

### Desmontaje:

Abra las lengüetas y retire el protector antivirutas hacia delante.

Fig. 13

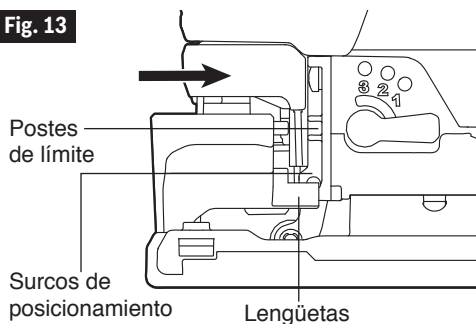
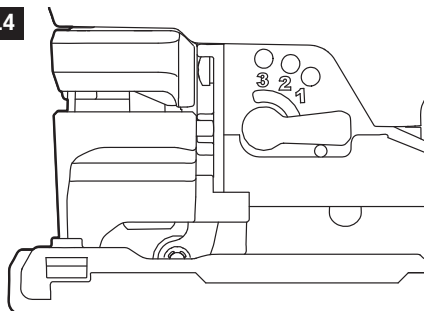


Fig. 14



## PUERTO DE RECOLECCIÓN DE POLVO

El puerto de recolección de polvo de esta sierra caladora es compatible con mangueras de aspiración o adaptadores de 32 mm de Ø.

### Instalación:

Alinee el puerto de recolección de polvo de la manera que se muestra en la ilustración, inserte el gancho del puerto de recolección de polvo en la ranura de la base, empuje el puerto de recolección de polvo hacia atrás y apriete el tornillo de sujeción en la parte delantera del puerto de recolección de polvo (Fig. 15).

El puerto de recolección de polvo se puede montar tanto en el lado derecho como en el lado izquierdo para acomodar la realización de cortes con diferentes ángulos de la base. Asegúrese de que la abertura de entrada de polvo esté orientada hacia la hoja.

### Desmontaje:

Afloje el tornillo de sujeción y empuje el puerto de recolección de polvo ligeramente hacia delante para retirarlo directamente (Fig. 16).

Fig. 15

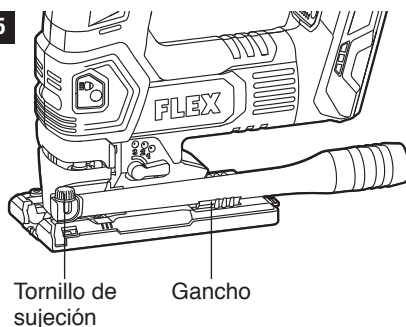
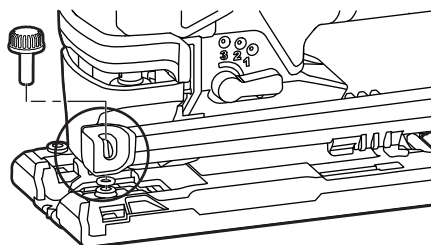


Fig. 16



## AJUSTES

**⚠ ADVERTENCIA** Retire el paquete de batería de la

herramienta antes de hacer cualquier ensamblaje o ajuste, o cambiar accesorios. Dichas medidas preventivas de seguridad reducen el riesgo de arrancar accidentalmente la herramienta.

### AJUSTE DEL ÁNGULO DE BISEL DE LA BASE

La base se puede inclinar desde 0° hasta 45° (hacia la izquierda o hacia la derecha) para ajustar el bisel.

**AVISO:** Retire el protector antiastillas si está insertado en la placa de cubierta.

**Para ajustar el ángulo de bisel:**

- Retire la llave hexagonal de la base (Fig. 17).
- Ponga la herramienta en posición invertida y utilice la llave hexagonal para aflojar el tornillo hexagonal girándolo en sentido contrario al de las agujas del reloj de la manera que se muestra en la ilustración (Fig. 18).
- Empuje la base ligeramente hacia atrás e inclínela hasta el ángulo deseado (0° – 45°) usando la escala que está marcada en el soporte de la base. Luego, apriete el tornillo hexagonal girándolo en el sentido de las agujas del reloj (Fig. 19).
- Devuelva la llave hexagonal a su área de almacenamiento dentro de la base de la sierra. Después de ajustar la base, haga un corte de muestra para verificar el ángulo de bisel.

Fig. 17

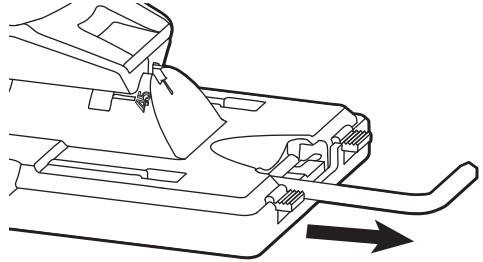


Fig. 18

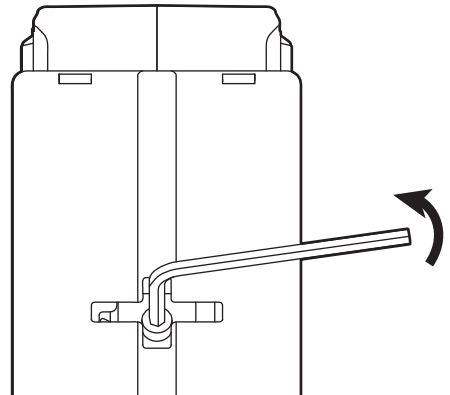
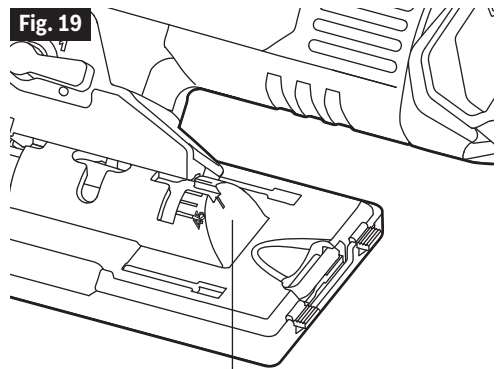


Fig. 19



Soporte de la base

## UTILIZACIÓN DE LOS PREAJUSTES DE VELOCIDAD (FIG. 20)

Su herramienta está equipada con un panel de control de la velocidad, ubicado debajo del mango. Dicho panel consiste en un botón de preajustes de velocidad, un botón "A" y 5 indicadores LED. Usted puede utilizar los botones para seleccionar uno de los 5 preajustes de velocidad basándose en el material que se vaya a cortar.

### Para seleccionar el preajuste de velocidad:

a. Compruebe primero el preajuste de velocidad activo. Hay dos maneras de hacerlo:

- una manera es ENCENDER la herramienta y luego APAGARLA.
- la otra manera es presionar el botón de preajustes de velocidad o el botón "A" sin tocar el interruptor gatillo.

En cualquiera de los dos casos, el indicador LED que está debajo del preajuste de velocidad activo se iluminará.

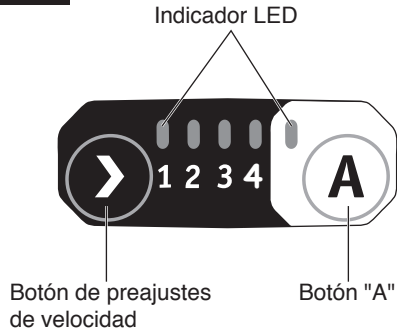
b. Presione el botón de preajustes de velocidad para ciclar a través de los preajustes 1, 2, 3 y 4 hasta que se active el preajuste deseado.

Consulte más detalles en la tabla que aparece a continuación.

### Para seleccionar el preajuste "A":

Presione el botón "A" para activar el preajuste "A". La próxima vez que se encienda la herramienta, este preajuste reducirá automáticamente la velocidad sin carga para reducir la vibración. Una vez que la herramienta penetre en la pieza de trabajo, la velocidad alcanzará el nivel más alto. Esto facilita el posicionamiento de la herramienta al comienzo del corte.

Fig. 20



**NOTA:** El interruptor gatillo de velocidad variable funciona como un interruptor de encendido y apagado solo en el preajuste "A".



c. Compruebe primero el preajuste de velocidad activo siguiendo el paso a que antecede.

d. Presione el botón "A" para seleccionar el preajuste de velocidad automático, después de lo cual los 5 indicadores LED se iluminarán. Consulte más detalles en la tabla que aparece a continuación.

**NOTA:** Su herramienta está equipada con una función de memoria del ajuste de velocidad. Dicha función revertirá al último preajuste de velocidad usado cuando la herramienta se encienda de nuevo.

En la tabla que aparece a continuación se muestra la relación entre el preajuste de velocidad, la velocidad y el número de indicadores LED que están iluminados en el panel de control de la velocidad. Consulte esta tabla para seleccionar la velocidad adecuada dependiendo del material que se vaya a cortar.

Estado del indicador LED	Preajuste de velocidad	Velocidad / CPM (carreras por minuto)	Material recomendado para ser cortado
<input type="checkbox"/> ENCENDIDO <input checked="" type="checkbox"/> ENCENDIDO APAGADO			
	1	800	Plásticos
	2	1800	Plásticos, madera, acero dulce, acero inoxidable, aluminio
	3	2700	Plásticos, madera, acero dulce, acero inoxidable, aluminio

Estado del indicador LED	Preajuste de velocidad	Velocidad / CPM (carreras por minuto)	Material recomendado para ser cortado
	4	3500	Madera, acero dulce, aluminio
	A	1400/3500	Madera, acero dulce, aluminio

**NOTA:** Debido a la variedad de grosores y tipos de material, es posible que la eficiencia de corte sea diferente. En general, las velocidades más

altas le permitirán cortar las piezas de trabajo más rápidamente, pero la vida de servicio de la hoja disminuirá.

### AJUSTES DE ACCIÓN ORBITAL

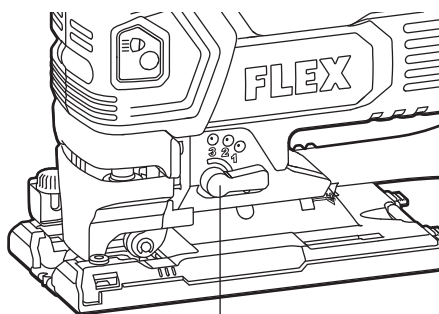
Su herramienta está equipada con cuatro ajustes de acción orbital para emparejar mejor la velocidad de corte, la capacidad de corte, el patrón de corte y el material que se esté cortando.

La acción orbital se puede ajustar con la palanca de control orbital (Fig. 21).

El ajuste de acción orbital óptima para la aplicación respectiva se puede determinar a través de cortes de prueba. Consulte la tabla siguiente:

Posición de la palanca	Acción de corte	Aplicaciones
0	Acción de corte en línea recta	Para cortar acero dulce, acero inoxidable y plásticos. Para realizar cortes limpios en madera y madera contrachapada.
1	Acción orbital baja	Para cortar acero dulce, aluminio y madera dura.
2	Acción orbital intermedia	Para cortar madera y madera contrachapada. Para cortar rápidamente en aluminio y acero dulce.
3	Acción orbital máxima	Para cortar rápidamente en madera y madera contrachapada.

**Fig. 21**



Palanca de control orbital

**NOTA:** Haga siempre primero cortes de prueba en material de desecho para determinar el mejor ajuste.

Para alcanzar la acción orbital completa, la hoja debe estar orientada directamente hacia delante, la parte trasera de la hoja debe estar descansando en el surco del rodillo de guía y la base debe estar posicionada completamente hacia delante.

La acción orbital no es detectable cuando la sierra está funcionando sin carga. La sierra debe estar cortando para que se produzca acción orbital.

El efecto de la acción orbital es más evidente cuando se corta material más grueso.

# INSTRUCCIONES DE UTILIZACIÓN

**⚠ ADVERTENCIA** Las herramientas a batería están siempre en condiciones de funcionamiento. Tenga cuidado cuando la herramienta no se esté utilizando o cuando la lleve a su lado.

## BOTÓN DE FIJACIÓN EN ENCENDIDO Y APAGADO E INTERRUPTOR GATILLO DE VELOCIDAD VARIABLE

Su herramienta está equipada con un botón de fijación en encendido y apagado, ubicado encima del interruptor gatillo de velocidad variable. Cuando dicho botón se coloca en tres posiciones distintas, realiza las siguientes funciones:

### Fijación en apagado

Cuando el botón de fijación en encendido y apagado esté ubicado en la posición central, presiónelo completamente hacia el lado izquierdo. En este momento, el interruptor gatillo de velocidad variable no se puede activar más, para impedir que la sierra se encienda accidentalmente.

### Encendido y apagado

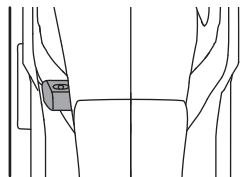
Para arrancar la sierra, ponga el interruptor gatillo de velocidad variable en la posición central y luego presione el interruptor gatillo.

Para parar la sierra, suelte el interruptor gatillo de velocidad variable.

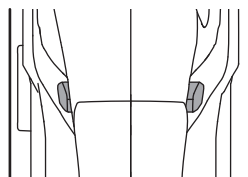
El interruptor gatillo de velocidad variable produce una velocidad más alta al aumentar la presión sobre el gatillo y una velocidad más baja al reducir la presión sobre el gatillo.

**NOTA:** El interruptor gatillo de velocidad variable funciona como un interruptor de encendido y apagado solo en el preajuste "A".

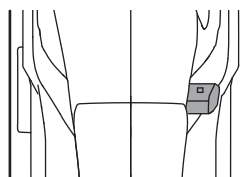
Fig. 22



Fijación en apagado



Encendido y apagado



Fijación en encendido

### Fijación en encendido

Con el interruptor gatillo presionado, presione el botón de fijación en encendido y apagado completamente hacia el lado derecho para bloquear el gatillo en la posición de ENCENDIDO. Esto es útil para operaciones de corte de larga duración. Para desactivar la función de fijación en encendido, presione de nuevo el interruptor gatillo de velocidad variable. El botón de fijación en encendido y apagado regresará automáticamente a la posición central.

**LUZ DE TRABAJO LED (FIG. 23)**

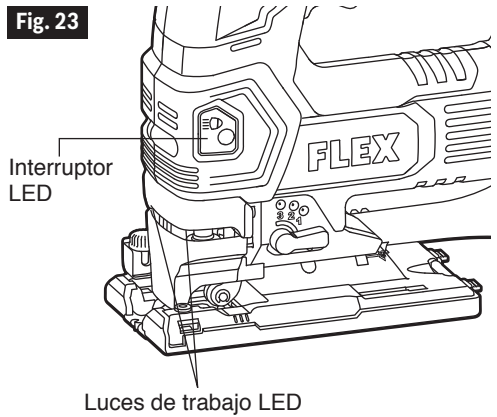
Su herramienta está equipada con dos luces de trabajo LED ubicadas en la parte delantera de la misma. Las luces proporcionan iluminación adicional de la superficie de la pieza de trabajo para operar en áreas de poca iluminación.

Presione el interruptor LED para encender las luces. Las luces permanecerán encendidas durante aproximadamente 10 segundos. Cuando ENCIENDA la herramienta, las luces se encenderán automáticamente y permanecerán encendidas mientras la herramienta esté ENCENDIDA. La luz se apagará después de aproximadamente 10 segundos de inactividad.

Usted puede desactivar el encendido y apagado automático de las luces presionando el interruptor de la luz para encender las luces y presionando luego inmediatamente de nuevo dicho interruptor para apagar las luces.

Los componentes electrónicos de las luces LED cuentan con una función de memoria que recuerda el último ajuste.

**Fig. 23**



**⚠ ADVERTENCIA** Para reducir el riesgo de incendio, lesiones corporales y daños al producto debido a un cortocircuito, no sumerja nunca su herramienta, el paquete de batería ni el cargador en un líquido ni deje que un líquido fluya dentro de ellos. Los líquidos corrosivos o conductores, tales como el agua de mar, ciertos productos químicos industriales y el blanqueador o los productos que contienen blanqueador, etc., pueden causar un cortocircuito.

**⚠ ADVERTENCIA** Si cualquiera de las piezas está dañada o falta, no utilice este producto hasta que las piezas hayan sido reemplazadas. La utilización de este producto con piezas dañadas

o si le faltan piezas podría causar lesiones corporales graves.

**⚠ ADVERTENCIA** No intente modificar esta herramienta ni crear accesorios no recomendados para utilizarse con esta herramienta. Cualquiera de dichas alteraciones o modificaciones constituye un uso incorrecto y podría provocar una situación peligrosa que cause posibles lesiones graves.

**⚠ ADVERTENCIA** Para prevenir arranques accidentales que podrían causar lesiones corporales graves, retire siempre el paquete de batería de la herramienta cuando ensamble piezas, haga ajustes o limpie la herramienta.

**Esta sierra caladora inalámbrica se debe utilizar solo con los paquetes de batería y los cargadores que se indican a continuación:**

Batería				Cargador	
2.5Ah	5Ah	8Ah	12Ah		
FLEX FX0111	FLEX FX0121	FLEX FX0221	FLEX FX0231	FLEX FX0411	FLEX FX0421

**AVISO:** Sírvase consultar los manuales del paquete de batería y del cargador para obtener información detallada de utilización.

## CONSEJOS PARA CORTAR

**⚠️ ADVERTENCIA** Antes de instalar el paquete de batería en la herramienta, compruebe siempre el interruptor para determinar que funciona correctamente y regrese a la posición de “APAGADO” al soltarlo.

**⚠️ ADVERTENCIA** Use siempre anteojos de seguridad o gafas de seguridad con escudos laterales durante la utilización de la herramienta eléctrica o cuando sople polvo. Si la operación genera grandes cantidades de polvo, use también una máscara antipolvo.

**⚠️ ADVERTENCIA** Para evitar la pérdida de control y lesiones graves, asegúrese de que la hoja alcance la velocidad máxima deseada antes de tocar con ella la pieza de trabajo.

Oriento la cara buena del material hacia abajo y fije dicho material en una prensa de tornillo de banco o con abrazaderas. Dibuje las líneas

o los diseños de corte en la cara del material orientada hacia usted. Coloque el borde delantero de la base de la sierra sobre la pieza de trabajo y alinee la hoja con la línea que se vaya a cortar. Agarre firmemente la sierra caladora, enciéndala y presione hacia abajo para mantener la base de la sierra en posición plana contra la pieza de trabajo mientras usted empuja lentamente la sierra para que penetre en la pieza de trabajo en la dirección del corte.

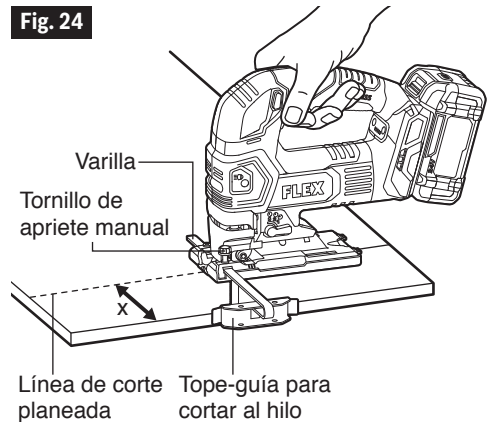
Aumente gradualmente la velocidad de corte, cortando cerca de la línea (a menos que quiera dejar material para realizar lijado de acabado). Es posible que tenga que ajustar o reubicar la prensa de tornillo o las abrazaderas a medida que corte para mantener estable la pieza de trabajo. No fuerce la sierra o es posible que los dientes de la hoja rocen y se desgasten sin cortar y es posible que la hoja se rompa. Deje que la sierra haga la mayor parte del trabajo. Cuando siga curvas, corte lentamente para que la hoja pueda cortar transversalmente a la veta. Esto producirá un corte preciso y e impedirá que la hoja se desvíe.

## CORTE CON UN TOPE-GUÍA PARA CORTAR AL HILO (FIG. 24)

El tope-guía para cortar al hilo Flex modelo FT221 no está incluido y se deberá comprar por separado. Dicho tope le permite a usted hacer cortes largos paralelos al borde de la pieza de trabajo.

- Inserte la varilla del tope-guía para cortar al hilo en las ranuras de la base de la sierra caladora. El tope-guía para cortar al hilo se puede montar tanto en el lado derecho como en el lado izquierdo.
- Determine la anchura de corte “X” y fije el tope-guía para cortar al hilo en esta posición utilizando el tornillo de apriete manual incluido en el kit del tope-guía para cortar al hilo.
- Alinee el tope-guía para cortar al hilo de manera que esté al ras contra el borde de la pieza de trabajo y haga el corte. Utilice una hoja de corte basto siempre que sea posible.

**Fig. 24**





## CORTE CON UN PEDAZO DE MADERA CON BORDE RECTO

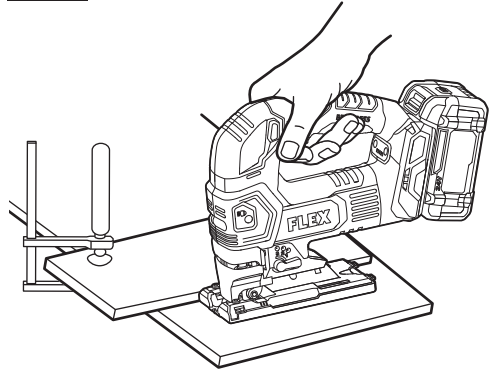
Utilice una hoja de corte basto siempre que sea posible. Fije con abrazaderas un pedazo de madera con borde recto sobre la pieza de trabajo, paralelo a la línea de corte y al ras con el lado de la base de la sierra.

O bien **a.** marque primero la línea de corte y luego posicione el pedazo de madera con borde recto en posición paralela y a la misma distancia que la distancia entre la hoja y el borde lateral de la base, o bien

**b.** marque primero el borde lateral de la base y luego fije con abrazaderas el pedazo de madera con borde recto sobre la marca y paralelo a la línea de corte (Fig. 25).

A medida que corte, mantenga el borde del pie de la sierra al ras contra el pedazo de madera con borde recto y plano sobre la pieza de trabajo.

Fig. 25



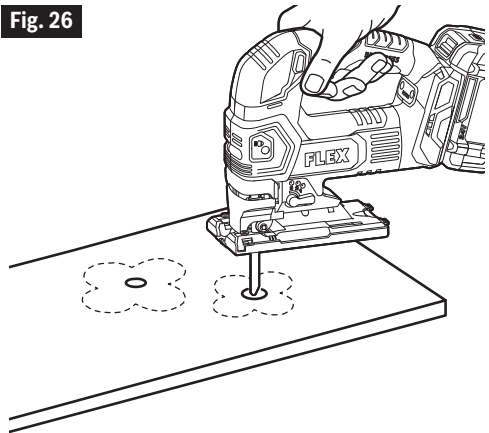
## CORTES DE ABERTURAS

Los cortes de aberturas se pueden hacer con cualquiera de los dos métodos A o B.

### A. Taladrado de un agujero de inicio (Fig. 26):

Para realizar cortes de aberturas de tipo interno sin un corte de entrada desde un borde, pretaladre un agujero de inicio de 1/2 pulgada (12 mm) de diámetro o más grande. Inserte la hoja en este agujero para comenzar el corte.

Fig. 26



## B. Corte por inmersión (Fig. 27):

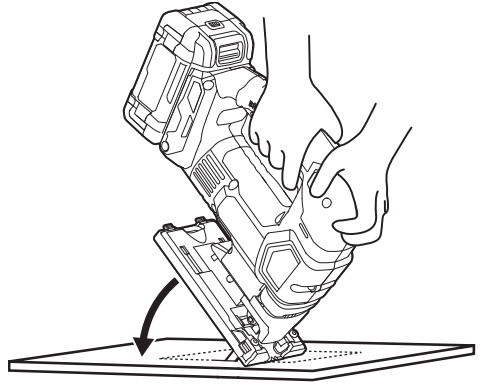
No es necesario taladrar un agujero de inicio o hacer un corte de entrada si se hace cuidadosamente lo siguiente:

- Asegúrese de que la base de la sierra esté ajustada para realizar cortes rectos (sin ángulo de bisel).
- Incline la herramienta hacia arriba sobre el borde delantero de la base, con la punta de la hoja posicionada justo encima de la superficie de la pieza de trabajo.
- Aplique presión a la herramienta para que el borde delantero de la base no se mueva al encender la herramienta y baje lentamente el extremo trasero de la herramienta.
- A medida que la hoja penetre en la pieza de trabajo, siga pivotando la herramienta hacia abajo hasta que la base descansa en posición plana sobre la pieza de trabajo.
- Complete el corte de manera normal

**AVISO:** No recomendamos cortar por inmersión con una hoja de sierra de contornear.

Para hacer esquinas pronunciadas, corte hasta la esquina, luego pare la sierra y retroceda ligeramente antes de redondear la esquina. Después de completar la abertura, regrese a cada esquina y córtela desde la dirección opuesta para escuadrarla.

Fig. 27



**⚠ ADVERTENCIA** No corte por inmersión en superficies metálicas.

## CORTE EN METAL

**⚠ ADVERTENCIA** No corte nunca para metales utilizando la hoja para cortar madera. Si no se sigue esta advertencia, el resultado podría ser lesiones corporales graves.

- Fije con abrazaderas el material cuando corte metal.
- Asegúrese de mover la sierra lentamente a lo largo del material.
- Use velocidades más bajas.
- No tuerza, doble ni fuerce la hoja.
- Si la sierra salta o rebota, utilice una hoja con dientes más finos.
- Si la hoja parece obstruida al cortar metal blando, utilice una hoja con dientes más gruesos.

- Para facilitar el corte, lubrique la hoja con una barra de cera para cortar, si está disponible, o con aceite para cortar cuando corte acero.
- El metal delgado se deberá colocar en "sándwich" entre dos pedazos de madera o fijar firmemente con abrazaderas sobre un solo pedazo de madera (la madera sobre el metal). Dibuje las líneas de corte o el diseño de corte en el pedazo superior de madera.
- Cuando corte extrusión de aluminio o hierro angular, fije la pieza de trabajo en una prensa de tornillo de banco y aserre cerca de las mandíbulas de dicha prensa.
- Cuando aserre un tubo y el diámetro sea mayor que la profundidad de la hoja, corte atravesando la pared del tubo y luego inserte la hoja en el corte, rotando el tubo a medida que vaya aserrando.

## MANTENIMIENTO

**⚠ ADVERTENCIA** Para evitar lesiones corporales graves, retire siempre el paquete de batería de la herramienta cuando realice limpieza o efectúe cualquier mantenimiento.

### SERVICIO DE AJUSTES Y REPARACIONES

**⚠ ADVERTENCIA** Es posible que el mantenimiento preventivo realizado por personal no autorizado dé lugar a una colocación incorrecta de los cables y componentes internos, lo cual podría causar un peligro grave. Recomendamos que todo el servicio de ajustes y reparaciones de la herramienta sea realizado por un Centro de Servicio de Fábrica FLEX o una Estación de Servicio FLEX Autorizada.

### MANTENIMIENTO GENERAL

**⚠ ADVERTENCIA** Cuando haga servicio de ajustes y reparaciones, utilice únicamente piezas de repuesto idénticas. La utilización de cualquier otra pieza podría crear un peligro o causar daños al producto. Inspeccione periódicamente todo el producto para determinar si hay piezas dañadas, si faltan piezas o si hay piezas flojas, tales como tornillos, tuercas, pernos, tapas, etc. Apriete firmemente todos los sujetadores y todas las tapas, y no utilice este producto hasta que todas las piezas que falten o estén dañadas hayan sido reemplazadas. Sírvase contactar a servicio al cliente o a un centro de servicio autorizado para obtener asistencia.

### LIMPIEZA

**⚠ ADVERTENCIA** La herramienta se puede limpiar con la máxima eficacia con aire comprimido seco. Use siempre anteojos de seguridad cuando limpie herramientas con aire comprimido. Las aberturas de ventilación y las palancas de interruptor se deben mantener limpias y libres de materia extraña. No intente limpiar la herramienta insertando objetos puntiagudos a través de las aberturas.

**⚠ ADVERTENCIA** Ciertos agentes de limpieza y solventes dañan las piezas de plástico. Algunos de estos son: gasolina, tetracloruro de carbono, solventes de limpieza clorados, amoníaco y detergentes domésticos que contienen amoníaco.

### ALMACENAMIENTO

Almacene la herramienta en un lugar interior que sea inaccesible para los niños. Manténgala alejada de los agentes corrosivos.

## ACCESORIOS

**⚠ ADVERTENCIA** Es posible que el uso de cualquier otro accesorio no especificado en este manual cree un peligro.

Protector antiastillas

Protector antivirutas

Placa de cubierta

Puerto de recolección de polvo

Llave hexagonal

## GARANTIE LIMITE DE CINQ ANS

Chervon North America, Inc. (« Vendeur ») garantit uniquement à l'acheteur d'origine que tous les produits FLEX de 24 V seront exempts de tout défaut de matériel ou de fabrication pendant une période de cinq ans à compter de la date d'achat lorsque l'acheteur d'origine enregistre le produit dans les 30 jours suivant la date d'achat au détail et conserve son reçu comme preuve de l'achat. LA PÉRIODE DE GARANTIE LIMITÉE DE CINQ ANS EST CONDITIONNÉE PAR L'ENREGISTREMENT DU PRODUIT DANS LES 30 JOURS SUIVANT L'ACHAT ET NE S'APPLIQUE QU'AUX OUTILS, PILES ET CHARGEURS FLEX DE 24 V. Si l'acheteur d'origine n'enregistre pas son produit dans les 30 jours, la garantie limitée susmentionnée s'applique pour une durée de trois ans. L'enregistrement du produit peut être effectué en ligne à l'adresse suivante : [www.registermyflex.com](http://www.registermyflex.com).

**Outils de 24 V :** Garantie limitée de cinq ans avec l'enregistrement

**Piles et chargeurs de 24 V :** Garantie limitée de cinq ans avec l'enregistrement

**Produits filaires FLEX de la génération précédente de 12 V et de 20 V :** Garantie limitée d'un an; pas de bénéfices résultant de l'enregistrement

**Accessoires et attachements :** Pas de garantie

LA SEULE OBLIGATION DU VENDEUR ET VOTRE SEUL RECOURS dans le cadre de cette garantie limitée de cinq ans et, dans la mesure permise par la loi, toute garantie ou condition impliquée par la loi, sera la réparation ou le remplacement des pièces, sans frais, qui sont défectueuses en termes de matériel ou de fabrication et qui n'ont pas été utilisées de façon inappropriée, manipulées avec négligence ou réparées par des personnes autres qu'un concessionnaire réparateur autorisé de FLEX. Cette garantie ne couvre pas les défaillances des pièces dues à une usure normale. Pour faire une réclamation au titre de la garantie, renvoyez le produit complet, transport payé, à un concessionnaire réparateur autorisé de FLEX. Pour identifier des concessionnaires réparateurs autorisés de FLEX, veuillez vous rendre sur le site [www.registermyflex.com](http://www.registermyflex.com) ou téléphonez au 1-833-FLEX-496 (1-833-353-9496).

La présente garantie limitée de cinq ans ne s'applique pas aux accessoires, attachements ou pièces.

Toute garantie implicite applicable à un produit est limitée dans le temps à une durée égale à la durée des garanties expresses applicables à ce produit, comme indiqué au premier paragraphe ci-dessus. Étant donné que certains États des États-Unis et certaines provinces canadiennes n'autorisent pas la limitation de la durée d'une garantie implicite, la limitation ci-dessus peut ne pas s'appliquer.

FLEX n'est pas responsable des dommages directs, indirects, accidentels ou consécutifs. Étant donné que certains États des États-Unis et certaines provinces canadiennes n'autorisent pas la limitation de la durée d'une garantie implicite et/ou l'exclusion ou la limitation des dommages accessoires ou indirects, les limitations ou exclusions ci-dessus peuvent ne pas s'appliquer. Cette garantie limitée vous donne des droits légaux spécifiques, et vous pouvez également avoir d'autres droits qui varient selon les États des États-Unis et les provinces du Canada.

Cette garantie limitée s'applique uniquement aux produits vendus aux États-Unis d'Amérique, au Canada et dans le Commonwealth de Porto Rico. Pour connaître la couverture de la garantie dans les autres pays, contactez votre revendeur FLEX local.

© Chervon North America, 1203 E. Warrenville Rd., Naperville, IL 60563

[www.flexpowertools.com](http://www.flexpowertools.com)

[www.registermyflex.com](http://www.registermyflex.com)

1-833-FLEX-496 (1-833-353-9496)

Revisado 01/2021