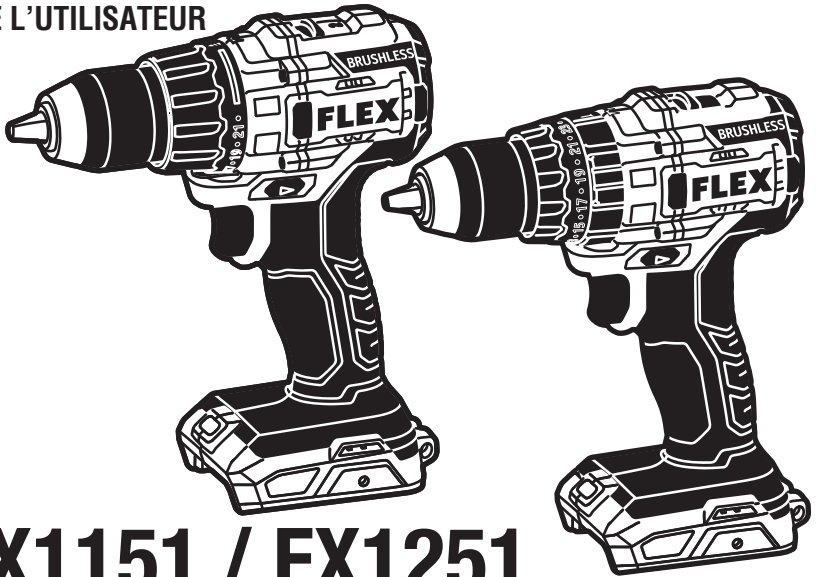


FLEX

OPERATOR'S MANUAL
MANUAL DEL OPERADOR
MANUEL DE L'UTILISATEUR



Model:
Modelo:
Modèle:

FX1151 / FX1251

DRILL DRIVER / HAMMER DRILL
PERCEUSE-VISSEUSE / MARTEAU PERFORATEUR
TALADRO ATORNILLADOR / TALADRO DE PERCUSIÓN

Contact Us /
Nous contacter /
Contáctenos



833-FLEX-496
(833-3539-496)



www.Registermyflex.com



For English
Version

See page 2

Version
française

Voir page 24

Versión en
español

Ver la página 47

SAFETY SYMBOLS

The purpose of safety symbols is to attract your attention to possible dangers. The safety symbols and the explanations with them deserve your careful attention and understanding. The symbol warnings do not, by themselves, eliminate any danger. The instructions and warnings they give are no substitutes for proper accident prevention measures.

⚠ WARNING Be sure to read and understand all safety instructions in this Operator's Manual, including all safety alert symbols such as "**DANGER**," "**WARNING**," and "**CAUTION**" before using this tool. Failure to follow all instructions listed below may result in electric shock, fire, and/or serious personal injury.

The definitions below describe the level of severity for each signal word. Please read the manual and pay attention to these symbols.



This is the safety alert symbol. It is used to alert you to potential personal injury hazards. Obey all safety messages that follow this symbol to avoid possible injury or death.



DANGER indicates a hazardous situation which, if not avoided, will result in death or serious injury.



WARNING indicates a hazardous situation which, if not avoided, could result in death or serious injury.



CAUTION, used with the safety alert symbol, indicates a hazardous situation which, if not avoided, will result in minor or moderate injury.

Damage Prevention and Information Messages

These inform the user of important information and/or instructions that could lead to equipment or other property damage if they are not followed. Each message is preceded by the word "NOTICE", as in the example below:

NOTICE: Equipment and/or property damage may result if these instructions are not followed.



The operation of any power tools can result in foreign objects being thrown into your eyes, which can result in severe eye damage. Before beginning power tool operation, always wear safety goggles or safety glasses with side shields and a full face shield when needed. We recommend a Wide Vision Safety Mask for use over eyeglasses or standard safety glasses with side shields. Always use eye protection which is marked to comply with ANSI Z87.1.

GENERAL POWER TOOL SAFETY WARNINGS



WARNING Read all safety warnings, instructions, illustrations and specifications provided with this power tool. Failure to follow all instructions listed below may result in electric shock, fire and/or serious injury.

SAVE ALL WARNINGS AND INSTRUCTIONS FOR FUTURE REFERENCE.

The term “power tool” in the warnings refers to your mains-operated (corded) power tool or battery-operated (cordless) power tool.

Work area safety

Keep work area clean and well lit. Cluttered or dark areas invite accidents.

Do not operate power tools in explosive atmospheres, such as in the presence of flammable liquids, gases or dust. Power tools create sparks which may ignite the dust or fumes.

Keep children and bystanders away while operating a power tool. Distractions can cause you to lose control.

Electrical safety

Power tool plugs must match the outlet. Never modify the plug in any way. Do not use any adapter plugs with earthed (grounded) power tools. Unmodified plugs and matching outlets will reduce risk of electric shock.

Avoid body contact with earthed or grounded surfaces, such as pipes, radiators, ranges and refrigerators. There is an increased risk of electric shock if your body is earthed or grounded.

Do not expose power tools to rain or wet conditions. Water entering a power tool will increase the risk of electric shock.

Do not abuse the cord. Never use the cord for carrying, pulling or unplugging the power tool. Keep cord away from heat, oil, sharp edges or moving parts. Damaged or entangled cords increase the risk of electric shock.

When operating a power tool outdoors, use an extension cord suitable for outdoor use. Use of a cord suitable for outdoor use reduces the risk of electric shock.

If operating a power tool in a damp location is unavoidable, use a ground fault circuit interrupter (GFCI) protected supply. Use of a GFCI reduces the risk of electric shock.

Personal safety

Stay alert, watch what you are doing and use common sense when operating a power tool. Do not use a power tool while you are tired or under the influence of drugs, alcohol or medication. A moment of inattention while operating power tools may result in serious personal injury.

Use personal protective equipment. Always wear eye protection. Protective equipment such as a dust mask, non-skid safety shoes, hard hat or hearing protection used for appropriate conditions will reduce personal injuries.

Prevent unintentional starting. Ensure the switch is in the off-position before connecting to power source and/or battery pack, picking up or carrying the tool. Carrying power tools with your finger on the switch or energizing power tools that have the switch on invites accidents.

Remove any adjusting key or wrench before turning the power tool on. A wrench or a key left attached to a rotating part of the power tool may result in personal injury.

Do not overreach. Keep proper footing and balance at all times. This enables better control of the power tool in unexpected situations.

Dress properly. Do not wear loose clothing or jewelry. Keep your hair, and clothing away from moving parts. Loose clothes, jewelry or long hair can be caught in moving parts.

If devices are provided for the connection of dust extraction and collection facilities, ensure these are connected and properly used. Use of dust collection can reduce dust-related hazards.

Do not let familiarity gained from frequent use of tools allow you to become complacent and ignore tool safety principles. A careless action can cause severe injury within a fraction of a second.

Power tool use and care

Do not force the power tool. Use the correct power tool for your application. The correct power tool will do the job better and safer at the rate for which it was designed.

Do not use the power tool if the switch does not turn it on and off. Any power tool that cannot be controlled with the switch is dangerous and must be repaired.

Disconnect the plug from the power source and/or remove the battery pack, if detachable, from the power tool before making any adjustments, changing accessories, or storing power tools. Such preventive safety measures reduce the risk of starting the power tool accidentally.

Store idle power tools out of the reach of children and do not allow persons unfamiliar with the power tool or these instructions to operate the power tool. Power tools are dangerous in the hands of untrained users.

Maintain power tools and accessories. Check for misalignment or binding of moving parts, breakage of parts and any other condition that may affect the power tool's operation. If damaged, have the power tool repaired before use. Many accidents are caused by poorly maintained power tools.

Keep cutting tools sharp and clean. Properly maintained cutting tools with sharp cutting edges are less likely to bind and are easier to control.

Use the power tool, accessories and tool bits etc. in accordance with these instructions, taking into account the working conditions and the work to be performed.

Use of the power tool for operations different from those intended could result in a hazardous situation.

Keep handles and grasping surfaces dry, clean and free from oil and grease. Slippery handles and grasping surfaces do not allow for safe handling and control of the tool in unexpected situations.

Battery tool use and care

Recharge only with the charger specified by the manufacturer. A charger that is suitable for one type of battery pack may create a risk of fire when used with another battery pack.

Use power tools only with specifically designated battery packs. Use of any other battery packs may create a risk of injury and fire.

When battery pack is not in use, keep it away from other metal objects, like paper clips, coins, keys, nails, screws or other small metal objects, that can make a connection from one terminal to another. Shorting the battery terminals together may cause burns or a fire.

Under abusive conditions, liquid may be ejected from the battery; avoid contact. If contact accidentally occurs, flush with water. If liquid contacts eyes, additionally seek medical help. Liquid ejected from the battery may cause irritation or burns.

Do not use a battery pack or tool that is damaged or modified. Damaged or modified batteries may exhibit unpredictable behavior resulting in fire, explosion or risk of injury.

Do not expose a battery pack or tool to fire or excessive temperature. Exposure to fire or temperature above 265 °F (130°C) may cause explosion.

Follow all charging instructions and do not charge the battery pack or tool outside the temperature range specified in the instructions. Charging improperly or at temperatures outside the specified range may damage the battery and increase the risk of fire.

Service

Have your power tool serviced by a qualified repair person using only identical replacement parts. This will ensure that the safety of the power tool is maintained.

Never service damaged battery packs. Service of battery packs should only be performed by the manufacturer or authorized service providers.

SAFETY WARNINGS FOR DRILL DRIVER

- **Hold the power tool by insulated gripping surfaces, when performing an operation where the cutting accessory or fastener may contact hidden wiring.** cutting accessory or fasteners contacting a “live” wire may make exposed metal parts of the power tool “live” and could give the operator an electric shock.
- **Use auxiliary handle(s).** Loss of control can cause personal injury.
- **Secure the work piece.** Clamping devices or a vise will hold the work piece in place better and more safely than holding it by hand.
- **Do not drill, fasten or break into existing walls or other blind areas where electrical wiring may exist. If this situation is unavoidable, disconnect all fuses or circuit breakers feeding this worksite.**
- **Position yourself to avoid being caught between the tool and walls or posts.** Should the bit become bound or jammed in the work, the reaction torque of the tool could crush your hand or leg.
- **Always wait until the tool has come to a complete stop before placing it down.** The tool insert can jam and lead to loss of control over the power tool.
- **When working with the power tool, always hold it firmly with both hands and assume a secure stance.** The power tool is guided more securely with both hands.

SAFETY WARNINGS FOR HAMMER DRIVER

- **Wear ear protectors when impact drilling.** Exposure to noise can cause hearing loss.
- **Hold the power tool by insulated gripping surfaces, when performing an operation where the cutting accessory or fastener may contact hidden wiring.** cutting accessory or fasteners contacting a “live” wire may make exposed metal parts of the power tool “live” and could give the operator an electric shock.
- **Use auxiliary handle(s).** Loss of control can cause personal injury.
- **Secure the work piece.** Clamping devices or a vise will hold the work piece in place better and more safely than holding it by hand.
- **Do not drill, fasten or break into existing walls or other blind areas where electrical wiring may exist. If this situation is unavoidable, disconnect all fuses or circuit breakers feeding this worksite.**
- **Position yourself to avoid being caught between the tool and walls or posts.** Should the bit become bound or jammed in the work, the reaction torque of the tool could crush your hand or leg.

Safety instructions when using long drill bits:

- Never operate at higher speed than the maximum speed rating of the drill bit. At higher speeds, the bit is likely to bend if allowed to rotate freely without contacting the workpiece, resulting in personal injury.
- Always start drilling at low speed and with the bit tip in contact with the workpiece.
- At higher speeds, the bit is likely to bend if allowed to rotate freely without contacting the workpiece, resulting in personal injury.
- Apply pressure only in direct line with the bit and do not apply excessive pressure. Bits can bend causing breakage or loss of control, resulting in personal injury.










WARNING




- Some dust created by power sanding, sawing, grinding, drilling and other construction activities contains chemicals known to the State of California to cause cancer, birth defects or other reproductive harm. Some examples of these chemicals are:
 - Lead from lead-based paints.
 - Crystalline silica from bricks, cement, and other masonry products.

- Arsenic and chromium from chemically-treated lumber.
- Your risk from these exposures varies, depending upon how often you do this type of work. To reduce your exposure to these chemicals:
 - Work in a well-ventilated area.
 - Work with approved safety equipment, such as dust masks that are specially designed to filter out microscopic particles.
 - Avoid prolonged contact with dust from power sanding, sawing, grinding, drilling, and other construction activities. Wear protective clothing and wash exposed areas with soap and water. Allowing dust to get into your mouth or eyes or to lie on the skin may promote absorption of harmful chemicals.







SYMBOLS

IMPORTANT: Some of the following symbols may be used on your tool. Please study them and learn their meaning. Proper interpretation of these symbols will allow you to operate the tool better and safer.

Symbol	Name	Designation/Explanation
V	Volts	Voltage
A	Amperes	Current
Hz	Hertz	Frequency (cycles per second)
W	Watt	Power
kg	Kilograms	Weight
min	Minutes	Time
s	Seconds	Time
Wh	Watt-hours	Battery capacity
Ah	Ampere-hours	Battery capacity
∅	Diameter	Size of drill bits, grinding wheels, etc.
n_0	No load speed	Rotational speed, at no load
n	Rated speed	Maximum attainable speed
.../min	Revolutions or reciprocations per minute (rpm)	Revolutions, strokes, surface speed, orbits, etc. per minute
O	Off position	Zero speed, zero torque...
1,2,3,... I,II,III,	Selector settings	Speed, torque, or position settings. Higher number means greater speed
	Infinitely variable selector with off	Speed is increasing from 0 setting
	Arrow	Action in the direction of arrow
	Alternating current (AC)	Type or a characteristic of current
	Direct current (DC)	Type or a characteristic of current
	Alternating or direct current (AC / DC)	Type or a characteristic of current
	Class II tool	Designates Double Insulated Construction tools.
	Protective earth	Grounding terminal
	Li-ion RBRC seal	Designates Li-ion battery recycling program
	Read the instructions	Alerts user to read manual

Symbol	Name	Designation/Explanation
	Wear eye protection symbol	Alerts user to wear eye protection
	Always operate with two hands	Alerts user to always operate with two hands
	Do not use the guard for cut-off operations	Do not use the guard for cut-off operations

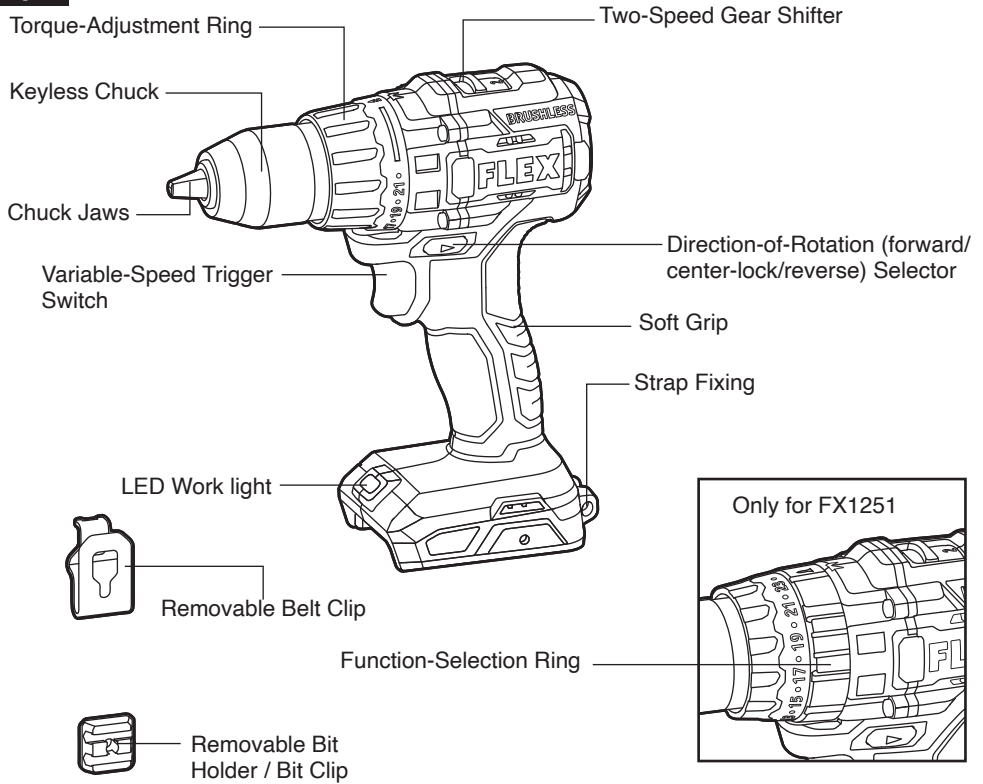
SYMBOLS (CERTIFICATION INFORMATION)

Symbol	Designation/Explanation
	This symbol designates that this tool is listed by Underwriters Laboratories.
	This symbol designates that this component is recognized by Underwriters Laboratories.
	This symbol designates that this tool is listed by Underwriters Laboratories, to United States and Canadian Standards.
	This symbol designates that this tool is listed by the Canadian Standards Association.
	This symbol designates that this tool is listed by the Canadian Standards Association, to United States and Canadian Standards.
	This symbol designates that this tool is listed by the Intertek Testing Services, to United States and Canadian Standards.

FUNCTIONAL DESCRIPTION AND SPECIFICATIONS

Drill Driver / Hammer Drill

Fig. 1



Model No.	FX1151 Drill Driver	FX1251 Hammer Drill
Rated Voltage	24 V d.c.	
Chuck capacity	1/2 in. (13 mm)	
No-load Speed	0-600 / 0-2200 /min (RPM)	
Impact Rate	N/A	0-9600 / 0-35200 /min (BPM)
Maximum torque	750 in.lbs	750 in.lbs
Clutch settings	22+ ◀▶▶	24+ ◀▶▶ + ▶
Recommended operating temperature	-4 – 104°F (-20 – 40°C)	
Recommended storage temperature	< 122°F (< 50°C)	

ASSEMBLY

⚠ WARNING Detach the battery pack from the tool before performing any assembly or adjustments, or changing accessories. Such preventive safety measures reduce the risk of starting the tool accidentally.

TO ATTACH/DETACH BATTERY PACK (FIG. 2)

Lock the variable-speed trigger switch “OFF” on the tool by placing the direction-of-rotation (forward/center-lock/reverse) selector in the center position before attaching or detaching the battery pack.

To attach the battery pack:

Align the raised rib on the battery pack with the grooves in the tool, and then slide the battery pack onto the tool.

NOTICE: When placing the battery pack onto the tool, be sure that the raised rib on the battery pack aligns with the groove inside the tool and that the latches snap into place properly. Improper attachment of the battery pack can cause damage to internal components.

To detach the battery pack:

Depress the battery-release button located on the front of the battery pack, to release the battery pack. Pull the battery pack out and remove it from the tool.

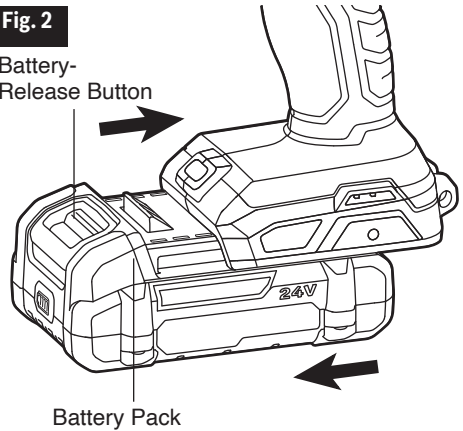
⚠ WARNING Battery tools are always in operating condition.

Therefore, the direction-of-rotation (forward/center-lock/reverse) selector should always be locked in the center position when the tool is not in use or while carrying the tool at your side.

⚠ WARNING Do not attempt to modify this tool or create accessories not recommended for use with this tool. Any such alteration or modification is misuse and could result in a hazardous condition leading to possible serious injury.

Fig. 2

Battery-Release Button



Battery Pack

INSTALL AND REMOVE BITS (FIG. 3, 4, AND 5)

⚠ WARNING Do not use the tool while grasping the chuck to loosen or tighten the chuck jaws on the bit. Friction burn or hand injury is possible if attempting to grasp the spinning chuck.

⚠ WARNING Do not use bits with damaged shanks.

Your tool is equipped with a keyless chuck to tighten or release bits in the chuck jaws. The arrows on the chuck indicate the direction in which to rotate the chuck body in order to tighten or release the chuck jaws on the bit.

To install the bit:

- Lock the variable-speed trigger switch "OFF" on the tool by placing the direction-of-rotation selector in the center position.
- Remove the battery pack and select the Drill Position. (Refer to chapter "FUNCTION-SELECTION RING AND TORQUE-ADJUSTMENT RING")
- Rotate the chuck body counterclockwise, as viewed from chuck end, to open the chuck to approximately the bit diameter.
- Insert a clean bit up to the drill-bit flutes for small bits, or as far as it will go for large bits (Fig. 3).
- Close the chuck by rotating the chuck body clockwise and securely tighten by hand (Fig. 4).

To remove the bit:

- Rotate the chuck body counterclockwise, as viewed from the chuck end, to open the chuck.
- Remove the bit.

⚠ WARNING Make sure to insert the drill bit straight into the chuck jaws. Do not insert the drill bit into the chuck jaws at an angle and then tighten the chuck as shown in Fig. 5. This could cause the drill bit to be thrown from the tool, resulting in possibly serious personal injury or damage to the chuck.

⚠ WARNING Use protective gloves when removing the bit from the tool, or first allow the bit to cool down. The bit may be hot after prolonged use.

Fig. 3

Keyless Chuck

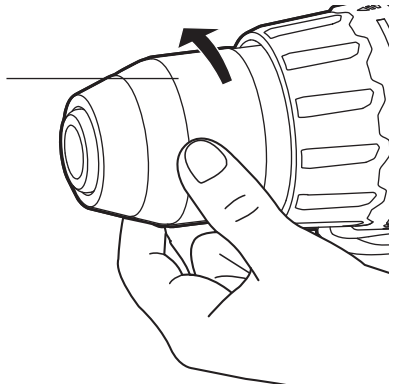


Fig. 4

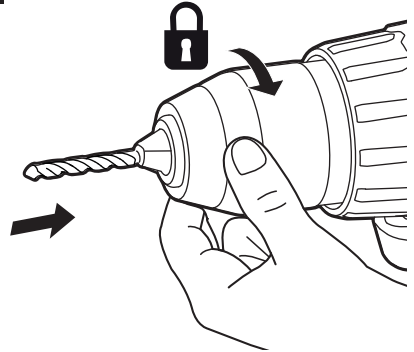
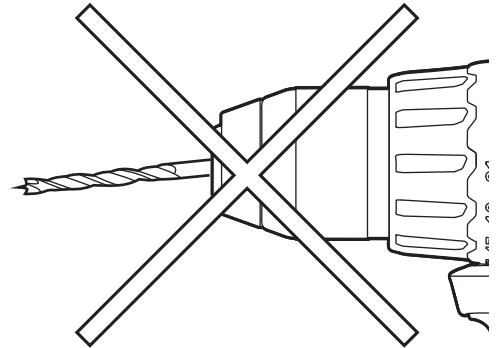


Fig. 5



REMOVABLE BELT CLIP (FIG. 6)

Your tool is equipped with a removable belt clip that can be positioned on the side of the tool for convenient transportation.

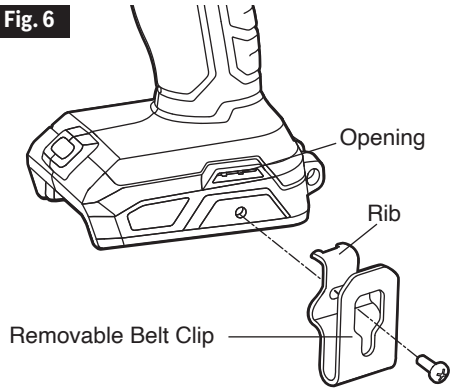
Install the belt clip onto the tool:

- Remove the battery pack from the tool.
- Align the rib and the hole of the belt clip with the opening and the threaded hole on the base of the tool, respectively.
- Insert the screw and securely tighten the screw with a screwdriver (not included).

Remove the belt clip from the tool:

- Remove the battery pack from the tool.
- Use a screwdriver to loosen the screw that attaches the belt clip to the impact wrench.
- Remove the screw and the belt clip.

Fig. 6



REMOVABLE BIT CLIP (FIG. 7)

Your tool is also equipped with a removable bit clip that can be positioned on the side of the tool for storing bits.

Install the bit clip onto the tool:

- Remove the battery pack from the tool.
- Align the hole of the bit clip with the threaded hole on the base of the tool.

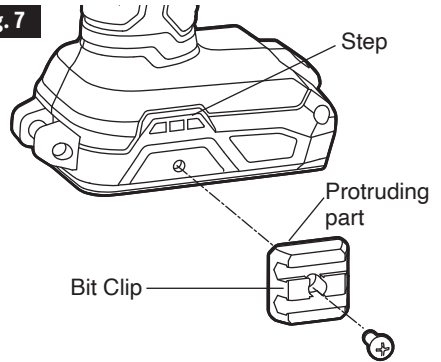
NOTICE: Ensure that the protruding part on the bit clip is kept flush against the step on the base of the tool to keep it steady.

- Insert the screw and securely tighten the screw with a screwdriver (not included).

Remove the bit clip from the tool:

- Remove the battery pack from the tool.

Fig. 7

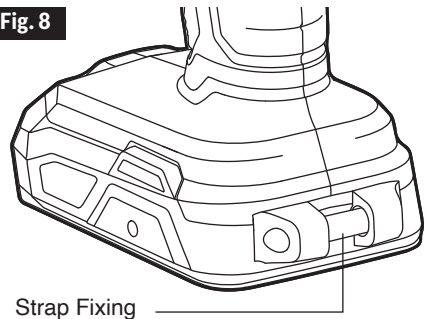


- Use a screwdriver to loosen the screw that attaches the bit clip to the impact wrench.
- Remove the screw and the bit clip.

ATTACHING A STRAP (FIG. 8)

Strap fixing is provided to attach a wrist strap (not included) in order to reduce the chances of dropping your tool. Strap the strip around your hand when carrying the tool.

Fig. 8



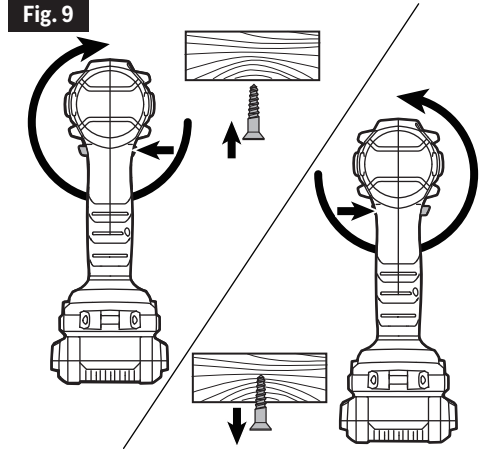
ADJUSTMENTS

DIRECTION-OF-ROTATION (FORWARD/ CENTER-LOCK/REVERSE) SELECTOR (FIG. 9)

⚠ WARNING After tool use, lock the direction-of-rotation selector in the “OFF” position (center-lock) to help prevent accidental starts and possible injury.

Your tool is equipped with a direction-of-rotation selector, located above the variable-speed trigger switch. This selector is used to change the direction of rotation of the bit and to lock the variable-speed trigger in the “OFF” (center-lock) position.

- Position the direction-of-rotation selector to the far left of the tool to drive screws in or drill holes (Fig. 9).
- Position the direction-of-rotation selector to the far right of the tool to remove screws (Fig. 9).
- Position the switch in the “OFF” (center-lock) position to help reduce the possibility of accidental starting when not in use.



NOTICE: To prevent gear damage, always allow the tool to come to a complete stop before changing the direction of rotation.

NOTICE: The tool will not run unless the direction-of-rotation selector is engaged fully to the left or to the right.

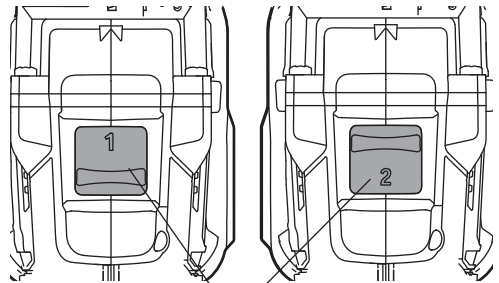
TWO-SPEED GEAR SHIFTER (FIG. 10)

Your tool is equipped with a two-speed gearbox designed for operating at two different gears. The shifter is located on the top of the tool and allows to switch between gears “1” and “2”.

- Gear “1” provides higher torque and slower speeds for heavy-duty work or for driving screws, drilling large diameter holes, or tapping threads. Use the mode “1” for starting holes without a center punch, drilling metals or plastic, drilling ceramics, or in applications requiring a higher torque.
- Gear “2” provides lower torque and faster speeds for hammer drilling (model FX1251 only) or lighter drilling work. The gear “2” speed is more suitable for drilling wood and wood composites and for using abrasive and polishing accessories.

NOTICE: To prevent gear damage, always allow the tool to come to a complete stop before changing gears.

Fig. 10



Two-Speed Gear Shifter

FUNCTION-SELECTION RING (MODEL FX1251 ONLY) AND TORQUE-ADJUSTMENT RING (FIG. 11 AND 12)

⚠ WARNING Do not adjust the torque or function-selection ring when the tool is running.

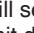
Your tool is equipped with a function-selection ring (Model FX1251 only) and torque-adjustment ring for various applications. Move the ring depending on the requirements of your task.

The proper setting depends on the job and the type of bit, fastener, and the material you will be working on. In general, use greater torque for larger screws. If the torque is too high, the screws may be damaged or broken.

Model FX1151 (Fig. 11):

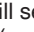
Your tool features 23 torque settings and 1 driving setting. Output torque will increase as the ring is rotated from 1 to 23.


Adjust the torque by rotating the torque-adjustment ring. The higher the torque setting, the more force the tool produces to turn an object.

The Drill setting  will lock the clutch to permit drilling and other heavy-duty applications.

Model FX1251 (See Fig. 12):

Your tool features 23 torque settings, 1 drilling setting and 1 hammer drilling setting. Output torque will increase as the ring is rotated from 1 to 24.

The Drill setting  will lock the clutch to permit (non-hammer) drilling and other heavy-duty applications.

The Hammer Drilling setting  will lock the clutch to permit hammer drilling only.

NOTICE: Do not use the hammer drilling setting for drilling in wood, metal, ceramic, and plastic to prevent the drill/screw bit from being damaged.

Fig. 11

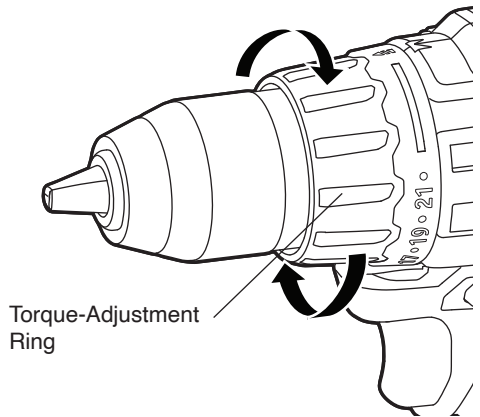
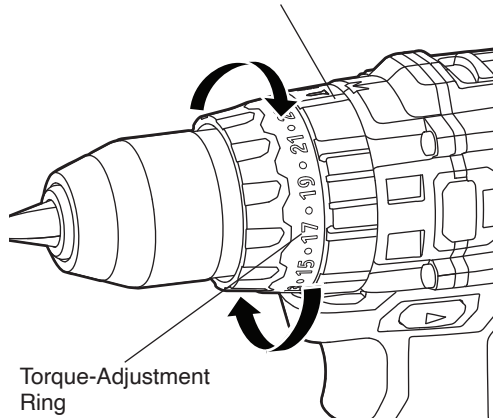


Fig. 12 Function-Selection Ring



LED LIGHT (FIG. 13)

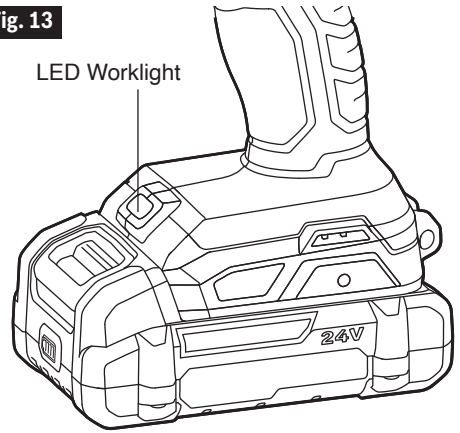
Your tool is equipped with an LED light, located on the base of the tool. This provides additional light on the surface of the work piece for operation in lower-light areas.

The LED light will automatically turn on with a slight squeeze on the variable-speed trigger switch before the tool starts running, and will turn off approximately 10 seconds after the variable-speed trigger switch is released.

The LED light will rapidly flash when the tool and/or battery pack becomes overloaded or too hot, and the internal sensors will turn the tool off. Rest the tool for a while or place the tool and battery pack separately under air flow to cool them.

The LED light will flash more slowly to indicate that the battery is at low-battery capacity. Recharge the battery pack.

Fig. 13



OPERATING INSTRUCTIONS

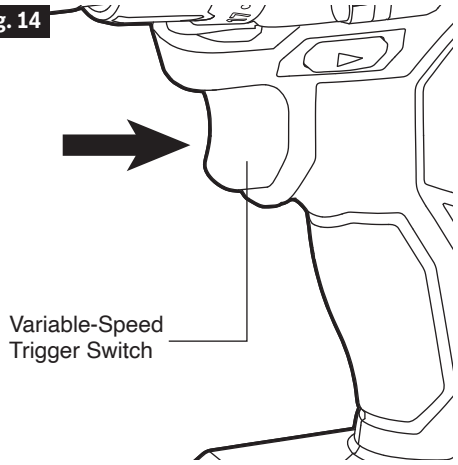
⚠ WARNING To reduce the risk of fire, personal injury, and product damage due to a short circuit, never immerse your tool, battery pack or charger in fluid or allow a fluid to flow inside them. Corrosive or conductive fluids, such as seawater, certain industrial chemicals, and bleach or bleach-containing products, etc. can cause a short circuit.

VARIABLE-SPEED TRIGGER SWITCH (FIG. 14)

Your tool is equipped with a variable-speed trigger switch. The tool can be turned “ON” or “OFF” by depressing or releasing the variable-speed trigger switch.

The variable-speed trigger switch delivers higher speed with increased trigger pressure and lower speed with decreased trigger pressure.

Fig. 14



⚠ WARNING If any parts are damaged or missing, do not operate this product until the parts are replaced. Use of this product with damaged or missing parts could result in serious personal injury.

⚠ WARNING To prevent accidental starting that could cause serious personal injury, always remove the battery pack from the tool when assembling parts.

This Drill Driver/ Hammer Drill must be used only with the battery packs and chargers listed below:

Battery Pack				Charger	
2.5Ah	5Ah	8Ah	12Ah		
FLEX FX0111	FLEX FX0121	FLEX FX0221	FLEX FX0231	FLEX FX0411	FLEX FX0421

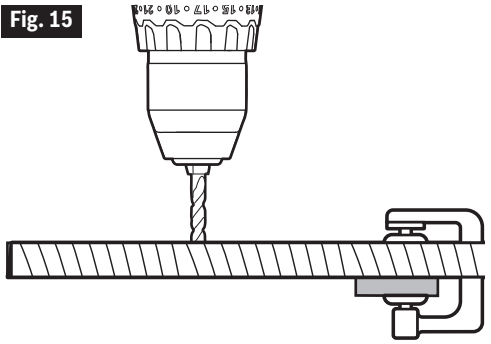
NOTICE: Please refer to the battery pack and charger manuals for detailed operating information.

DRILLING (FIG. 15)

⚠ WARNING Always wear safety goggles or safety glasses with side shields during power tool operation or when blowing dust. If operation is dusty, also wear a dust mask.

- Check that the direction-of-rotation selector is at the correct setting (forward or reverse).
- Secure the material to be drilled in a vise or with clamps to keep it from turning as the drill bit rotates.
- Hold the drill firmly and place the bit at the point to be drilled.
- Depress the variable-speed trigger switch to start the drill.
- Move the drill bit into the workpiece, applying only enough pressure to keep the bit “biting”. Do not force the drill or apply side pressure to elongate a hole. Let the tool do the work.
- When drilling hard, smooth surfaces, use a center punch to mark the desired location of the hole. This will prevent the drill bit from slipping off-center as the hole is started.
- When drilling metals, use light oil on the drill bit to keep it from overheating. The oil will prolong the life of the bit and increase the drilling efficiency.

Fig. 15



- If the bit jams in the workpiece or if the drill stalls, stop the tool immediately. Remove the bit from the workpiece and determine the reason for jamming.

There are two rules for drilling hard materials. First, the harder the material, the greater the pressure you need to apply to the tool. Second, the harder the material, the slower the speed should be. If the hole to be drilled is large, drill a smaller hole first, and then enlarge to the required size with a larger bit; it's often faster in the long run.

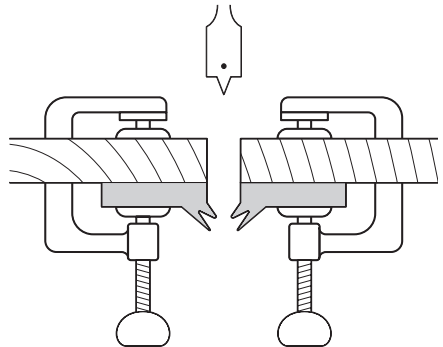
DRILLING WOOD (FIG. 16)

For maximum performance, use high-speed steel or brad-point bits for wood drilling.

- Begin drilling at a very low speed to prevent the bit from slipping off the starting point.
- Increase speed as the drill bit bites into the material.
- When drilling “through” holes, secure a block of wood behind the workpiece to prevent ragged or splintered edges on the back side of the workpiece.

NOTICE: Bits may overheat unless reversed and pulled out frequently to clear chips from flutes.

Fig. 16



DRILLING METAL

For maximum performance, use high-speed steel bits for metal or steel drilling.

- When drilling metals, use light oil on the drill bit to keep it from overheating. The oil will prolong the life of the bit and increase the drilling efficiency.
- Begin drilling at a very low speed to prevent the bit from slipping off the starting point.

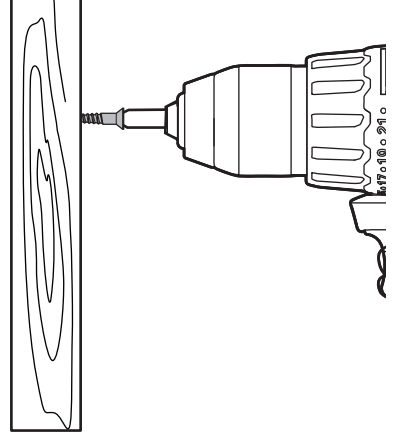
- Maintain a speed and a pressure that allow cutting without overheating the bit. Applying too much pressure will:
 - Overheat the Drill.
 - Wear the bearings.
 - Bend or burn bits.
 - Produce off-center or irregularly shaped holes.

DRIVING SCREWS (FIG. 17)

Try to use standard-type screws for easy driving and improved grip.

- Install the correct driver bit.
- Ensure that the torque-adjustment ring is set to the most suitable setting. If in doubt, start with a low setting and gradually increase the setting as necessary. Do not change the torque setting when the tool is running.
- Use the correct gear ("1" or "2") for the job and initially apply minimal pressure to the variable speed trigger switch. Increase the speed only when full control can be maintained.
- It is advisable to drill a pilot hole first. This hole should be slightly longer than the screw to be driven and just smaller than the shank diameter of the screw. The pilot hole will act as a guide for the screw and will also make tightening the screw less difficult. When screws are positioned close to an edge of the material, a pilot hole will also help to prevent splitting of the wood.
- Use a countersinking bit (sold separately) to accommodate the screw head so that it does not protrude from the surface.

Fig. 17



- Keep sufficient pressure on the drill to prevent the bit turning out of the screw head. The screw head can easily become damaged, making it difficult to drive home or remove.
- To stop the drill/driver, release the trigger switch and allow the tool to come to a complete stop.

DRILLING MASONRY (FX1251 ONLY) (FIG. 18)

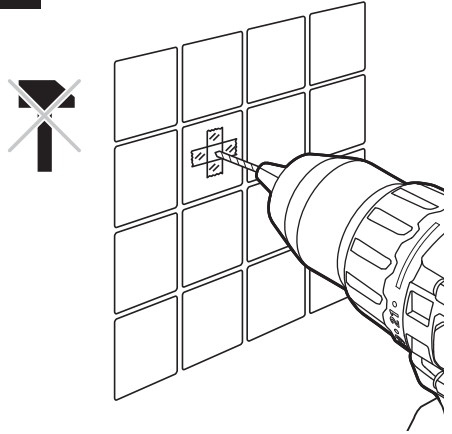
For maximum performance, use carbide-tipped masonry bits when drilling holes in brick, tile, concrete, etc.

- Maintain the speed and a pressure that allow drilling without overheating the bit or drill.

Applying too much pressure will:

- Overheat the drill.
 - Wear the bearings.
 - Bend or burn bits.
 - Produce off-center or irregular-shaped holes.
- Apply light pressure and medium speed for best results in brick.
 - Apply additional pressure for hard materials such as concrete.
 - When drilling holes in tile, practice on a scrap piece to determine the best speed and pressure. To prevent the drill bit from skidding/sliding, first apply two pieces of masking tape to create an "X" shape over the intended drilling spot (Fig. 18).
 - Begin drilling at a very low speed to prevent the bit from slipping off the starting point.

Fig. 18



MAINTENANCE

⚠ WARNING To avoid serious personal injury, always remove the battery pack from the tool when cleaning or performing any maintenance.

SERVICE

⚠ WARNING Preventive maintenance performed by unauthorized personnel may result in misplacing of internal wires and components which could cause a serious hazard. We recommend that all tool service be performed by a FLEX Factory Service Center or Authorized FLEX Service Station.

GENERAL MAINTENANCE

⚠ WARNING When servicing, use only identical replacement parts. Use of any other parts could create a hazard or cause product damage. Periodically inspect the entire product for damaged, missing, or loose parts such as screws, nuts, bolts, caps, etc. Tighten securely all fasteners and caps and

do not operate this product until all missing or damaged parts are replaced. Please contact customer service or an authorized service center for assistance.

CLEANING

The tool may be cleaned most effectively with compressed dry air. Always wear safety goggles when cleaning tools with compressed air. Ventilation openings and switch levers must be kept clean and free of foreign matter. Do not attempt to clean by inserting pointed objects through openings.

⚠ WARNING Certain cleaning agents and solvents damage plastic parts. Some of these are: gasoline, carbon tetrachloride, chlorinated cleaning solvents, ammonia and household detergents that contain ammonia.

STORAGE

Store the tool indoors in a place that is inaccessible to children. Keep away from corrosive agents.

ACCESSORIES

⚠ WARNING The use of any other accessories not specified in this manual may create a hazard.

Auxiliary Handle

Removable Bit Holder / Bit Clip

Removable Belt Clip

FLEX 5 YEAR LIMITED WARRANTY

Chervon North America, Inc. ("Seller") warrants to the original purchaser only, that all FLEX 24V products will be free from defects in material or workmanship for a period of five years from date of purchase when the original purchaser registers the product within 30 days from the date of original retail purchase and retains their receipt as proof of purchase. THE 5-YEAR LIMITED WARRANTY PERIOD IS CONDITIONED ON REGISTRATION OF THE PRODUCT WITHIN 30 DAYS OF PURCHASE AND ONLY APPLICABLE TO FLEX 24V TOOLS, BATTERIES AND CHARGERS. If the original purchaser does not register their product within 30 days, the foregoing limited warranty will apply for a duration of three years. Product registration can be completed online at www.registermyflex.com.

24V Tools: 5-Year Limited Warranty with Registration

24V Batteries and Chargers: 5-Year Limited Warranty with Registration

Corded, 12V and 20V FLEX Legacy Products: 1-Year Limited Warranty, No Registration Benefit

Accessories and Attachments: No Warranty

SELLER'S SOLE OBLIGATION AND YOUR EXCLUSIVE REMEDY under this 5-Year Limited Warranty and, to the extent permitted by law, any warranty or condition implied by law, shall be the repair or replacement of parts, without charge, which are defective in material or workmanship and which have not been misused, carelessly handled, or repaired by persons other than a FLEX Authorized Service Dealer. This warranty does not cover part failure due to normal wear and tear. To make a claim under warranty, return the complete product, transportation prepaid, to any FLEX Authorized Service Dealer. For Authorized FLEX Service Dealers, please visit www.registermyflex.com or call 1-833-FLEX-496 (1-833-353-9496).

This 5-Year Limited Warranty does not apply to accessories, attachments or parts.

Any implied warranties applicable to a product shall be limited in duration equal to the duration of the express warranties applicable to such product, as set forth in the first paragraph above. Some states in the U.S. and some Canadian provinces do not allow limitations on how long an implied warranty lasts, so the above limitation may not apply.

FLEX is not responsible for direct, indirect, incidental or consequential damages. Some U.S. states and Canadian provinces do not allow limitations on how long an implied warranty lasts and/or do not allow the exclusion or limitation of incidental or consequential damages, so the above limitations or exclusions may not apply. This limited warranty gives you specific legal rights, and you may also have other rights which vary by state in the U.S. and by province in Canada.

This limited warranty applies only to products sold within the United States of America, Canada and the commonwealth of Puerto Rico. For warranty coverage within other countries, contact your local FLEX dealer.

© Chervon North America, 1203 E. Warrenville Rd., Naperville, IL 60563

www.flexpowertools.com





www.registermyflex.com

1-833-FLEX-496 (1-833-353-9496)

SYMBOLES RELATIFS À LA SÉCURITÉ

La raison d'être des symboles relatifs à la sécurité est d'attirer votre attention sur des dangers possibles. Il est important de vous familiariser avec les symboles relatifs à la sécurité et les explications qui les accompagnent afin de bien les comprendre. Les avertissements et les symboles associés ne suffisent pas à éliminer tous les dangers. Les instructions et les avertissements qu'ils donnent ne sauraient remplacer des mesures de prévention des accidents appropriées.

⚠ AVERTISSEMENT Lisez toutes les consignes de sécurité qui sont contenues dans ce Mode d'emploi, y compris tous les symboles d'alerte relatifs à la sécurité tels que « **DANGER** », « **AVERTISSEMENT** » et « **MISE EN GARDE** », et assurez-vous que vous les comprenez bien avant de commencer à utiliser cet outil. La non-observation de toutes les instructions figurant ci-après pourrait causer un choc électrique, un incendie et/ou des blessures personnelles graves.

Les définitions ci-dessous décrivent le niveau de gravité pour chaque terme signalant un danger. Veuillez lire le mode d'emploi et lire la signification de ces symboles.	
	C'est le symbole d'alerte relatif à la sécurité. Il est utilisé pour vous avertir de l'existence possible d'un danger de lésion corporelle. Obéissez à tous les messages relatifs à la sécurité qui suivent ce symbole pour éviter tout risque de blessure ou même de mort.
	DANGER indique une situation dangereuse qui, si elle n'est pas évitée, causera la mort d'une personne ou une blessure grave.
	AVERTISSEMENT indique une situation dangereuse qui, si elle n'est pas évitée, causera la mort d'une personne ou une blessure grave.
	MISE EN GARDE, conjointement avec le symbole d'alerte en liaison avec la sécurité, indique une situation dangereuse qui, si elle n'est pas évitée, causera une blessure légère ou modérée.

Messages d'information et de prévention des dommages

Ils informent l'utilisateur d'informations et/ou d'instructions importantes qui pourraient entraîner des dommages matériels ou aux équipements s'ils ne sont pas suivis. Chaque message est précédé par le terme « AVIS », comme dans l'exemple ci-dessous :

AVIS : Un dommage matériel et/ou aux équipements peut survenir si ces instructions ne sont pas suivies.



⚠ AVERTISSEMENT Pendant leur fonctionnement, les outils électriques peuvent projeter des corps étrangers dans les yeux de leur utilisateur et lui infliger de graves blessures aux yeux. Portez toujours des lunettes de protection ou des lunettes de sécurité à écrans latéraux et un masque couvrant tout le visage lors de l'utilisation de ce produit. Nous recommandons de porter un masque de sécurité à vision latérale large au-dessus des lunettes ordinaires ou des lunettes de sécurité standard avec des écrans de protection sur les côtés. Utilisez toujours un équipement de protection des yeux indiquant qu'il est conforme à la norme ANSI Z87.1.

AVERTISSEMENTS GÉNÉRAUX RELATIFS À LA SÉCURITÉ POUR LES OUTILS ÉLECTRIQUES

⚠ AVERTISSEMENT Lisez tous les avertissements relatifs à la sécurité, les instructions, les illustrations et les spécifications fournies avec cet outil électrique. Le non-respect de toutes les instructions figurant ci-après pourrait causer un choc électrique, un incendie et/ou des blessures graves.

CONSERVEZ TOUS LES AVERTISSEMENTS ET TOUTES LES INSTRUCTIONS POUR RÉFÉRENCE FUTURE.

Le terme « outil électrique » dans les avertissements fait référence à votre outil électrique à cordon électrique branché dans une prise secteur ou à votre outil électrique à piles (sans fil).

Sécurité de la zone de travail

Gardez votre zone de travail propre et bien éclairée. Des zones encombrées ou sombres sont propices aux accidents.

N'utilisez pas des outils électriques dans une atmosphère explosive, par exemple en présence de liquides, de gaz ou de poussières inflammables. Les outils électriques produisent des étincelles qui risquent de mettre feu aux poussières ou aux émanations de fumée.

Gardez les enfants et autres personnes présentes à une distance suffisante lorsque vous utilisez un outil électrique. Des distractions risqueraient de vous faire perdre le contrôle.

Sécurité électrique

La fiche de l'outil électrique doit correspondre à la prise de courant. Ne modifiez jamais une fiche de quelque façon que ce soit. N'utilisez pas d'adaptateurs de fiches avec des outils électriques mis à la terre/à la masse. L'emploi de fiches non modifiées et de prises de courant correspondant naturellement aux fiches réduira le risque de choc électrique.

Évitez tout contact de votre corps avec des surfaces mises à la terre ou à la masse telles que des surfaces de tuyaux, de radiateurs, de cuisinières et de réfrigérateurs. Il existe un risque accru de choc électrique si votre corps est en contact avec la terre ou la masse.

N'exposez pas d'outils électriques à la pluie ou à un environnement humide. La pénétration d'eau dans un outil électrique augmentera le risque de choc électrique.

N'utilisez pas le cordon de façon abusive. N'utilisez pas le cordon pour porter, tirer ou débrancher l'outil électrique. Tenez le cordon à distance de toute source de chaleur, d'huile, de bords tranchants ou de pièces mobiles. Des cordons endommagés ou entortillés augmentent le risque de choc électrique.

Lorsque vous utilisez un outil électrique à l'extérieur, employez un cordon de rallonge approprié pour un emploi à l'extérieur. L'utilisation d'un cordon approprié pour une utilisation à l'extérieur réduit le risque de choc électrique.

S'il est inévitable d'utiliser un outil électrique dans un environnement humide, utilisez une alimentation protégée par un disjoncteur de circuit de fuite à la terre. L'utilisation d'un tel circuit réduit le risque de choc électrique.

Sécurité personnelle

Faites preuve de vigilance et de bon sens, et observez attentivement ce que vous faites lorsque vous utilisez un outil électrique. N'utilisez pas un outil électrique si vous êtes fatigué(e) ou sous l'influence de drogues, d'alcool ou de médicaments. Un simple moment d'inattention pendant que vous utilisez un outil électrique pourrait causer une blessure grave.

Utilisez des équipements de protection personnelle. Portez toujours des équipements de protection des yeux. Des équipements de protection tels qu'un masque de protection contre la poussière, des chaussures de sécurité antidérapantes, un casque ou un dispositif de protection de l'ouïe utilisés en fonction des conditions réduiront le nombre des blessures.

Prévenez une mise en marche accidentelle. Assurez-vous que l'interrupteur est dans la position d'arrêt (OFF) avant de connecter l'appareil à une source d'alimentation et/ou à un bloc-piles, de le soulever ou de le transporter. Le fait de transporter des outils électriques avec le doigt sur l'interrupteur ou de mettre sous tension des outils électriques avec l'interrupteur en position de marche invite les accidents.

Retirez toute clé de réglage pouvant être attachée à l'outil avant de mettre l'outil électrique sous tension. Une clé laissée attachée à une pièce en rotation de l'outil électrique pourrait causer une blessure.

Ne faites rien qui risquerait de vous faire perdre l'équilibre. Veillez à toujours garder un bon équilibre et un appui stable. Ceci permet de mieux contrôler l'outil électrique dans des situations inattendues.

Portez des vêtements appropriés. Ne portez pas de bijoux ou de vêtements amples. Gardez vos cheveux et vos vêtements à une distance suffisante des pièces mobiles. Les vêtements amples, bijoux ou cheveux longs pourraient être attrapés par des pièces mobiles.

Si des dispositifs sont fournis pour le raccordement d'accessoires d'extraction et de collecte de la poussière, assurez-vous qu'ils sont connectés et utilisés de façon appropriée. L'emploi correct de l'accessoire de collecte de la poussière peut réduire les dangers associés à la poussière.

Ne laissez pas la familiarité résultant de l'utilisation fréquente des outils vous inciter à devenir complaisant(e) et à ignorer les principes de sécurité des outils. Une action négligente pourrait causer des blessures graves en une fraction de seconde.

Utilisation et entretien de l'outil électrique

N'imposez pas de contraintes excessives à l'outil électrique. Utilisez l'outil électrique approprié pour votre application. L'outil électrique correct fera le travail plus efficacement et avec plus de sécurité à la vitesse à laquelle il a été conçu pour fonctionner.

N'utilisez pas l'outil électrique si l'interrupteur de marche/arrêt ne permet pas de le mettre sous tension/hors tension. Tout outil électrique qui ne peut pas être contrôlé

par son interrupteur est dangereux et doit être réparé.

Débranchez la fiche de la prise secteur et/ou retirez le bloc-piles de l'outil électrique (s'il est amovible) avant d'y apporter de quelconques modifications, de changer d'accessoire ou de ranger l'outil électrique. De telles mesures de sécurité préventives réduisent le risque de déclenchement accidentel de l'outil électrique.

Rangez les outils électriques qui ne sont pas utilisés activement hors de portée des enfants, et ne laissez aucune personne n'ayant pas lu ces instructions et ne sachant pas comment utiliser un tel outil se servir de cet outil. Les outils électriques sont dangereux quand ils sont entre les mains d'utilisateurs n'ayant pas reçu la formation nécessaire à leur utilisation.

Entretenez de façon appropriée les outils électriques et les accessoires. Assurez-vous que les pièces en mouvement sont bien alignées et qu'elles ne se coincent pas, qu'il n'y a pas de pièces cassées ou qu'il n'existe aucune situation pouvant affecter le fonctionnement de l'outil électrique. Si l'outil électrique est endommagé, faites-le réparer avant de vous en servir à nouveau. De nombreux accidents sont causés par des outils électriques mal entretenus.

Gardez les outils de coupe tranchants et propres. Des outils de coupe entretenus de façon adéquate avec des bords de coupe tranchants sont moins susceptibles de se coincer et sont plus faciles à contrôler.

Utilisez l'outil électrique, les accessoires, les mèches de perçage, etc. conformément à ces instructions, en tenant compte des conditions de travail et de la tâche à accomplir. L'utilisation de l'outil électrique pour des opérations différentes de celles pour lesquelles il est conçu pourrait causer une situation dangereuse.

Gardez les poignées et les surfaces de préhension propres, sèches et exemptes de toute trace d'huile ou de graisse. Les poignées et les surfaces de préhension glissantes ne permettent pas une manipulation et un contrôle sûrs de l'outil dans des situations inattendues.

Utilisation et entretien de l'outil électrique à pile

Ne rechargez l'outil qu'avec le chargeur indiqué par le fabricant. Un chargeur qui est approprié pour un type de bloc-piles pourrait créer un risque d'incendie quand il est utilisé avec un autre bloc-piles.

Utilisez votre outil exclusivement avec des blocs-piles conçus spécifiquement pour celui-ci. L'emploi de tout autre bloc-piles risquerait de causer des blessures et un incendie.

Lorsque le bloc-piles n'est pas utilisé, gardez-le à une distance suffisante des autres objets en métal, comme des trombones, pièces de monnaie, clés, clous, vis ou autres petits objets en métal qui pourraient faire une connexion entre une borne et une autre. Le court-circuitage des bornes d'une pile pourrait causer des brûlures ou un incendie.

Dans des conditions d'utilisation abusives, du liquide pourrait être éjecté de la pile; évitez tout contact. En cas de contact accidentel, lavez avec de l'eau. En cas de contact de liquide avec les yeux, consultez un professionnel de santé. Tout liquide éjecté d'une pile peut causer de l'irritation ou des brûlures.

N'utilisez pas un bloc-piles ou un outil qui est endommagé ou a été modifié. Des piles endommagées ou modifiées peuvent se comporter de façon imprévisible et causer un incendie, une explosion ou des blessures.

N'exposez pas un bloc-piles ou un outil à un feu ou à une température excessive. L'exposition à un feu ou à une température supérieure à 130° C / 265° F pourrait causer une explosion.

Suivez toutes les instructions relatives à la charge et ne chargez pas le bloc-piles ou l'outil en dehors de la plage de température indiquée dans les instructions. Une charge dans des conditions appropriées ou à des températures en dehors de la plage spécifiée pourrait endommager la pile et augmenter le risque d'incendie.

Service après-vente

Faites entretenir votre outil électrique par un réparateur compétent n'utilisant que des pièces de rechange identiques. Ceci assurera le maintien de la sécurité de l'outil électrique.

Ne tentez jamais de réparer des blocs-piles endommagés. La réparation de blocs-piles ne doit être effectuée que par le fabricant ou un prestataire de services agréé.

AVERTISSEMENTS RELATIFS À LA SÉCURITÉ POUR LA PERCEUSE-VISSEUSE

- **Tenez l'outil électrique par ses surfaces de préhension isolées lorsque vous effectuez une opération dans le cadre de laquelle l'élément de fixation peut entrer en contact avec un fil électrique caché.** Les éléments de fixation entrant en contact avec un fil électrique sous tension pourraient rendre conductrices les parties en métal exposées de l'outil électrique et donner un choc électrique à l'opérateur.
- **Utilisez des poignées auxiliaires si elles ont été fournies avec l'outil.** La perte de contrôle peut causer des blessures.
- **Sécurisez l'ouvrage.** Des dispositifs de fixation ou un étau tiendront mieux l'ouvrage en place, et de façon plus sécurisée, que si vous le tenez à la main.
- **Il ne faut pas percer ou découper des murs existants ou d'autres surfaces sans visibilité, ou y travailler de toute autre façon, s'il peut y exister des fils électriques.** Si une telle opération est réellement nécessaire, déconnectez tous les fusibles ou disjoncteurs des circuits conduisant à cet ouvrage.
- **Positionnez-vous de manière à ne pas risquer d'être attrapé(e) entre l'outil et des murs ou des poteaux.** Si la mèche se coinçait ou se bloquait dans l'ouvrage, le couple de réaction de l'outil pourrait écraser votre main ou votre jambe.

- **Attendez toujours que l'outil se soit arrêté complètement avant de le déposer.** L'élément amovible de l'outil pourrait se coincer et causer une perte de contrôle de l'outil électrique.
- **Lorsque vous travaillez avec l'outil**

électrique, tenez-le toujours fermement des deux mains et tenez-vous bien en équilibre sur vos deux pieds. L'outil électrique est guidé de façon plus sécurisée avec les deux mains.

AVERTISSEMENTS RELATIFS À LA SÉCURITÉ POUR LA PERCEUSE-VISSEUSE / LE MARTEAU PERFORATEUR

- **Portez des protège-oreilles à titre de précaution contre le bruit du perçage à percussion.** L'exposition au bruit peut causer une perte auditive.
- **Tenez l'outil électrique par ses surfaces de préhension isolées lorsque vous effectuez une opération dans le cadre de laquelle l'outil de coupe pourrait entrer en contact avec un fil caché.** Les outils de coupe entrant en contact avec un fil électrique sous tension pourraient rendre conductrices les parties en métal exposées de l'outil électrique et donner un choc électrique à l'opérateur.
- **Utilisez des poignées auxiliaires si elles ont été fournies avec l'outil.** La perte de contrôle peut causer des blessures.
- **Sécurisez l'ouvrage.** Des dispositifs de fixation ou un étau tiendront mieux l'ouvrage en place, et de façon plus sécurisée, que si vous le tenez à la main.
- **Il ne faut pas percer ou découper des murs existants ou d'autres surfaces sans visibilité, ou y travailler de toute autre façon, s'il peut y exister des fils électriques. Si une telle opération est réellement nécessaire, déconnectez tous les fusibles ou disjoncteurs des circuits conduisant à cet ouvrage.**
- **Positionnez-vous de manière à ne pas risquer d'être attrapé(e) entre l'outil et des murs ou des poteaux.** Si la mèche se coinçait ou se bloquait dans l'ouvrage, le couple de réaction de l'outil pourrait écraser votre main ou votre jambe.

Consignes de sécurité lorsque vous utilisez de longues mèches de perçage :

- Ne travaillez jamais à une vitesse plus élevée que la vitesse nominale maximum de la mèche de perçage. À des vitesses plus élevées, il est probable que la mèche se tordra si vous

la laissez tourner librement sans contact avec l'ouvrage, ce qui causerait des blessures.

- Commencez toujours à percer à basse vitesse et avec la pointe de la mèche en contact avec l'ouvrage.
- À des vitesses plus élevées, il est probable que la mèche se tordra si vous la laissez tourner librement sans contact avec l'ouvrage, ce qui causerait des blessures.
- Faites seulement pression en ligne directe avec la mèche et n'exercez pas une pression excessive. Les mèches pourraient se courber et causer une rupture ou une perte de contrôle de l'outil, ce qui causerait des blessures.

⚠ AVERTISSEMENT

- Des travaux de ponçage, de sciage, de meulage et de perçage réalisés avec un outil électrique et d'autres travaux de construction peuvent produire des poussières qui, selon l'État de Californie, contiennent des produits chimiques qui sont des causes reconnues de cancer, de malformation congénitale ou d'autres problèmes reproductifs. Ces produits chimiques sont, par exemple :
 - du plomb provenant de peinture au plomb,
 - des cristaux de silices provenant des briques et du ciment, et d'autres produits de maçonnerie, et
 - de l'arsenic et du chrome provenant de bois de construction traité par des produits chimiques.
- Le niveau de risque causé par de telles expositions varie en fonction de la fréquence de ces types de travaux. Pour réduire votre exposition à ces produits chimiques :
 - Travaillez toujours dans un endroit bien ventilé.
 - Portez un équipement de sécurité approprié tel que certains masques conçus spécialement









pour filtrer les particules microscopiques.





- Évitez tout contact prolongé avec la poussière produite par le ponçage, le sciage, le meulage, le perçage et d'autres activités de construction avec des outils électriques. Portez des vêtements de protection et lavez les surfaces

de la peau ayant été exposées avec de l'eau et du savon. Si vous laissez de la poussière pénétrer dans votre bouche ou dans vos yeux, ou rester sur votre peau, cela risquerait de promouvoir l'absorption de produits chimiques toxiques.







SYMBOLES

IMPORTANT : Les symboles suivants peuvent figurer sur votre outil. Familiarisez-vous avec eux et apprenez leur signification. En comprenant ces symboles, vous serez en mesure de faire fonctionner cet outil de façon adéquate et sécuritaire.

Symbole	Nom	Forme au long et explication
V	Volts	Tension
A	Ampères	Courant
Hz	Hertz	Fréquence (cycles par seconde)
W	Watt	Puissance
kg	Kilogrammes	Poids
min	Minutes	Durée
s	Secondes	Durée
Wh	Watheures	Capacité de la pile
Ah	Ampères-heures	Capacité de la pile
Ø	Diamètre	Taille des forets, des meules, etc.
n_0	Vitesse à vide	Vitesse de rotation à vide
n	Vitesse nominale	Vitesse maximale atteignable
.../min	Nombre de tours ou mouvements de va-et-vient par minute (tr/min)	Tours, coups, vitesse périphérique, orbites, etc., par minute
O	Position d'arrêt	Vitesse nulle, couple nul...
1,2,3,... I,II,III,	Réglages du sélecteur	Réglages de la vitesse, du couple ou de la position. Plus le nombre est élevé, plus la vitesse est grande.
	Sélecteur à réglage continu avec mode d'arrêt	La vitesse augmente à partir du réglage 0
	Flèche	L'activation se fait dans le sens de la flèche
	Courant alternatif (c.a.)	Type de courant ou caractéristique de courant
	Courant continu (c.c.)	Type de courant ou caractéristique de courant
	Courant alternatif ou continu (c.a./c.c.)	Type de courant ou caractéristique de courant
	Outil de classe II	Désigne les outils de construction à double isolation
	Mise à la terre de protection	Borne de mise à la terre
	Label du programme de recyclage des piles au lithium-ion de la RBRC	Désigne le programme de recyclage des piles au lithium-ion

Symbole	Nom	Forme au long et explication
	Lisez les instructions	Invite l'utilisateur à lire le manuel
	Symbole du port de lunettes de sécurité	Alerte l'utilisateur pour lui demander de porter une protection des yeux.
	Utilisez toujours les deux mains	Alerte l'utilisateur pour lui demander de toujours tenir l'outil avec les deux mains
	N'utilisez pas le dispositif de protection pour les opérations de tronçonnage	Alerte l'utilisateur pour lui demander de ne pas utiliser le dispositif de protection pour les opérations de tronçonnage

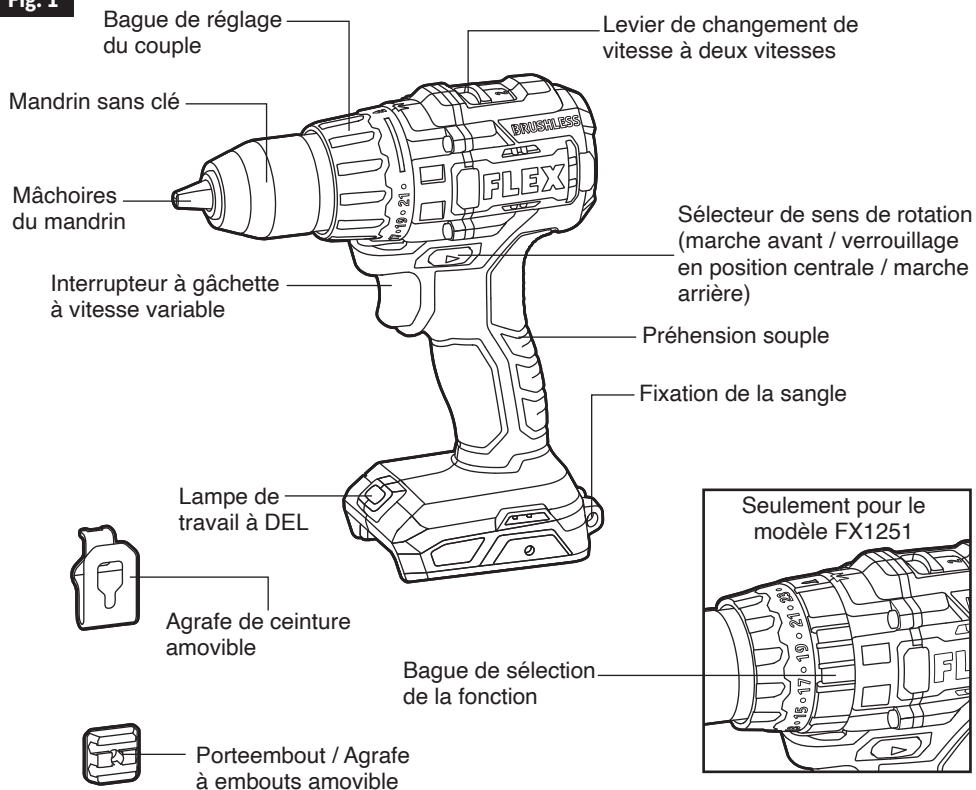
SYMBOLES (RENSEIGNEMENTS EN MATIÈRE D'HOMOLOGATION)

Symbole	Forme au long et explication
	Ce symbole indique que cet outil est répertorié par Underwriters Laboratories.
	Ce symbole indique que cet outil est reconnu par Underwriters Laboratories.
	Ce symbole indique que cet outil est répertorié par Underwriters Laboratories et qu'il est conforme aux normes américaines et canadiennes.
	Ce symbole indique que cet outil est répertorié par l'Association canadienne de normalisation.
	Ce symbole indique que cet outil est répertorié par l'Association canadienne de normalisation et qu'il est conforme aux normes américaines et canadiennes.
	Ce symbole indique que cet outil est répertorié par Intertek Testing et qu'il est conforme aux normes américaines et canadiennes.

DESCRIPTION FONCTIONNELLE ET SPÉCIFICATIONS

Perceuse-visseuse / Marteau perforateur

Fig. 1



Modèle n°	Perceuse-visseuse FX1151	Marteau perforateur FX1251
Tension nominale	24 V c.c.	
Capacité du mandrin	13 mm / 1/2 po	
Vitesse à vide	0-600 / 0-2200 /min (B/min)	
Taux d'impact	N/A	0-9600 / 0-35200 /min (BPM)
Couple maximum	750 po-lb	750 po-lb
Paramètres de réglage du mandrin	22+ ◀▶▶	24+ ◀▶▶ ▶
Température d'utilisation recommandée	-20 – 40° C / -4 – 104° F	
Température de stockage recommandée	< 50° C / < 122° F	

ASSEMBLAGE

⚠ AVERTISSEMENT Détachez le bloc-piles de l'outil avant de réaliser un quelconque montage ou réglage, ou de remplacer un accessoire. De telles mesures de sécurité préventive réduisent le risque de déclenchement accidentel de l'outil.

ATTACHEMENT / DÉTACHEMENT DU BLOC-PILES (FIG. 2)

Verrouillez l'interrupteur à gâchette à vitesse variable en position d'arrêt en plaçant le sélecteur de sens de rotation (marche avant / verrouillage en position centrale / marche arrière) dans sa position centrale avant d'attacher ou de détacher le bloc-piles.

Comment attacher le bloc-piles :

Alignez les nervures surélevées du bloc-piles sur les rainures dans l'outil, puis faites glisser le bloc-piles sur l'outil.

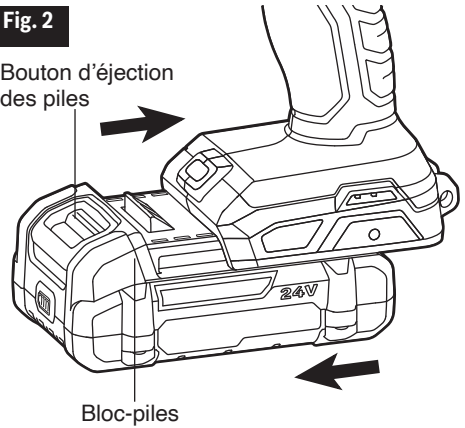
AVIS : Lorsque vous placez le bloc-piles sur l'outil, assurez-vous que la nervure surélevée sur le bloc-piles est alignée sur la rainure à l'intérieur de l'outil et que les loquets de verrouillage se mettent en place correctement. Un attachement incorrect du bloc-piles peut causer des dommages à des composants internes.

Comment détacher le bloc-piles :

Appuyez sur le bouton d'éjection du bloc-piles qui est situé à l'avant du bloc-piles pour éjecter le bloc-piles. Tirez sur le bloc-piles pour le faire sortir et le détacher de l'outil.

Fig. 2

Bouton d'éjection des piles



Bloc-piles

⚠ AVERTISSEMENT Les outils alimentés en électricité par des piles sont toujours prêts à fonctionner. Par conséquent, le sélecteur de sens de rotation (marche avant / verrouillage en position centrale / marche arrière) doit toujours être verrouillé dans sa position centrale lorsque l'outil n'est pas utilisé ou quand vous le transportez à vos côtés.

⚠ AVERTISSEMENT Ne tentez pas de modifier cet outil ou de créer des accessoires qui ne sont pas recommandés en vue d'un emploi avec cet outil. Une telle altération ou modification serait considérée comme une utilisation abusive et pourrait causer une condition dangereuse pouvant conduire à des blessures graves.

INSTALLATION ET RETRAIT DES EMBOUTS (FIG. 3, 4 ET 5)

⚠ AVERTISSEMENT Ne saisissez pas l'outil par le mandrin en rotation pour desserrer ou serrer les mâchoires du mandrin sur l'embout. Des brûlures résultant des frottements ou des blessures des mains sont possibles si vous tentez de saisir le mandrin alors qu'il est en train de tourner.

⚠ AVERTISSEMENT N'utilisez pas d'embouts dont la tige est endommagée.

Votre outil est pourvu d'un mandrin sans clé servant à serrer ou relâcher les embouts tenus par les mâchoires du mandrin. Les flèches sur le mandrin indiquent le sens dans lequel le corps du mandrin tourne pour permettre de serrer ou de desserrer les mâchoires du mandrin sur l'embout.

Comment installer l'embout :

- Verrouillez l'interrupteur à gâchette à vitesse variable sur l'outil en position d'arrêt en plaçant le sélecteur de sens de rotation dans la position centrale.

b. Retirez le bloc-piles et sélectionnez la position de perçage. (Voir le chapitre « BAGUE DE SÉLECTION DE LA FONCTION ET BAGUE DE RÉGLAGE DU COUPLE »)

c. Faites tourner le corps du mandrin dans le sens contraire des aiguilles d'une montre tel que vu depuis l'extrémité du mandrin afin d'ouvrir le mandrin jusqu'à environ le diamètre de l'embout.

d. Insérez un embout propre jusqu'aux cannelures de l'embout de perçage pour les petits embouts, ou aussi loin qu'il pourra aller pour les grands embouts (Fig. 3).

e. Fermez le mandrin en faisant tourner le corps du mandrin dans le sens des aiguilles d'une montre et serrez à fond à la main (Fig. 4)

Fig. 3

Mandrin sans clé

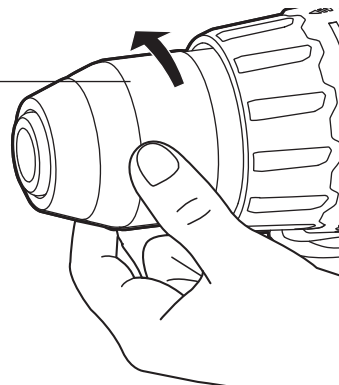
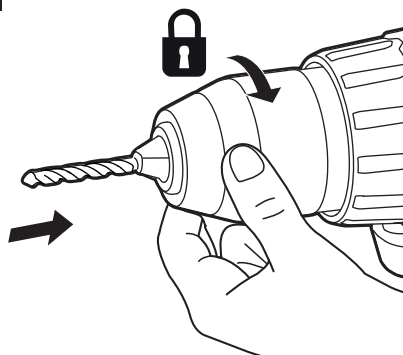


Fig. 4



Comment retirer l'embout :

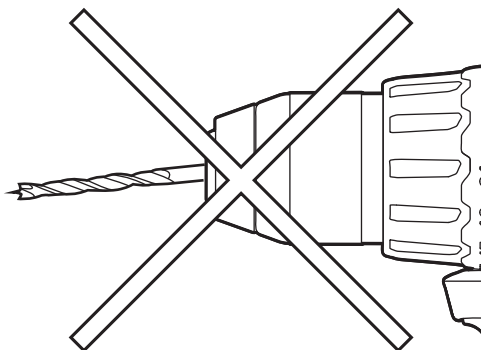
a. Faites tourner le corps du mandrin dans le sens contraire des aiguilles d'une montre tel que vu depuis l'extrémité du mandrin afin d'ouvrir le mandrin.

b. Retirez l'embout.

⚠ AVERTISSEMENT Il est important d'insérer l'embout de perçage tout droit dans les mâchoires du mandrin. N'insérez pas l'embout de perçage dans les mâchoires du mandrin à un angle avant de serrer les mâchoires du mandrin comme illustré à la Fig. 5. Ceci risquerait de causer la projection de l'embout de perçage depuis l'outil, ce qui risquerait de causer l'endommagement du mandrin ou des blessures graves.

⚠ AVERTISSEMENT Utilisez des gants de protection lorsque vous retirez l'embout de l'outil, ou attendez que l'embout ait refroidi. Il se peut que l'embout soit très chaud après une utilisation prolongée.

Fig. 5



AGRAFE DE CEINTURE AMOVIBLE (FIG. 6)

Votre outil est muni d'une agrafe de ceinture amovible qui peut être positionnée sur le côté de l'outil pour permettre un transport pratique.

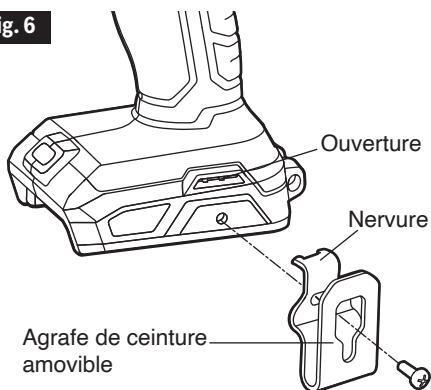
Installation de l'agrafe de ceinture sur l'outil :

- Détachez le bloc-piles de l'outil.
- Alignez la nervure et le trou de l'agrafe de ceinture sur l'ouverture et le trou fileté sur la base de l'outil, respectivement.
- Insérez la vis et serrez-la fermement avec un tournevis (non inclus).

Retrait de l'agrafe de ceinture de l'outil :

- Détachez le bloc-piles de l'outil.
- Utilisez un tournevis pour desserrer la vis qui attache l'agrafe de ceinture à la clé à chocs.
- Retirez la vis et l'agrafe de ceinture.

Fig. 6



AGRAFE À EMBOUTS AMOVIBLE (FIG. 7)

Votre outil est également pourvu d'une agrafe à embouts amovible qui peut être positionnée sur le côté de l'outil pour y ranger les embouts.

Installation de l'agrafe à embouts sur l'outil :

- Détachez le bloc-piles de l'outil.
- Alignez le trou de l'agrafe à embouts sur le trou fileté sur la base de l'outil.

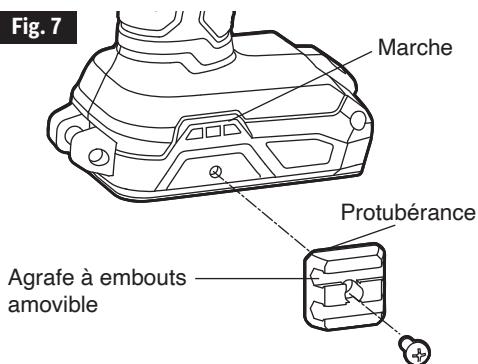
AVIS : Assurez-vous que la protubérance sur l'agrafe à embouts est maintenue au ras de la marche sur la base de l'outil pour garantir la stabilité.

- Insérez la vis et serrez-la fermement avec un tournevis (non inclus).

Retrait de l'agrafe à embouts de l'outil :

- Détachez le bloc-piles de l'outil.

Fig. 7

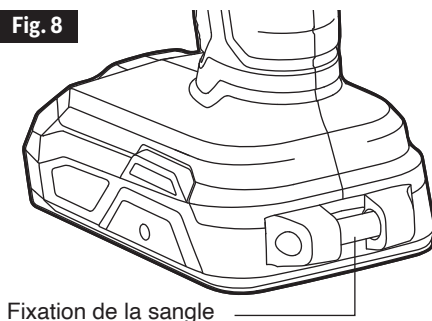


- Utilisez un tournevis pour desserrer la vis qui attache l'agrafe à embouts à la clé à chocs.
- Retirez la vis et l'agrafe à embouts.

ATTACHEMENT D'UNE SANGLE (FIG. 8)

Un système de fixation de sangle est fourni pour attacher une sangle de poignet (non incluse) afin de réduire le risque de laisser tomber l'outil. Placez la sangle autour de votre main lorsque vous transportez l'outil.

Fig. 8



RÉGLAGES

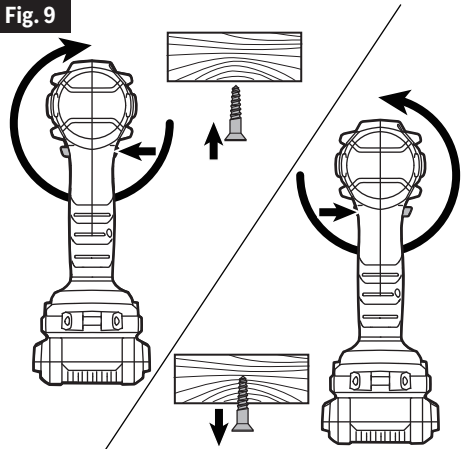
SÉLECTEUR DE SENS DE ROTATION (MARCHÉ AVANT / VERROUILLAGE EN POSITION CENTRALE / MARCHÉ ARRIÈRE) (FIG. 9)

⚠ AVERTISSEMENT Après avoir fini d'utiliser votre outil, verrouillez le sélecteur de sens de rotation dans la position d'arrêt (verrouillage en position centrale) pour réduire le risque de déclenchements accidentels et de blessures pouvant en résulter.

Votre outil est pourvu d'un sélecteur de sens de rotation situé au-dessus de l'interrupteur à gâchette à vitesse variable. Ce sélecteur est utilisé pour changer le sens de rotation de l'embout et pour verrouiller la gâchette à vitesse variable à l'arrêt (position centrale).

- Positionnez le sélecteur de sens de rotation à l'extrême-gauche de l'outil pour enfoncer des vis ou pour percer des trous (Fig. 9).
- Positionnez le sélecteur de sens de rotation à l'extrême-droite de l'outil pour retirer des vis (Fig. 9).
- Positionnez l'interrupteur à l'arrêt (position de verrouillage centrale) pour réduire le risque de déclenchement accidentel de l'outil lorsque vous ne l'utilisez pas.

Fig. 9



AVIS : Pour ne pas risquer d'endommager les engrenages, attendez toujours que l'outil se soit complètement arrêté pour changer le sens de rotation.

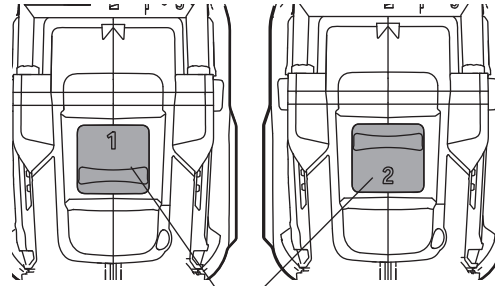
AVIS : L'outil ne fonctionnera que si le sélecteur de sens de rotation est engagé à fond vers la gauche ou vers la droite.

LEVIER DE CHANGEMENT DE VITESSE À DEUX VITESSES (FIG. 10)

Votre outil est pourvu d'une boîte à engrenages à deux vitesses conçue pour fonctionner à deux vitesses différentes possibles. Le levier de changement de vitesse est situé en haut de l'outil et vous permet d'alterner entre les vitesses « 1 » et « 2 ».

- La vitesse « 1 » fournit un couple plus élevé à une vitesse plus lente pour enfoncer des vis ou pour effectuer d'autres travaux difficiles, pour percer des trous de grand diamètre ou pour fileter. Utilisez le mode « 1 » pour commencer à percer des trous si vous n'utilisez pas de pointeau centreur, si vous voulez percer des trous dans des métaux, de la céramique ou du plastique, ou pour des applications nécessitant un couple élevé.
- La vitesse « 2 » fournit un couple plus bas à une vitesse plus élevée en utilisant le marteau perforateur (modèle FX1251 seulement) ou pour des travaux de perçage dans des matériaux faciles à usiner. La vitesse « 2 » est appropriée pour percer le bois et les matériaux composites à base de bois, ainsi que pour utiliser des accessoires abrasifs et de polissage.

Fig. 10



Levier De Changement De Vitesse À Deux Vitesses

AVIS : Attendez toujours que l'outil se soit complètement arrêté pour changer de vitesse afin de réduire le risque d'endommagement des engrenages.

BAGUE DE SÉLECTION DE LA FONCTION (MODÈLE FX1251 SEULEMENT) ET BAGUE DE RÉGLAGE DU COUPLE (FIG. 11 ET 12)

⚠ AVERTISSEMENT N'ajustez pas la bague de sélection de la fonction ou de réglage du couple pendant que l'outil est en train de fonctionner.

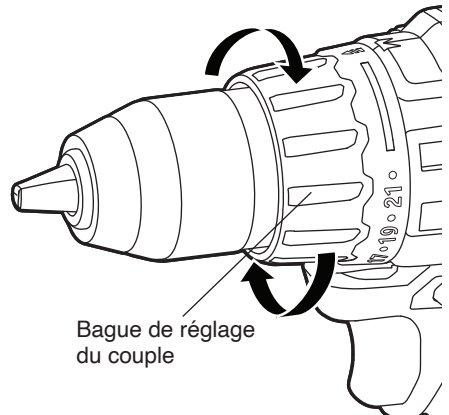
Votre outil est pourvu d'une bague de sélection de la fonction (Modèle FX1251 seulement) et d'une bague de réglage du couple pour diverses applications. Déplacez la bague pertinente en fonction des besoins de votre tâche.

Le réglage approprié dépend de la tâche à accomplir et du type d'embout, de l'élément de fixation et du matériau sur lequel vous travaillez. En général, utilisez un couple élevé pour les vis de grande taille. Si le couple est trop élevé, les vis pourraient être endommagées ou cassées.

Modèle FX1151 (Fig. 11) :

Votre outil comporte 23 paramètres de réglage du couple et un réglage de vissage. Le couple


Fig. 11



Bague de réglage du couple


produit augmentera au fur et à mesure que la bague sera tournée depuis 1 vers 23.


Réglez le couple en faisant tourner la bague de réglage du couple. Plus le paramètre de réglage du couple est élevé, plus l'outil aura de force pour tourner un objet.

Le paramètre de réglage de la perceuse  verrouillera l'embrayage pour permettre le perçage et d'autres applications difficiles.

Modèle FX1251 (Fig. 12) :

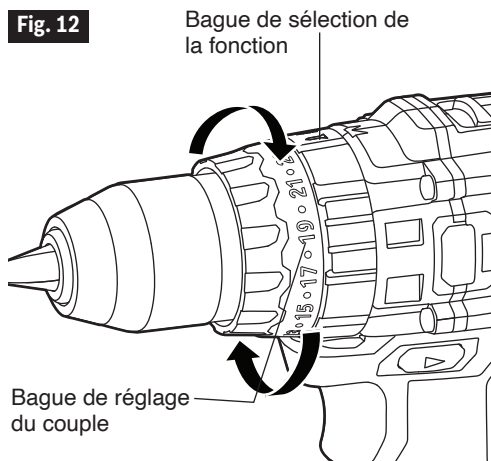
Votre outil comporte 23 paramètres de réglage du couple, un réglage de perçage et un réglage pour le marteau perforateur. Le couple produit augmentera au fur et à mesure que la bague sera tournée depuis 1 vers 24.

Le paramètre de réglage de la perceuse  verrouillera l'embrayage pour permettre le perçage (sans le marteau perforateur) et d'autres applications difficiles.

Le paramètre de réglage du perçage au marteau perforateur  verrouillera l'embrayage pour ne permettre que le perçage au marteau perforateur.

AVIS : N'utilisez pas le paramètre de réglage sur le perçage au marteau perforateur pour percer le bois, le métal, la céramique ou le plastique afin de ne pas risquer d'endommager la mèche de perçage / l'embout de vissage.

Fig. 12



LAMPE À DEL (FIG. 13)

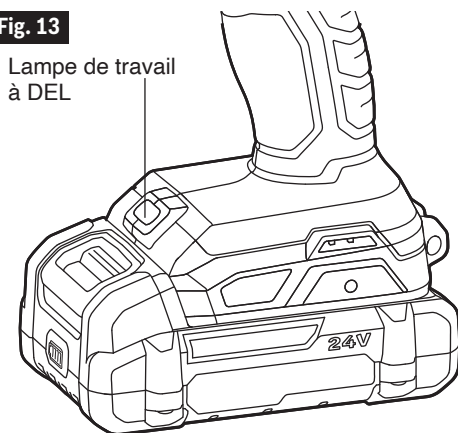
Votre outil est pourvu d'une lampe à DEL qui est située sur la base de l'outil. Ceci fournit un éclairage additionnel sur la surface de l'ouvrage lorsque vous travaillez dans des endroits faiblement éclairés.

La lampe à DEL s'allume automatiquement lorsque vous comprimez légèrement l'interrupteur à gâchette à vitesse variable avant que l'outil commence à fonctionner, et elle s'éteindra automatiquement environ 10 secondes après que vous aurez cessé de comprimer l'interrupteur à gâchette à vitesse variable.

La lampe à DEL clignotera rapidement lorsque l'outil et/ou le bloc-piles seront surchargés ou surchauffés, et les capteurs internes arrêteront alors le fonctionnement de l'outil. Laissez alors l'outil à l'arrêt pendant un certain temps ou placez l'outil et le bloc-piles séparément sous un flux d'air pour les refroidir.

La lampe à DEL clignotera plus lentement pour indiquer que la pile est partiellement déchargée et que sa capacité est réduite. Rechargez le bloc-piles.

Fig. 13



MODE D'EMPLOI

⚠ AVERTISSEMENT Pour réduire les risques

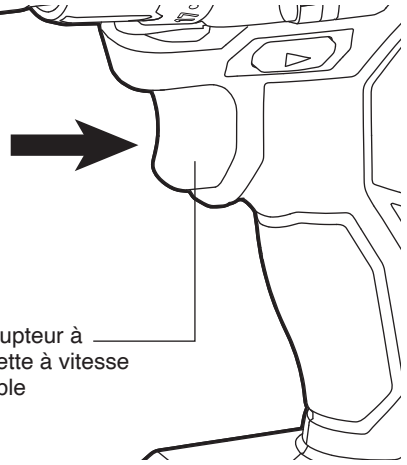
d'incendie, de blessure ou d'endommagement du produit pouvant être causés par un court-circuit, n'immergez jamais votre outil, votre bloc-piles ou votre chargeur dans un liquide, et ne laissez jamais de liquide pénétrer à l'intérieur de ceux-ci. Des liquides corrosifs ou conducteurs tels que l'eau de mer, certains produits chimiques industriels et l'eau de Javel ou des produits contenant de l'eau de Javel, etc. peuvent causer un court-circuit.

INTERRUPTEUR À GÂCHETTE À VITESSE VARIABLE (FIG. 14)

Votre outil est pourvu d'un interrupteur à gâchette à vitesse variable. L'outil peut être activé ou désactivé en appuyant ou relâchant l'interrupteur à gâchette à vitesse variable.

L'interrupteur à gâchette à vitesse variable produit une vitesse supérieure en cas de pression accrue sur la gâchette et une vitesse inférieure en cas de pression réduite sur la gâchette.

Fig. 14



Interrupteur à gâchette à vitesse variable

⚠ AVERTISSEMENT Si de quelconques pièces sont endommagées ou manquantes, n'utilisez pas ce produit avant que de telles pièces aient été remplacées. L'utilisation de ce produit avec des pièces endommagées ou manquantes pourrait causer des blessures graves.

⚠ AVERTISSEMENT Pour ne pas risquer un déclenchement accidentel qui pourrait causer une blessure grave, retirez toujours le bloc-piles de l'outil lorsque vous vous apprêtez à y installer des composants.

Cette perceuse-visseuse / ce marteau perforateur ne doit être utilisé qu'avec les blocs-piles et les chargeurs indiqués ci-dessous :

Bloc-piles				Chargeur	
2.5Ah	5Ah	8Ah	12Ah		
FLEX FX0111	FLEX FX0121	FLEX FX0221	FLEX FX0231	FLEX FX0411	FLEX FX0421

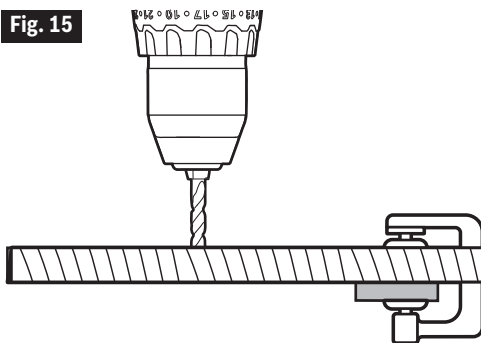
AVIS : Veuillez consulter les modes d'emploi du bloc-piles et du chargeur pour toutes explications détaillées sur leur fonctionnement.

PERÇAGE (FIG. 15)

⚠ AVERTISSEMENT Portez toujours des lunettes de sécurité ou des lunettes de protection avec écrans latéraux pendant que vous utilisez l'outil électrique ou que vous soufflez de la poussière. Si votre opération produit de la poussière, portez également un masque de protection contre la poussière.

- Assurez-vous que le sélecteur de sens de rotation est dans la position correcte (marche avant ou marche arrière).
- Sécurisez l'ouvrage à percer dans un étau ou avec des brides de fixation pour l'empêcher de tourner en même temps que la mèche de perçage.
- Tenez fermement la perceuse et placez la mèche au point où vous voulez percer un trou.
- Comprimez l'interrupteur à gâchette à vitesse variable pour commencer le perçage.
- Enfoncez la mèche de perçage dans l'ouvrage en exerçant juste assez de pression pour que la mèche fasse son travail. Ne forcez pas la mèche et n'exercez pas de pression latérale pour allonger un trou. Laissez l'outil faire son travail.
- Lorsque vous voulez percer des surfaces dures et lisses, utilisez un pointeau centreur afin de marquer l'endroit désiré pour le trou. Ceci empêchera la mèche de la perceuse de glisser et de se décentrer lorsque vous commencerez à percer.

Fig. 15



- Lorsque vous percez des métaux, appliquez une légère couche d'huile sur la mèche de perçage pour l'empêcher de surchauffer. L'huile prolongera la durée de vie de la mèche et augmentera l'efficacité du perçage.
- Si la mèche se coince dans l'ouvrage ou si la perceuse cale, arrêtez immédiatement l'outil. Retirez la mèche de l'ouvrage et déterminez la cause du problème.

Il existe deux règles à respecter pour percer des matériaux durs. Premièrement, plus le matériau est dur, plus vous devrez faire pression sur l'outil. Deuxièmement, plus le matériau est dur, plus la vitesse devra être lente. Si le trou à percer doit être large, commencez par percer un trou de plus faible diamètre, puis élargissez-le jusqu'au diamètre nécessaire en utilisant une mèche de plus grand diamètre ; ceci permet souvent de gagner du temps à la longue.

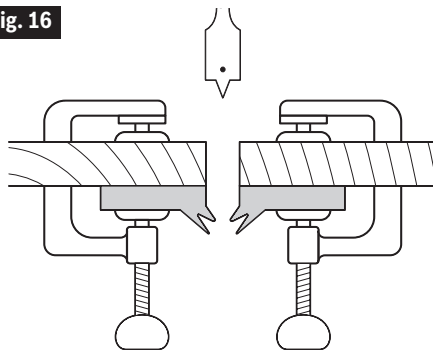
PERÇAGE DE BOIS (FIG. 16)

Pour assurer la performance optimale, utilisez des mèches en acier à coupe rapide ou à tête de diamant pour percer le bois.

- Commencez à percer à très basse vitesse pour empêcher la mèche de glisser et de percer à un autre endroit.
- Augmentez la vitesse au fur et à mesure que la mèche de perçage pénètre dans le matériau.
- Lorsque vous effectuez des perçages « traversants », placez de façon sécurisée un bloc de bois derrière l'ouvrage pour ne pas risquer de produire des bords fendillés ou éclatés à l'arrière de l'ouvrage.

AVIS : Les mèches peuvent surchauffer si leur sens de rotation n'est pas inversé de

Fig. 16



temps à autre et si elles ne sont pas retirées fréquemment pour nettoyer les cannelures en retirant les copeaux pouvant s'y être accumulés.

PERÇAGE DE MÉTAL

Pour assurer la performance optimale, utilisez des mèches en acier à coupe rapide pour percer le métal ou l'acier.

- Lorsque vous percez des ouvrages en métal, appliquez une légère couche d'huile sur la mèche de perçage pour l'empêcher de surchauffer. L'huile prolongera la durée de vie de la mèche et augmentera l'efficacité du perçage.
- Commencez à percer à très basse vitesse pour empêcher la mèche de glisser et de percer à un autre endroit

- Maintenez une vitesse et une pression constantes pour pouvoir continuer à couper sans que la mèche ne surchauffe. L'application d'une pression excessive aura les conséquences suivantes :

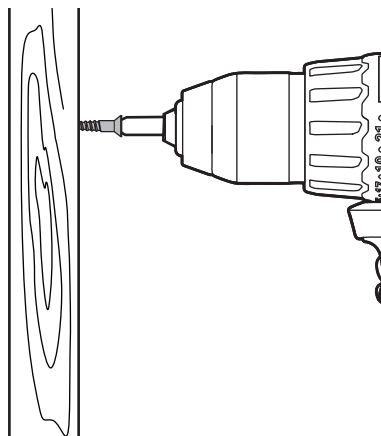
- Surchauffe de la perceuse
- Usure des paliers
- Déformation ou brûlure des mèches
- Production de trous décentrés ou de formes irrégulières

ENFONCEMENT DE VIS (FIG. 17)

Essayez d'utiliser des vis de type standard pour améliorer la préhension et faciliter leur enfoncement.

- Installez l'embout de visseuse correct.
- Assurez-vous que la bague de réglage du couple est réglée sur la valeur la plus appropriée. En cas de doute, commencez à une valeur très basse et augmentez progressivement suivant les besoins. Ne changez pas le réglage du couple pendant que l'outil est en train de fonctionner.

Fig. 17



- c. Utilisez la vitesse correcte (« 1 » ou « 2 ») pour la tâche à accomplir et n'appliquez initialement qu'une pression minimale sur l'interrupteur à gâchette à vitesse variable. N'augmentez la vitesse que lorsque vous serez en mesure d'exercer un contrôle total.
- d. Il est conseillé de commencer par le percement d'un trou pilote. Ce trou devrait être légèrement plus long que la vis pour que celle-ci puisse avancer au maximum et juste un peu plus petit que le diamètre de la vis. Le trou pilote servira de guide pour la vis et rendra également le serrage de la vis moins difficile. Lorsque les vis sont positionnées près d'un bord du matériau, un trou pilote

aidera également à prévenir l'éclatement du bois.

- e. Utilisez une vis à fraiser (vendue séparément) pour éviter que la tête de la vis ne dépasse la surface.
- k. Exercez une pression suffisante sur la visseuse pour empêcher que l'embout ne se détache de la tête de la vis. La tête de la vis pourrait facilement être endommagée, ce qui rendrait plus difficile son enfoncement ou son retrait.
- g. Pour arrêter la perceuse-visseuse, relâchez l'interrupteur à gâchette et attendez que l'outil s'arrête complètement.

PERÇAGE DE MAÇONNERIE (MODÈLE FX1251 SEULEMENT)

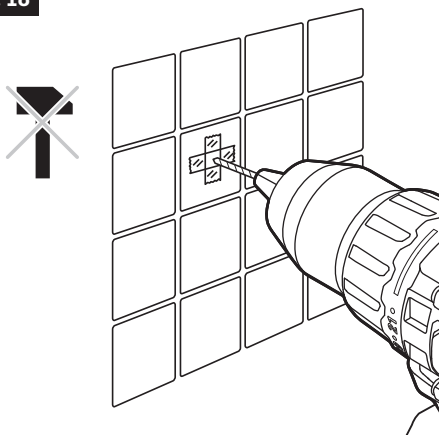
Pour obtenir une performance optimale, utilisez des mèches pour maçonnerie à pointe au carbure lorsque vous percez des trous dans la brique, la tuile, le béton, etc.

- Maintenez une vitesse et une pression constantes pour pouvoir continuer à couper sans que la mèche ou la perceuse ne surchauffe.

L'application d'une pression excessive aura les conséquences suivantes :

- Surchauffe de la perceuse
- Usure des paliers
- Déformation ou brûlure des mèches
- Production de trous décentrés ou de formes irrégulières
- Exercez une pression légère et travaillez à une vitesse intermédiaire pour produire les meilleurs résultats dans la brique.
- Exercez une pression plus forte pour couper des matériaux durs comme du béton.
- Lorsque vous voulez percer des trous dans la tuile, pratiquez sur un déchet de tuile pour déterminer la vitesse et la pression idéales. Pour éviter que la mèche de perçage ne glisse ou ne dérape, appliquez d'abord deux morceaux de ruban masque afin de créer une forme en « X » au-dessus de l'endroit où vous voulez percer le trou (Fig. 18).
- Commencez à percer à très basse vitesse pour empêcher la mèche de glisser et de percer à un autre endroit.

Fig. 18



MAINTENANCE

⚠ AVERTISSEMENT Pour éviter des blessures graves, retirez toujours le bloc-piles de l'outil lorsque vous le nettoyez ou quand vous effectuez des travaux de maintenance.

SERVICE APRÈS-VENTE

⚠ AVERTISSEMENT Une maintenance préventive effectuée par une personne non autorisée pourrait entraîner un placement incorrect de fils et composants internes, ce qui pourrait être très dangereux. Nous recommandons que toutes les opérations de maintenance de cet outil soient effectuées par un centre de service après-vente usine FLEX ou par un poste de service agréé par FLEX.

MAINTENANCE GÉNÉRALE

⚠ AVERTISSEMENT Lors de toute réparation, n'utilisez que des pièces de rechange identiques. L'utilisation de toutes autres pièces de rechange pourrait créer un danger ou endommager le produit. Inspectez périodiquement l'intégralité du produit pour vous assurer qu'il n'y a pas de pièces endommagées, manquantes ou desserrées comme des vis, des écrous, des boulons, des capuchons, etc. Serrez à fond tous les dispositifs de fixation et capuchons, et ne vous servez pas de ce produit

avant que toutes les pièces manquantes ou endommagées aient été remplacées. Veuillez contacter le service à la clientèle ou un centre de service après-vente agréé pour obtenir de l'assistance.

NETTOYAGE

⚠ AVERTISSEMENT La façon la plus efficace de nettoyer l'outil est en utilisant un jet d'air comprimé sec. Portez toujours des lunettes de sécurité lorsque vous nettoyez des outils avec de l'air comprimé. Les ouvertures de ventilation et les leviers des interrupteurs doivent être gardés propres, sans accumulation de saletés. Ne tentez pas de les nettoyer en insérant des objets pointus à travers les ouvertures.

⚠ AVERTISSEMENT Certains agents de nettoyage et solvants peuvent endommager les pièces en plastique. Citons notamment : l'essence, le tétrachlorure de carbone, les solvants de nettoyage chlorés, l'ammoniac et les détergents ménagers contenant de l'ammoniac.

STOCKAGE

Rangez l'outil à l'intérieur, à un endroit qui est hors de portée des enfants. Conservez-le à distance des agents corrosifs.

ACCESSOIRES

⚠ AVERTISSEMENT L'utilisation de tous autres accessoires non indiqués dans ce mode d'emploi pourrait créer un danger.

Poignée auxiliaire

Porteembout / Agrafe à embouts amovible

Agrafe de ceinture amovible

GARANTIE LIMITE DE CINQ ANS

Chervon North America, Inc. (« Vendeur ») garantit uniquement à l'acheteur d'origine que tous les produits FLEX de 24 V seront exempts de tout défaut de matériel ou de fabrication pendant une période de cinq ans à compter de la date d'achat lorsque l'acheteur d'origine enregistre le produit dans les 30 jours suivant la date d'achat au détail et conserve son reçu comme preuve de l'achat. LA PÉRIODE DE GARANTIE LIMITÉE DE CINQ ANS EST CONDITIONNÉE PAR L'ENREGISTREMENT DU PRODUIT DANS LES 30 JOURS SUIVANT L'ACHAT ET NE S'APPLIQUE QU'AUX OUTILS, PILES ET CHARGEURS FLEX DE 24 V. Si l'acheteur d'origine n'enregistre pas son produit dans les 30 jours, la garantie limitée susmentionnée s'applique pour une durée de trois ans. L'enregistrement du produit peut être effectué en ligne à l'adresse suivante : www.registermyflex.com.

Outils de 24 V : Garantie limitée de cinq ans avec l'enregistrement

Piles et chargeurs de 24 V : Garantie limitée de cinq ans avec l'enregistrement

Produits filaires FLEX de la génération précédente de 12 V et de 20 V : Garantie limitée d'un an; pas de bénéfices résultant de l'enregistrement

Accessoires et attachements : Pas de garantie

LA SEULE OBLIGATION DU VENDEUR ET VOTRE SEUL RECOURS dans le cadre de cette garantie limitée de cinq ans et, dans la mesure permise par la loi, toute garantie ou condition impliquée par la loi, sera la réparation ou le remplacement des pièces, sans frais, qui sont défectueuses en termes de matériel ou de fabrication et qui n'ont pas été utilisées de façon inappropriée, manipulées avec négligence ou réparées par des personnes autres qu'un concessionnaire réparateur autorisé de FLEX. Cette garantie ne couvre pas les défaillances des pièces dues à une usure normale. Pour faire une réclamation au titre de la garantie, renvoyez le produit complet, transport payé, à un concessionnaire réparateur autorisé de FLEX. Pour identifier des concessionnaires réparateurs autorisés de FLEX, veuillez vous rendre sur le site www.registermyflex.com ou téléphonez au 1-833-FLEX-496 (1-833-353-9496).

La présente garantie limitée de cinq ans ne s'applique pas aux accessoires, attachements ou pièces.

Toute garantie implicite applicable à un produit est limitée dans le temps à une durée égale à la durée des garanties expresses applicables à ce produit, comme indiqué au premier paragraphe ci-dessus. Étant donné que certains États des États-Unis et certaines provinces canadiennes n'autorisent pas la limitation de la durée d'une garantie implicite, la limitation ci-dessus peut ne pas s'appliquer.

FLEX n'est pas responsable des dommages directs, indirects, accidentels ou consécutifs. Étant donné que certains États des États-Unis et certaines provinces canadiennes n'autorisent pas la limitation de la durée d'une garantie implicite et/ou l'exclusion ou la limitation des dommages accessoires ou indirects, les limitations ou exclusions ci-dessus peuvent ne pas s'appliquer. Cette garantie limitée vous donne des droits légaux spécifiques, et vous pouvez également avoir d'autres droits qui varient selon les États des États-Unis et les provinces du Canada.

Cette garantie limitée s'applique uniquement aux produits vendus aux États-Unis d'Amérique, au Canada et dans le Commonwealth de Porto Rico. Pour connaître la couverture de la garantie dans les autres pays, contactez votre revendeur FLEX local.

© Chervon North America, 1203 E. Warrenville Rd., Naperville, IL 60563

www.flexpowertools.com


www.registermyflex.com

1-833-FLEX-496 (1-833-353-9496)

SÍMBOLOS DE SEGURIDAD

La finalidad de los símbolos de seguridad es atraer la atención del usuario hacia posibles peligros. Los símbolos de seguridad y las explicaciones que los acompañan merecen que usted preste una atención detenida y logre una comprensión profunda. Las advertencias con símbolo no eliminan por sí mismas ningún peligro. Las instrucciones y las advertencias que dichas instrucciones dan no son sustitutos de las medidas adecuadas de prevención de accidentes.

⚠ ADVERTENCIA Asegúrese de leer y entender todas las instrucciones de seguridad incluidas en este manual del operador, incluyendo todos los símbolos de alerta de seguridad, tales como “**PELIGRO**”, “**ADVERTENCIA**” y “**PRECAUCIÓN**”, antes de utilizar esta herramienta. Si no se siguen todas las instrucciones que se indican a continuación, es posible que el resultado sea descargas eléctricas, incendio y/o lesiones corporales graves.

Las definiciones que aparecen a continuación describen el nivel de gravedad de cada palabra de aviso. Por favor, lea el manual y preste atención a estos símbolos.	
	Este es el símbolo de alerta de seguridad. Se utiliza para alertarle a usted de posibles peligros de lesiones corporales. Obedezca todos los mensajes de seguridad que sigan a este símbolo para evitar posibles lesiones o muerte.
⚠ PELIGRO	PELIGRO: PELIGRO indica una situación peligrosa que, si no se evita, causará la muerte o lesiones graves.
⚠ ADVERTENCIA	ADVERTENCIA: ADVERTENCIA indica una situación peligrosa que, si no se evita, podría causar la muerte o lesiones graves.
⚠ PRECAUCIÓN	PRECAUCIÓN: PRECAUCIÓN, cuando se utiliza con el símbolo de alerta de seguridad, indica una situación peligrosa que, si no se evita, causará lesiones leves o moderadas.

Mensajes de prevención e información de daños

Estos mensajes ofrecen al usuario información e/o instrucciones importantes que hay que seguir para no causar daños al equipo u otros daños materiales. Cada mensaje va precedido por la palabra “**AVISO**”, como en el ejemplo que aparece a continuación:

AVISO: Es posible que ocurran daños al equipo y/o daños materiales si no se siguen estas instrucciones.



⚠ ADVERTENCIA La utilización de cualquier herramienta eléctrica puede hacer que se lancen objetos extraños hacia los ojos del operador, lo cual puede causar daños oculares graves. Antes de comenzar a utilizar una herramienta eléctrica, póngase siempre anteojos de seguridad o gafas de seguridad con escudos laterales y una careta completa cuando sea necesario. Recomendamos una máscara de seguridad de visión amplia para utilizarla sobre gafas o anteojos de seguridad estándar con escudos laterales. Utilice siempre protección ocular que esté marcada para cumplir con la norma ANSI Z87.1.

ADVERTENCIAS GENERALES DE SEGURIDAD PARA LA HERRAMIENTA ELÉCTRICA

⚠ ADVERTENCIA Lea todas las advertencias de seguridad, instrucciones, ilustraciones y especificaciones suministradas con esta herramienta eléctrica. Si no se siguen todas las instrucciones que se indican a continuación, es posible que el resultado sea descargas eléctricas, incendio y/o lesiones graves.

GUARDE TODAS LAS ADVERTENCIAS E INSTRUCCIONES PARA REFERENCIA FUTURA.

La expresión “herramienta eléctrica” que se incluye en las advertencias se refiere a su herramienta eléctrica alimentada por la red eléctrica (alámbrica) o su herramienta eléctrica alimentada por baterías (inalámbrica).

Seguridad en el área de trabajo

Mantenga el área de trabajo limpia y bien iluminada. Las áreas desordenadas u oscuras invitan a que se produzcan accidentes.

No utilice herramientas eléctricas en atmósferas explosivas, tales como las existentes en presencia de líquidos, gases o polvos inflamables. Las herramientas eléctricas generan chispas, las cuales pueden incendiar los polvos o los vapores.

Mantenga alejados a los niños y a los curiosos mientras esté utilizando una herramienta eléctrica. Las distracciones pueden hacerle perder el control de la herramienta.

Seguridad eléctrica

Los enchufes de las herramientas eléctricas deben coincidir con el tomacorriente. No modifique nunca el enchufe de ninguna manera. No utilice enchufes adaptadores con herramientas eléctricas conectadas a tierra (puestas a masa). Los enchufes sin modificar y los tomacorrientes coincidentes reducirán el riesgo de descargas eléctricas.

Evite el contacto del cuerpo con las superficies conectadas a tierra o puestas a masa, tales como tuberías, radiadores, estufas de cocina y refrigeradores. Hay mayor riesgo de que se produzcan descargas eléctricas si su cuerpo está conectado a tierra.

No exponga las herramientas eléctricas a la lluvia ni a condiciones mojadas. La entrada de agua en una herramienta eléctrica aumentará el riesgo de descargas eléctricas.

No maltrate el cable. No use nunca el cable para transportar, jalar o desenchufar la herramienta eléctrica. Mantenga el cable

alejado del calor, el aceite, los bordes afilados o las piezas móviles. Los cables dañados o enredados aumentan el riesgo de que se produzcan descargas eléctricas.

Cuando utilice una herramienta eléctrica a la intemperie, use un cable de extensión adecuado para uso a la intemperie. La utilización de un cable adecuado para uso a la intemperie reduce el riesgo de descargas eléctricas.

Si es inevitable utilizar una herramienta eléctrica en un lugar húmedo, utilice una fuente de alimentación protegida por un interruptor de circuito accionado por corriente de pérdida a tierra (GFCI, por sus siglas en inglés). El uso de un GFCI reduce el riesgo de descargas eléctricas.

Seguridad personal

Manténgase alerta, fíjese en lo que está haciendo y use el sentido común cuando utilice una herramienta eléctrica. No utilice una herramienta eléctrica mientras esté cansado o bajo la influencia de drogas, alcohol o medicamentos. Es posible que un momento de descuido mientras se estén utilizando herramientas eléctricas cause lesiones corporales graves.

Utilice equipo de protección personal. Use siempre protección ocular. Los equipos protectores, tales como una máscara antipolvo, calzado de seguridad antideslizante, casco o protección de la audición, utilizados según lo requieran las condiciones, reducirán las lesiones corporales.

Evite los arranques accidentales. Asegúrese de que el interruptor esté en la posición de apagado antes de conectar la herramienta a una fuente de alimentación y/o a un paquete de batería, levantar la herramienta o transportarla. Si se transportan herramientas eléctricas con el dedo en el interruptor o si se suministra corriente a herramientas que tengan el interruptor en la posición de encendido se invita a que se produzcan accidentes.

Retire todas las llaves de ajuste o de tuerca antes de encender la herramienta eléctrica.

Es posible que una llave de tuerca o de ajuste que esté sujeta a una pieza rotativa de la herramienta cause lesiones corporales.

No intente alcanzar demasiado lejos.

Mantenga un apoyo de los pies y un equilibrio adecuados en todo momento. Esto permitirá un mejor control de la herramienta eléctrica en situaciones inesperadas.

Vístase adecuadamente. No se ponga ropa holgada ni joyas. Mantenga el pelo y la ropa alejados de las piezas móviles. La ropa holgada, las joyas o el pelo largo pueden quedar atrapados en las piezas móviles.

Si se proporcionan dispositivos para la conexión de instalaciones de extracción y recolección de polvo, asegúrese de que dichas instalaciones se conecten y utilicen correctamente. El uso de recolección de polvo puede reducir los peligros relacionados con el polvo.

No deje que la familiaridad obtenida con el uso frecuente de las herramientas le haga volverse complaciente e ignorar los principios de seguridad de las herramientas. Una acción descuidada puede causar lesiones graves en una fracción de segundo.

Uso y cuidado de la herramienta eléctrica

No fuerce la herramienta eléctrica. Utilice la herramienta eléctrica correcta para la aplicación que vaya a realizar. La herramienta correcta hará el trabajo mejor y con más seguridad a la capacidad nominal para la que fue diseñada.

No utilice la herramienta eléctrica si el interruptor no la enciende o apaga. Cualquier herramienta eléctrica que no se pueda controlar con el interruptor es peligrosa y debe ser reparada.

Desconecte el enchufe de la fuente de alimentación y/o retire el paquete de batería de la herramienta eléctrica, si es retirable, antes de hacer cualquier ajuste, cambiar accesorios o almacenar herramientas eléctricas. Dichas medidas preventivas de seguridad reducen el riesgo de arrancar accidentalmente la herramienta eléctrica.

Guarde las herramientas eléctricas que no esté usando fuera del alcance de los niños y no deje que las personas que no estén familiarizadas con la herramienta eléctrica o estas instrucciones utilicen la herramienta eléctrica. Las herramientas eléctricas son peligrosas en las manos de los usuarios no capacitados.

Realice mantenimiento de las herramientas eléctricas y los accesorios. Compruebe si hay desalineación o atoramiento de las piezas móviles, rotura de piezas y cualquier otra situación que pueda afectar al funcionamiento de la herramienta eléctrica. Si la herramienta está dañada, haga que la reparen antes de utilizarla. Muchos accidentes son causados por herramientas eléctricas mantenidas deficientemente.

Mantenga las herramientas de corte afiladas y limpias. Las herramientas de corte mantenidas adecuadamente, con bordes de corte afilados, tienen menos probabilidades de atorarse y son más fáciles de controlar.

Utilice la herramienta eléctrica, los accesorios y las brocas de la herramienta, etc., de acuerdo con estas instrucciones, teniendo en cuenta las condiciones de trabajo y el trabajo que se vaya a realizar. El uso de la herramienta eléctrica para operaciones distintas a las previstas podría causar situaciones inesperadas.

Mantenga los mangos y las superficies de agarre secos, limpios y libres de aceite y grasa. Los mangos resbalosos y las superficies de agarre resbalosas no permiten un manejo y un control seguros de la herramienta situaciones inesperadas.

Uso y cuidado de las baterías

Recargue las baterías solo con el cargador especificado por el fabricante. Es posible que un cargador que sea adecuado para un tipo de paquete de batería cree un riesgo de incendio cuando se utilice con otro paquete de batería.

Utilice las herramientas eléctricas solo con paquetes de batería designados específicamente. Es posible que el uso de cualquier otro paquete de batería cree un riesgo de lesiones e incendio.

Cuando el paquete de batería no se esté utilizando, manténgalo alejado de otros objetos metálicos, tales como clips sujetapapeles, monedas, llaves, clavos, tornillos u otros objetos metálicos pequeños, que puedan hacer una conexión de un terminal al otro. Si se cortocircuitan juntos los terminales de la batería es posible que se causen quemaduras o un incendio.

En condiciones abusivas es posible que se expulse líquido de la batería; evite el contacto. Si se produce contacto accidentalmente, enjuáguese con agua. Si el líquido entra en contacto con los ojos, obtenga además ayuda médica. Es posible que el líquido expulsado de la batería cause irritación o quemaduras.

No utilice un paquete de batería o una herramienta que esté dañada o modificada. Es posible que las baterías dañadas o modificadas exhiban un comportamiento imprevisible que cause incendio, explosión o riesgo de lesiones.

No exponga un paquete de batería o una herramienta a un fuego o a una temperatura excesiva. Es posible que la exposición a un fuego o a una temperatura superior a 265 °F cause una explosión.

Siga todas las instrucciones de carga y no cargue el paquete de batería ni la herramienta fuera del intervalo de temperatura especificado en las instrucciones. Es posible que la realización de la carga de manera inadecuada o a temperaturas que estén fuera del intervalo especificado dañe la batería y aumente el riesgo de incendio.

Servicio de ajustes y reparaciones

Haga que su herramienta eléctrica reciba servicio de ajustes y reparaciones por un técnico de reparaciones calificado que utilice únicamente piezas de repuesto idénticas. Esto garantizará que se mantenga la seguridad de la herramienta eléctrica.

No haga nunca servicio de ajustes y reparaciones de paquetes de batería dañados. El servicio de ajustes y reparaciones de paquetes de batería deberá ser realizado solo por el fabricante o por proveedores de servicio autorizados.

ADVERTENCIAS DE SEGURIDAD PARA EL TALADRO ATORNILLADOR

- **Agarre la herramienta eléctrica por las superficies de agarre con aislamiento cuando realice una operación en la que el sujetador pueda entrar en contacto con cables ocultos.** Es posible que los sujetadores que entren en contacto con un cable con corriente hagan que las partes metálicas de la herramienta eléctrica que estén al descubierto tengan corriente, lo cual podría causar una descarga eléctrica al operador.
- **Utilice el mango auxiliar o los mangos auxiliares, si se suministran con la herramienta.** Una pérdida de control podría causar lesiones corporales.
- **Sujete firmemente la pieza de trabajo.** Los dispositivos de sujeción o una prensa

de tornillo sujetarán la pieza de trabajo en la posición correcta mejor y de manera más segura que si se sujeta con la mano.

- **No taladre, apriete sujetadores ni rompa en paredes existentes u otras áreas ciegas donde pueda haber cables eléctricos. Si esta situación es inevitable, desconecte todos los fusibles o cortacircuitos que suministren energía eléctrica a este sitio de construcción.**
- **Posiciónese de manera que evite ser atrapado entre la herramienta y las paredes o los postes.** En el caso de que la broca se atore o se enganche en la pieza de trabajo, la fuerza de torsión de reacción de la herramienta podría aplastarle la mano o la pierna.

- **Espere siempre hasta que la herramienta se haya detenido por completo antes de dejarla en cualquier lugar.** El inserto de la herramienta se puede atorar y causar pérdida de control de la herramienta eléctrica.
- **Cuando trabaje con la herramienta eléctrica, agárrela siempre firmemente con las dos manos y adopte una posición segura.** La herramienta eléctrica se guía de manera más segura con las dos manos.

ADVERTENCIAS DE SEGURIDAD PARA EL ATORNILLADOR DE PERCUSIÓN









- **Use protectores de oídos cuando realice taladrado de percusión.** La exposición al ruido puede causar pérdida de audición.
 - **Agarre la herramienta eléctrica por las superficies de agarre con aislamiento cuando realice una operación en la que la herramienta de corte pueda entrar en contacto con cables ocultos.** Es posible que las herramientas de corte que entren en contacto con un cable con corriente hagan que las partes metálicas de la herramienta eléctrica que estén al descubierto tengan corriente, lo cual podría causar una descarga eléctrica al operador.
 - **Utilice el mango auxiliar o los mangos auxiliares, si se suministran con la herramienta.** Una pérdida de control podría causar lesiones corporales.
 - **Sujete firmemente la pieza de trabajo.** Los dispositivos de sujeción o una prensa de tornillo sujetarán la pieza de trabajo en la posición correcta mejor y de manera más segura que si se sujeta con la mano.
 - **No taladre, apriete sujetadores ni rompa en paredes existentes u otras áreas ciegas donde pueda haber cables eléctricos. Si esta situación es inevitable, desconecte todos los fusibles o cortacircuitos que suministren energía eléctrica a este sitio de construcción.**
 - **Posiciónese de manera que evite ser atrapado entre la herramienta y las paredes o los postes.** En el caso de que la broca se atore o se enganche en la pieza de trabajo, la fuerza de torsión de reacción de la herramienta podría aplastarle la mano o la pierna.
- Instrucciones de seguridad cuando se utilicen brocas taladradoras largas:**
- No utilice nunca la herramienta a una velocidad más alta que la velocidad nominal máxima de la broca taladradora. A velocidades más altas, es probable que la broca se doble si se deja que rote libremente sin entrar en contacto con la pieza de trabajo, lo cual tendrá como resultado lesiones corporales.
 - Comience a taladrar siempre a velocidad baja y con la punta de la broca en contacto con la pieza de trabajo
 - A velocidades más altas, es probable que la broca se doble si se deja que rote libremente sin entrar en contacto con la pieza de trabajo, lo cual tendrá como resultado lesiones corporales.
 - Aplique presión solo en línea directa con la broca y no aplique una presión excesiva. Las brocas se pueden doblar y con ello causar rotura o pérdida de control, lo cual tendrá como resultado lesiones corporales.





ADVERTENCIA

- Cierta polvos generados por las operaciones de lijado, aserrado, amolado y taladrado con herramientas eléctricas, así como por otras actividades de construcción, contienen sustancias químicas que el estado de California sabe que causan cáncer, defectos de nacimiento u otros daños sobre la reproducción. Algunos ejemplos de estas sustancias químicas son:
 - Plomo procedente de pinturas a base de plomo.
 - Sílice cristalina procedente de ladrillos y cemento y otros productos de mampostería.
 - Arsénico y cromo procedentes de madera de construcción tratada químicamente.
- El riesgo para usted por causa de estas exposiciones varía, dependiendo de qué tan a menudo realice este tipo de trabajo. Para reducir su exposición a estas sustancias químicas:
 - Trabaje en un área bien ventilada.
 - Trabaje con equipo de seguridad aprobado, tal como máscaras antipolvo que estén diseñadas especialmente para impedir mediante filtración el paso de partículas microscópicas.
 - Evite el contacto prolongado con el polvo procedente de las operaciones de lijado, aserrado, amolado y taladrado con herramientas eléctricas, así como de otras actividades de construcción. Use ropa protectora y lave las áreas expuestas del cuerpo con agua y jabón. Si deja que le entre polvo en la boca o en los ojos, o que le quede polvo en la piel, es posible que se promueva la absorción de sustancias químicas perjudiciales.

SÍMBOLOS

IMPORTANTE: Puede que algunos de los siguientes símbolos aparezcan en la herramienta. Estúdielos y conozca su significado. La interpretación correcta de estos símbolos le permitirá utilizar la herramienta de manera eficaz y segura.

Símbolo	Nombre	Designación/Explicación
V	Voltios	Voltaje
A	Amperios	Corriente
Hz	Hertz	Frecuencia (ciclos por segundo)
W	Vatios	Alimentación
kg	Kilogramos	Peso
min	Minutos	Hora
s	Segundos	Hora
Wh	Vatio por horas	Capacidad de la batería
Ah	Amperios por hora	Capacidad de la batería
∅	Diámetro	Tamaño de las brocas para taladro, piedras de amolar, etc.
n_0	Velocidad sin carga	Velocidad de rotación sin carga
n	Rango de velocidad	Velocidad máxima alcanzable
.../min	Revoluciones o reciprocaciones por minuto (rpm)	Revoluciones, pasadas, velocidad de superficie, órbitas, etc. por minuto
0	Posición de apagado	Velocidad cero, torsión cero...
1,2,3,... I,II,III,	Ajustes del selector	Ajustes de velocidad, par o posición. Un número mayor significa mayor velocidad
	Selector de regulación continua con apagado	La velocidad aumenta desde el ajuste 0
	Flecha	Acción en la dirección de la flecha
	Corriente alterna (CA)	Tipo o característica de corriente
	Corriente continua (CC)	Tipo o característica de corriente
	Corriente alterna o continua (CA/CC)	Tipo o característica de corriente
	Herramienta de Clase II	Designa las herramientas de construcción con doble aislamiento
	Conexión a tierra de protección	Terminal de conexión a tierra
	Sello de iones de litio de RBRC	Designa el programa de reciclaje de baterías de iones de litio

Símbolo	Nombre	Designación/Explicación
	Lea las instrucciones	Indica al usuario que lea el manual
	Símbolo de use de lentes de protección	Alerta al usuario para que use protección ocular
	Utilice siempre la herramienta con las dos manos	Alerta al usuario para que utilice siempre la herramienta con las dos manos
	No utilice el protector para operaciones de tronzado	Alerta al usuario para que no utilice el protector para operaciones de tronzado

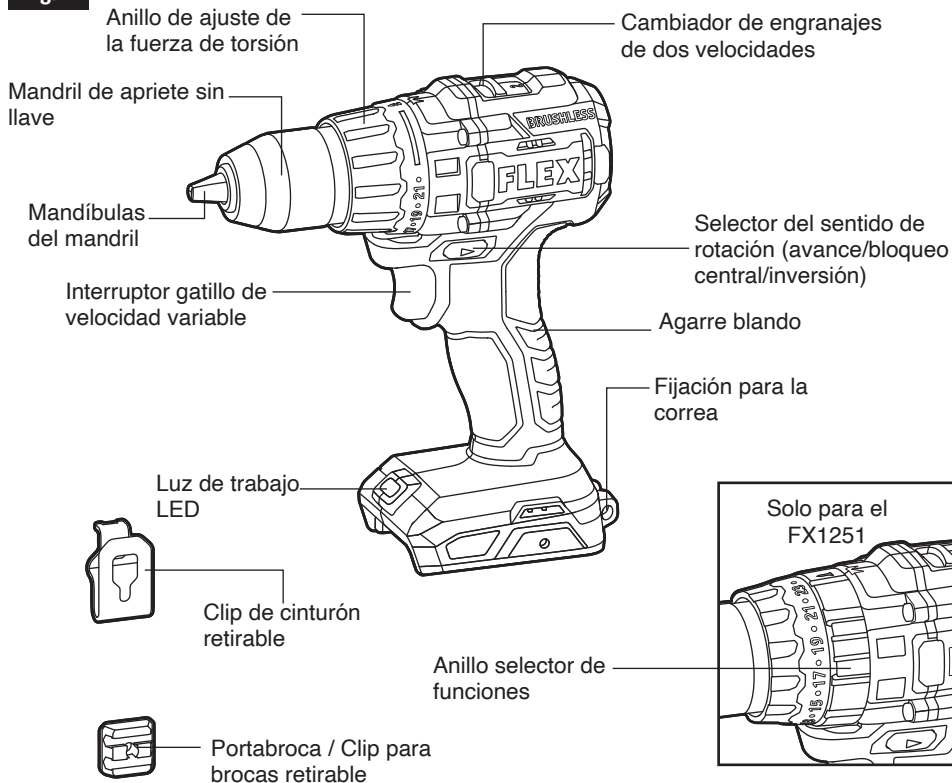
SÍMBOLOS (INFORMACIÓN DE CERTIFICACIÓN)




Símbolo	Designación/Explicación
	Este símbolo designa que esta herramienta está incluida en la lista de Underwriters Laboratories.
	Este símbolo designa que esta herramienta es reconocida por Underwriters Laboratories.
	Este símbolo designa que esta herramienta está incluida en la lista de Underwriters Laboratories, conforme a las normas de Estados Unidos y Canadá.
	Este símbolo designa que esta herramienta está incluida en la lista de Canadian Standards Association.
	Este símbolo designa que esta herramienta está incluida en la lista de Canadian Standards Association, conforme a las normas de Estados Unidos y Canadá.
	Este símbolo designa que esta herramienta está incluida en la lista de Intertek Testing Services, conforme a las normas de Estados Unidos y Canadá.

DESCRIPCIÓN FUNCIONAL Y ESPECIFICACIONES

Taladro atornillador / taladro de percusión

Fig. 1



Núm. de modelo	Taladro atornillador FX1151	Taladro de percusión FX1251
Tensión nominal	24 V c.c.	
Capacidad de mandríl	1/2 pulgada (13 mm)	
Velocidad sin carga	0 – 600 / 0-2200 /min (RPM)	
Frecuencia de impacto	N/A	0-9600 / 0 – 35200 /min (GPM)
Fuerza de torsión máxima	750 pulgadas-lb	750 pulgadas-lb
Posiciones de embrague	22+ 	24+  + 
Temperatura de funcionamiento recomendada	-4 – 104° F / -20 – 40°C	
Temperatura de almacenamiento recomendada	< 122° F / < 50° C	

ENSAMBLAJE

⚠ ADVERTENCIA Retire el paquete de batería de la herramienta antes de hacer cualquier ensamblaje o ajuste, o cambiar accesorios. Dichas medidas preventivas de seguridad reducen el riesgo de arrancar accidentalmente la herramienta.

PARA INSTALAR/DESINSTALAR EL PAQUETE DE BATERÍA (FIG. 2)

Bloquee el interruptor gatillo de velocidad variable en la posición de "APAGADO" de la herramienta colocando el selector del sentido de rotación (avance/bloqueo central/inversión) en la posición central antes de instalar o desinstalar el paquete de batería.

Para instalar el paquete de batería:

Alinee la costilla en relieve ubicada en el paquete de batería con las ranuras ubicadas en la herramienta y luego deslice el paquete de batería sobre la herramienta.

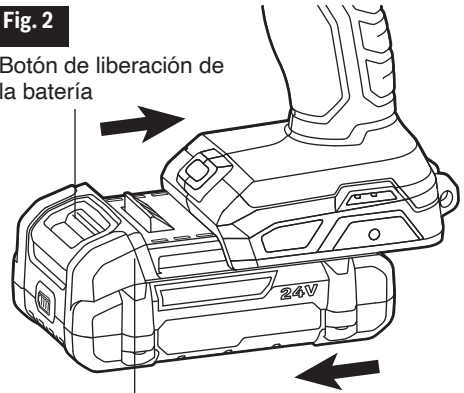
AVISO: Cuando coloque el paquete de batería sobre la herramienta, asegúrese de que la costilla en relieve ubicada en el paquete de batería se alinee con la ranura ubicada dentro de la herramienta y que los pestillos se acoplen a presión en la posición correcta. Una instalación incorrecta del paquete de batería puede causar daños a los componentes internos.

Para desinstalar el paquete de batería:

Presione el botón de liberación de la batería ubicado en la parte delantera del paquete de batería para liberar dicho paquete. Jale hacia fuera el paquete de batería y retírelo de la herramienta.

Fig. 2

Botón de liberación de la batería



Paquete de batería

⚠ ADVERTENCIA Las herramientas a batería siempre están en condiciones de funcionamiento. Por lo tanto, el selector del sentido de rotación (avance/ bloqueo central/inversión) deberá estar siempre bloqueado en la posición central cuando la herramienta no se esté utilizando o cuando usted la transporte a su lado.

⚠ ADVERTENCIA No intente modificar esta herramienta ni crear accesorios no recomendados para utilizarse con esta herramienta. Cualquiera de dichas alteraciones o modificaciones constituye un uso incorrecto y podría provocar una situación peligrosa que cause posibles lesiones graves.

INSTALE Y RETIRE LAS BROCAS (FIG. 3, 4 Y 5)

⚠ ADVERTENCIA No utilice la herramienta mientras esté agarrando el mandril para aflojar o apretar las mandíbulas del mandril sobre la broca. Es posible que se produzcan quemaduras por fricción o lesiones en las manos si intenta agarrar el mandril que gira.

⚠ ADVERTENCIA No utilice brocas con vástagos dañados.

Su herramienta este equipada con un mandril de apriete sin llave para apretar las brocas en las mandíbulas del mandril o soltarlas de las mismas. Las flechas ubicadas en el mandril indican el sentido en que el cuerpo del mandril rotará para apretar o liberar las mandíbulas del mandril sobre la broca.

Para instalar la broca:

- Bloquee el interruptor gatillo de velocidad variable en la posición de "APAGADO" de la herramienta colocando el selector del sentido de rotación en la posición central.
- Retire el paquete de batería y seleccione la posición de Taladro. (Consulte el capítulo "ANILLO SELECTOR DE FUNCIONES Y ANILLO DE AJUSTE DE LA FUERZA DE TORSIÓN").
- Rote el cuerpo del mandril en sentido contrario al de las agujas del reloj, según se ve desde el extremo del mandril, para abrir el mandril hasta aproximadamente el diámetro de la broca.
- Inserte una broca limpia hasta las estrías de la broca taladradora en el caso de brocas pequeñas o tanto como se pueda en el caso de brocas más grandes (Fig. 3).
- Cierre el mandril rotando el cuerpo del mandril en el sentido de las agujas del reloj y apriételo firmemente a mano (Fig. 4).

Para desinstalar la broca:

- Rote el cuerpo del mandril en sentido contrario al de las agujas del reloj, según se ve desde el extremo del mandril, para abrir el mandril.
- Retire la broca.

Fig. 3

Mandril de apriete sin llave

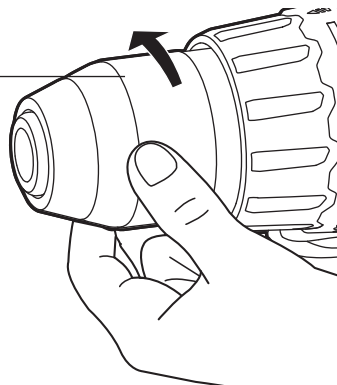


Fig. 4

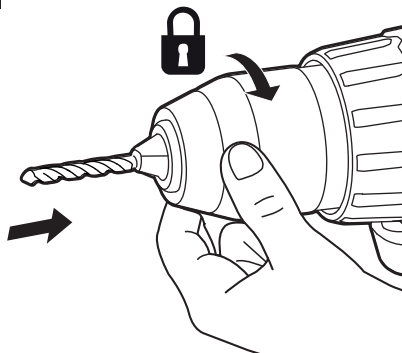
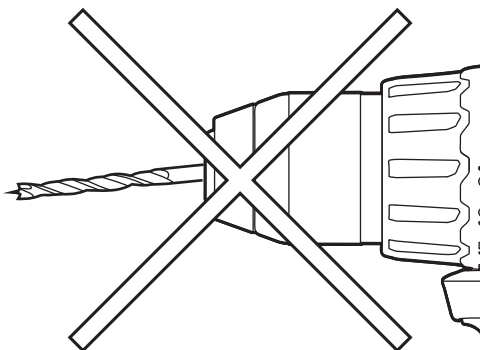


Fig. 5



⚠ ADVERTENCIA Asegúrese de insertar la broca taladradora directamente en las mandíbulas del mandril. No inserte la broca taladradora en las mandíbulas del mandril en ángulo y luego apriete el mandril de la manera que se muestra en la Fig. 5. Esto podría hacer que la broca taladradora sea lanzada al aire por la herramienta y tener como resultado posibles lesiones corporales graves o daños al mandril.

⚠ ADVERTENCIA Use guantes protectores cuando retire la broca de la herramienta o deje primero que la broca se enfríe. Es posible que la broca esté caliente después de un uso prolongado.

CLIP DE CINTURÓN RETIRABLE (FIG. 6)

Su herramienta está equipada con un clip de cinturón retirable, que se puede posicionar en el lado izquierdo o derecho de la herramienta para permitir un transporte conveniente.

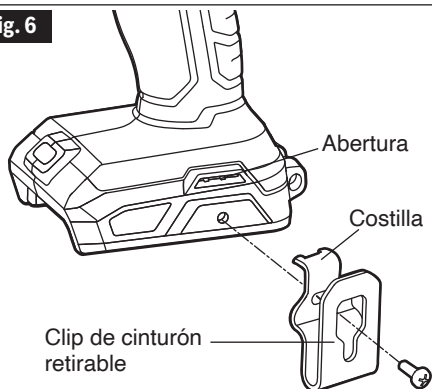
Instale el clip de cinturón en la herramienta:

- Retire el paquete de batería de la herramienta.
- Alinee la costilla y el agujero del clip de cinturón con la abertura y el agujero roscado ubicados en la base de la herramienta, respectivamente.
- Inserte el tornillo y apriételo firmemente con un destornillador (no incluido).

Retire el clip de cinturón de la herramienta:

- Retire el paquete de batería de la herramienta.
- Utilice un destornillador para aflojar el tornillo que sujeta el clip de cinturón a la herramienta.
- Retire el tornillo y el clip de cinturón.

Fig. 6



CLIP PARA BROCAS RETIRABLE (FIG. 7)

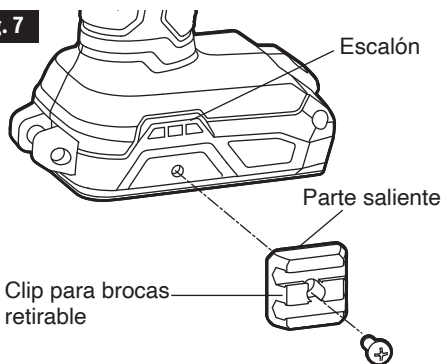
Su herramienta también está equipada con un clip para brocas retirable que se puede posicionar en el lado izquierdo o derecho de la herramienta para almacenar brocas.

Instale el clip para brocas en la herramienta:

- Retire el paquete de batería de la herramienta.
- Alinee el agujero del clip para brocas con el agujero roscado ubicado en la base de la herramienta.

AVISO: Asegúrese de que la parte que sobresale del clip para brocas esté al ras contra el escalón ubicado en la base de la herramienta para que se mantenga firme.

Fig. 7



c. Inserte el tornillo y apriételo firmemente con un destornillador (no incluido).

Retire el clip para brocas de la herramienta:

a. Retire el paquete de batería de la herramienta.

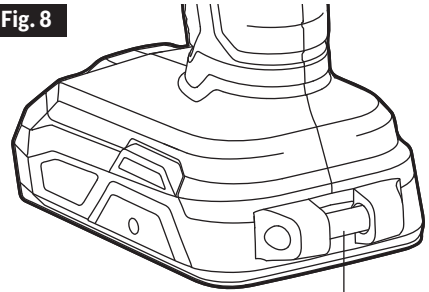
b. Utilice un destornillador para aflojar el tornillo que sujeta el clip para brocas a la llave de impacto.

c. Retire el tornillo y el clip para brocas.

INSTALACIÓN DE UNA CORREA (FIG. 8)

Se proporciona una fijación para la correa con el fin de instalar una correa para la muñeca (no incluida) para reducir las probabilidades de dejar caer la herramienta. Sujete la correa alrededor de la mano cuando transporte la herramienta.

Fig. 8



Fijación para la correa

AJUSTES

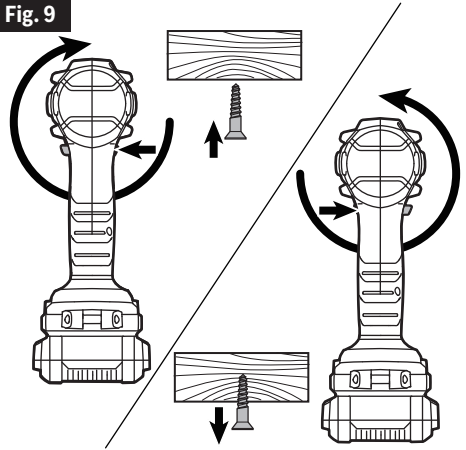
SELECTOR DEL SENTIDO DE ROTACIÓN (AVANCE/ BLOQUEO CENTRAL/INVERSIÓN) (FIG. 9)

⚠ ADVERTENCIA Después de utilizar la herramienta, bloquee el selector del sentido de rotación en la posición de “APAGADO” (bloqueo central) para ayudar a prevenir los arranques accidentales y posibles lesiones.

Su herramienta está equipada con un selector del sentido de rotación, ubicado encima del interruptor gatillo de velocidad variable. Este selector se utiliza para cambiar el sentido de rotación de la broca y para bloquear el gatillo de velocidad variable en la posición de “APAGADO” (bloqueo central).

- Posicione el selector del sentido de rotación completamente hacia la izquierda de la herramienta para apretar tornillos o taladrar agujeros (Fig. 9).
- Posicione el selector del sentido de rotación completamente hacia la derecha de la herramienta para sacar tornillos (Fig. 9).
- Posicione el interruptor en la posición de “APAGADO” (bloqueo central) para ayudar a reducir la posibilidad de arranques accidentales cuando la herramienta no se esté utilizando.

Fig. 9



AVISO: Para prevenir daños a los engranajes, deje siempre que la herramienta se detenga por completo antes de cambiar el sentido de rotación.

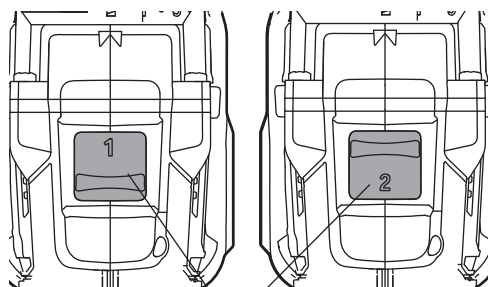
AVISO: La herramienta no funcionará a menos que el selector del sentido de rotación esté completamente acoplado hacia la izquierda o hacia la derecha.

CAMBIADOR DE ENGRANAJES DE DOS VELOCIDADES (FIG. 10)

Su herramienta está equipada con una caja de engranajes de dos velocidades diseñada para funcionar con dos engranajes distintos. El cambiador está ubicado en la parte superior de la herramienta y permite cambiar entre los engranajes “1” y “2”.

- El engranaje “1” proporciona una fuerza de torsión más alta y velocidades más lentas para realizar trabajo de servicio pesado o para apretar tornillos, taladrar agujeros de diámetro grande o hacer roscas. Utilice el modo “1” para iniciar agujeros sin un punzón centrador, taladrar metales o plástico, taladrar materiales cerámicos o en aplicaciones que requieran una fuerza de torsión más alta.
- El engranaje “2” proporciona una fuerza de torsión más baja y velocidades más rápidas para realizar taladrado de percusión (modelo FX1251 solamente) o trabajo de taladrado más ligero. La velocidad del engranaje “2” es más adecuada para taladrar madera y materiales compuestos de madera, así como para utilizar accesorios abrasivos y de pulir.

Fig. 10



Cambiador De Engranajes De Dos Velocidades

AVISO: Para prevenir daños a los engranajes, deje siempre que la herramienta se detenga por completo antes de cambiar engranajes.

ANILLO SELECTOR DE FUNCIONES (MODELO FX1251 SOLAMENTE) Y ANILLO DE AJUSTE DE LA FUERZA DE TORSIÓN (FIG. 11 Y 12)

⚠ ADVERTENCIA No ajuste el anillo de ajuste de la fuerza de torsión o selector de funciones cuando la herramienta esté en funcionamiento.

Su herramienta está equipada con un anillo selector de funciones (modelo FX1251 solamente) y un anillo de ajuste de la fuerza de torsión para diversas aplicaciones. Mueva el anillo dependiendo de los requisitos de la tarea que vaya a realizar.

El ajuste adecuado depende del trabajo y del tipo de broca, del sujetador y del material en el que se vaya a trabajar. En general, utilice una fuerza de torsión más grande para tornillos más grandes. Si la fuerza de torsión es demasiado alta, es posible que los tornillos se dañen o se rompan.

Modelo FX1151 (Fig. 11):

Su herramienta cuenta con 23 ajustes de fuerza


Fig. 11



Anillo de ajuste de la fuerza de torsión


de torsión y 1 ajuste de apriete. La fuerza de torsión de salida aumentará a medida que el anillo se rote de 1 a 23.


Ajuste la fuerza de torsión rotando el anillo de ajuste de la fuerza de torsión. Cuanto más alto sea el ajuste de la fuerza de torsión, más fuerza producirá la herramienta para hacer girar un objeto.

El ajuste de Taladro  bloqueará el embrague para permitir taladrar y realizar otras aplicaciones de servicio pesado.

Modelo FX1251 (vea la Fig. 12):

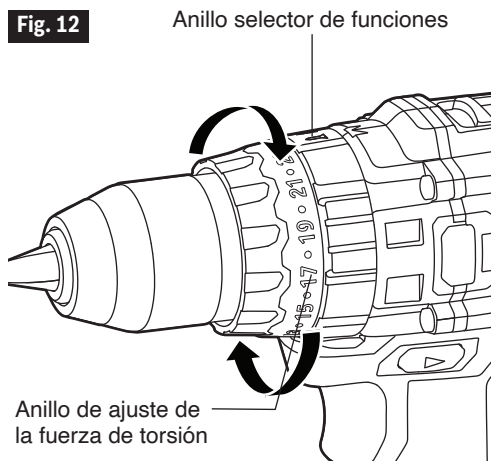
Su herramienta cuenta con 23 ajustes de fuerza de torsión, 1 ajuste de taladrado y 1 ajuste de taladrado de percusión. La fuerza de torsión aumentará a medida que el anillo se rote de 1 a 24.

El ajuste de Taladro  bloqueará el embrague para permitir realizar taladrado (que no sea de percusión) y otras aplicaciones de servicio pesado.

El ajuste de Taladrado de percusión  bloqueará el embrague para permitir realizar solo taladrado de percusión.

AVISO: No utilice el ajuste de taladrado de percusión para taladrar en madera, metal, cerámica y plástico para evitar que la broca taladradora/atornilladora se dañe.

Fig. 12



LUZ LED (FIG. 13)

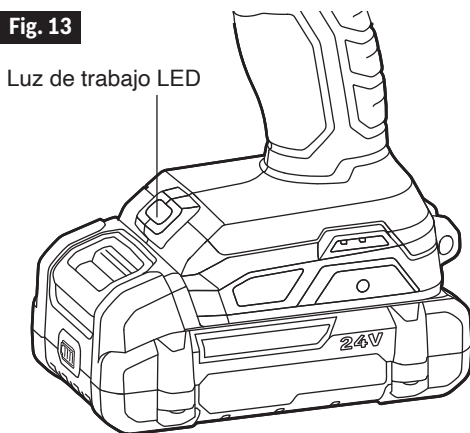
Su herramienta está equipada con una luz LED, ubicada en la base de la misma. Esto proporciona iluminación adicional sobre la superficie de la pieza de trabajo para operar en áreas con menor iluminación.

La luz LED se encenderá automáticamente con una ligera compresión del interruptor gatillo de velocidad variable antes de que la herramienta comience a funcionar y se apagará aproximadamente 10 segundos después de soltar el interruptor gatillo de velocidad variable.

La luz LED parpadeará rápidamente cuando la herramienta y/o el paquete de batería se sobrecarguen o estén demasiado calientes, y los sensores internos apagarán la herramienta. Deje descansar la herramienta por un tiempo o coloque la herramienta y el paquete de batería por separado bajo una corriente de aire para enfriarlas.

La luz LED parpadeará más lentamente para indicar que la batería está en un nivel de capacidad bajo. Recargue el paquete de batería.

Fig. 13



INSTRUCCIONES DE UTILIZACIÓN

⚠ ADVERTENCIA Para reducir el riesgo de incendio, lesiones corporales y daños al producto debido a un cortocircuito, no sumerja nunca su herramienta, el paquete de batería o el cargador en un líquido ni deje que un líquido fluya en su interior. Los líquidos corrosivos o conductores, tales como agua de mar, ciertas sustancias químicas industriales y el blanqueador o los productos que contienen blanqueador, etc., pueden causar un cortocircuito.

INTERRUPTOR GATILLO DE VELOCIDAD VARIABLE (FIG. 14)

Su herramienta está equipada con un interruptor gatillo de velocidad variable. La herramienta se puede “ENCENDER” o “APAGAR” presionando o soltando el interruptor gatillo de velocidad variable.

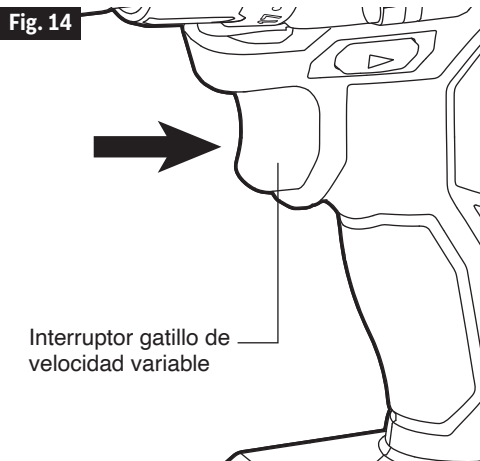
El interruptor gatillo de velocidad variable produce la velocidad más alta con una presión mayor sobre el gatillo y una velocidad más baja con una presión menor sobre el gatillo.

⚠ ADVERTENCIA Si cualquiera de las piezas está dañada o falta, no utilice este producto hasta que las piezas hayan sido reemplazadas. La utilización de este producto con piezas dañadas o si le faltan piezas podría causar lesiones corporales graves.

Este taladro atornillador/ taladro de percusión se debe utilizar solo con los paquetes de batería y los cargadores que se indican a continuación:

Paquete de batería				Cargador	
2.5Ah	5Ah	8Ah	12Ah		
FLEX FX0111	FLEX FX0121	FLEX FX0221	FLEX FX0231	FLEX FX0411	FLEX FX0421

AVISO: Sírvase consultar los manuales del paquete de batería y del cargador para obtener información detallada de utilización.



⚠ ADVERTENCIA Para prevenir arranques accidentales que podrían causar lesiones corporales graves, retire siempre el paquete de batería de la herramienta cuando ensamble piezas.

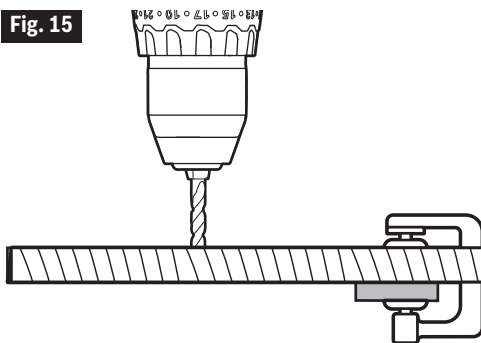
TALADRADO (FIG. 15)



ADVERTENCIA Use siempre anteojos de seguridad o gafas de seguridad con escudos laterales durante la utilización de la herramienta eléctrica o cuando sople polvo. Si la operación genera grandes cantidades de polvo, use también una máscara antipolvo.

- Compruebe que el selector del sentido de rotación esté en la posición correcta (avance o inversión).
- Fije el material que se vaya a taladrar en una prensa de tornillo o con abrazaderas para evitar que gire a medida que la broca taladradora rota.
- Agarre firmemente el taladro y coloque la broca en el punto que se vaya a taladrar.
- Presione el interruptor gatillo de velocidad variable para arrancar el taladro.
- Mueva la broca taladradora hacia la pieza de trabajo, aplicando solo suficiente presión para mantener la broca "penetrando". No fuerce el taladro ni aplique presión lateral para alargar un agujero. Deje que la herramienta haga el trabajo.
- Cuando taladre superficies lisas y duras, utilice un punzón centrador para marcar la ubicación deseada del agujero. Esto evitará que la broca taladradora resbale del centro y se desvíe a medida que el agujero al iniciar el agujero.
- Cuando taladre metales, utilice aceite ligero en la broca taladradora para evitar que se sobrecaliente. El aceite prolongará la vida útil de la broca y aumentará la eficacia de taladrado.

Fig. 15



- Si la broca se atora en la pieza de trabajo o si el taladro se detiene, pare inmediatamente la herramienta. Retire la broca de la pieza de trabajo y determine el motivo del atoramiento.

Hay dos reglas para taladrar materiales duros. Primero, cuanto más duro sea el material, mayor será la presión que será necesario aplicar a la herramienta. Segundo, cuanto más duro sea el material, más lenta deberá ser la velocidad. Si el agujero que se va a taladrar es grande, taladre primero un agujero más pequeño y luego agrándelo hasta el tamaño requerido con una broca más grande; a menudo esto es más rápido a largo plazo.

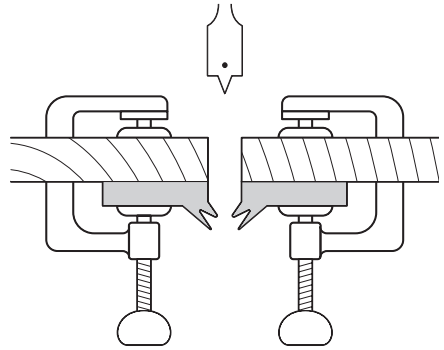
TALADRADO EN MADERA (FIG. 16)

Para obtener el máximo rendimiento, utilice brocas de acero de alta velocidad o de punta fina para taladrar madera.

- Comience a taladrar a una velocidad muy baja para evitar que la broca resbale y se desvíe del punto de inicio.
- Aumente la velocidad a medida que la broca taladradora penetre en el material.
- Cuando taladre agujeros “pasantes”, fije un bloque de madera detrás de la pieza de trabajo para evitar bordes irregulares o astillados en la parte trasera de la pieza de trabajo.

AVISO: Es posible que las brocas se sobrecalienten a menos que se inviertan y se saquen frecuentemente para eliminar las virutas de las estrías.

Fig. 16



TALADRADO EN METAL

Para obtener el máximo rendimiento, utilice brocas de acero de alta velocidad o de punta fina para taladrar en metal o en acero.

- Cuando taladre metales, utilice aceite ligero en la broca taladradora para evitar que se sobrecaliente. El aceite prolongará la vida útil de la broca y aumentará la eficacia de taladrado.
- Comience a taladrar a una velocidad muy baja para evitar que la broca resbale y se desvíe del punto de inicio.

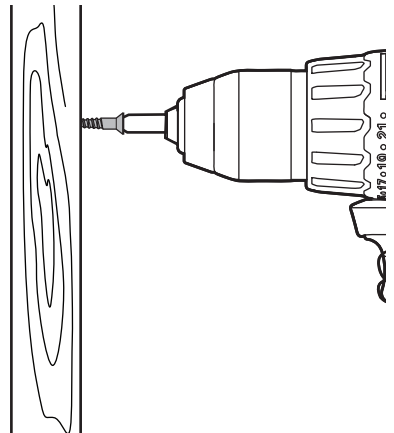
- Mantenga una velocidad y una presión que permitan cortar sin sobrecalentar la broca. La aplicación de demasiada presión:
 - Sobrecalentará el taladro.
 - Desgastará los rodamientos.
 - Doblará o quemará las brocas.
 - Producirá agujeros descentrados o con forma irregular.

APIRIETE DE TORNILLOS (FIG. 17)

Pruebe a usar tornillos tipo estándar para facilitar el apriete y mejorar el agarre.

- a. Instale la broca atornilladora correcta.
- b. Asegúrese de que el anillo de ajuste de la fuerza de torsión esté colocado en el ajuste más adecuado. En caso de duda, comience con un ajuste más bajo y aumente gradualmente el ajuste según sea necesario. No cambie el ajuste de fuerza de torsión cuando la herramienta esté en funcionamiento.

Fig. 17



- c. Utilice el engranaje correcto (“1” o “2”) para el trabajo que vaya a realizar y aplique inicialmente una presión mínima al interruptor gatillo de velocidad variable. Aumente la velocidad solo cuando se pueda mantener un control completo.
- d. Es aconsejable taladrar primero un agujero piloto. Este agujero deberá ser ligeramente más largo que el tornillo que se vaya a apretar y apenas más pequeño que el diámetro del vástago del tornillo. El agujero piloto actuará como guía para el tornillo y también hará que apretar el tornillo sea menos difícil. Cuando los tornillos estén posicionados cerca de un borde del material, un agujero piloto también ayudará a evitar que la madera se separe.
- e. Utilice una broca avellanadora (vendida por separado) para acomodar la cabeza del tornillo de manera que no sobresalga de la superficie.
- f. Mantenga suficiente presión sobre el taladro para evitar que la broca se salga de la cabeza del tornillo mientras gira. La cabeza del tornillo se puede dañar fácilmente, haciendo que sea difícil apretar por completo el tornillo o retirarlo.
- g. Para detener el taladro/atornillador, suelte el interruptor gatillo y deje que la herramienta se detenga por completo.

TALADRADO EN MAMPOSTERÍA (FX1251 SOLAMENTE) (FIG. 18)

Para obtener el máximo rendimiento, utilice brocas para mampostería con punta de carburo cuando taladre agujeros en ladrillo, baldosa, concreto, etc.

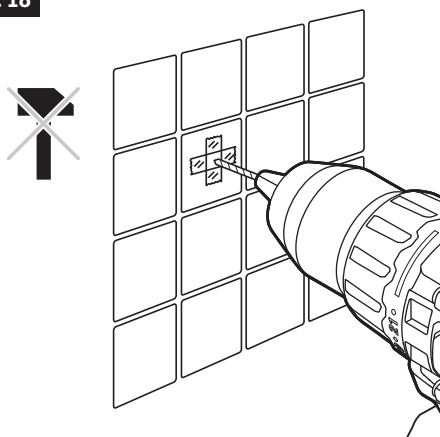
- Mantenga la velocidad y una presión que permitan taladrar sin sobrecalentar la broca o el taladro.

La aplicación de demasiada presión:

- Sobrecalentará el taladro.
- Desgastará los rodamientos.
- Doblará o quemará las brocas
- Producirá agujeros descentrados o con forma irregular.

- Aplique una presión ligera y una velocidad intermedia para obtener los mejores resultados en ladrillo.
- Aplique presión adicional para materiales duros, tales como concreto.
- Cuando taladre agujeros en baldosa, practique en un pedazo de material de desecho para determinar la mejor velocidad y la mejor presión. Para impedir que la broca taladradora patine / resbale, aplique primero dos pedazos de cinta de enmascarar para crear una forma de “X” sobre el punto de taladrado previsto (Fig. 18).
- Comience a taladrar a una velocidad muy baja para evitar que la broca resbale y se desvíe del punto de inicio.

Fig. 18



MANTENIMIENTO

⚠ ADVERTENCIA Para evitar lesiones corporales graves, retire siempre el paquete de batería de la herramienta cuando realice limpieza o efectúe cualquier mantenimiento.

SERVICIO DE AJUSTES Y REPARACIONES

⚠ ADVERTENCIA Es posible que el mantenimiento preventivo realizado por personal no autorizado dé lugar a una colocación incorrecta de los cables y componentes internos, lo cual podría causar un peligro grave. Recomendamos que todo el servicio de ajustes y reparaciones de la herramienta sea realizado por un Centro de Servicio de Fábrica FLEX o una Estación de Servicio FLEX Autorizada.

MANTENIMIENTO GENERAL

⚠ ADVERTENCIA Cuando haga servicio de ajustes y reparaciones, utilice únicamente piezas de repuesto idénticas. La utilización de cualquier otra pieza podría crear un peligro o causar daños al producto. Inspeccione periódicamente todo el producto para determinar si hay piezas dañadas, si faltan piezas o si hay piezas flojas, tales como tornillos, tuercas, pernos, tapas, etc. Apriete

firmente todos los sujetadores y todas las tapas, y no utilice este producto hasta que todas las piezas que falten o estén dañadas hayan sido reemplazadas. Sírvase contactar a servicio al cliente o a un centro de servicio autorizado para obtener asistencia.

LIMPIEZA

⚠ ADVERTENCIA La herramienta se puede limpiar con la máxima eficacia con aire comprimido seco. Use siempre anteojos de seguridad cuando limpie herramientas con aire comprimido. Las aberturas de ventilación y las palancas de interruptor se deben mantener limpias y libres de materia extraña. No intente limpiar la herramienta insertando objetos puntiagudos a través de las aberturas.

⚠ ADVERTENCIA Ciertos agentes de limpieza y solventes dañan las piezas de plástico. Algunos de estos son: gasolina, tetracloruro de carbono, solventes de limpieza clorados, amoníaco y detergentes domésticos que contienen amoníaco.

ALMACENAMIENTO

Almacene la herramienta en un lugar interior que sea inaccesible para los niños. Manténgala alejada de los agentes corrosivos.

ACCESORIOS

⚠ ADVERTENCIA Es posible que el uso de cualquier otro accesorio no especificado en este manual cree un peligro.

Mango auxiliar

Portabroca / Clip para brocas retirable

Clip de cinturón retirable

GARANTÍA LIMITADA DE 5 AÑOS FLEX

Chervon North America, Inc. (el “Vendedor”) garantiza, únicamente al comprador original, que todos los productos FLEX de 24 V estarán libres de defectos de material o de fabricación durante un período de cinco años a partir de la fecha de compra cuando el comprador original registre el producto dentro del plazo de 30 días después de la fecha de compra minorista original y retenga el recibo como comprobante de compra. EL PERÍODO DE GARANTÍA LIMITADA DE 5 AÑOS ESTÁ CONDICIONADO AL REGISTRO DEL PRODUCTO DENTRO DEL PLAZO DE 30 DÍAS DESPUÉS DE REALIZAR LA COMPRA Y SOLO ES APLICABLE A LAS HERRAMIENTAS, BATERÍAS Y CARGADORES FLEX DE 24 V. Si el comprador original no registra su producto dentro del plazo de 30 días, la garantía limitada que antecede tendrá aplicación durante un período de tres años. El registro del producto se puede completar en línea en www.registermyflex.com.

Herramientas de 24 V: Garantía Limitada de 5 Años con registro

Baterías y cargadores de 24 V: Garantía Limitada de 5 Años con registro

Productos FLEX Legacy alámbricos, de 12 V y de 20 V: Garantía Limitada de 1 Año. No hay beneficio de registro

Accesorios y aditamentos: No hay garantía

LA ÚNICA OBLIGACIÓN DEL VENDEDOR Y EL REMEDIO EXCLUSIVO PARA USTED bajo esta Garantía Limitada de 5 Años y, en la medida en que la ley lo permita, cualquier garantía o condición implícita por ley, será la reparación o el reemplazo de las piezas, sin cargo alguno, que presenten defectos de material o de fabricación y que no hayan sido utilizadas incorrectamente, manejadas descuidadamente o reparadas por personas que no sean un Distribuidor de Servicio Autorizado FLEX. Esta garantía no cubre la falla de piezas debida al desgaste por el uso normal. Para presentar un reclamo bajo esta garantía, devuelva el producto completo, con el transporte prepago, a cualquier Distribuidor de Servicio Autorizado FLEX. Para localizar los Distribuidores de Servicio FLEX Autorizados, sírvase visitar www.registermyflex.com o llamar al 1-833-FLEX-496 (1-833-353-9496).

Esta Garantía Limitada de 5 Años no se aplica a los accesorios, los aditamentos ni las piezas.

Cualquier garantía implícita aplicable a un producto estará limitada en duración a la misma duración que las garantías expresas aplicables a dicho producto, tal y como se establece en el primer párrafo que antecede. Algunos estados de los EE.UU. y algunas provincias canadienses no permiten limitaciones en cuanto a la duración de una garantía implícita, por lo que es posible que la limitación que antecede no tenga aplicación.

FLEX no es responsable por daños directos, indirectos, incidentales o emergentes. Algunos estados de los EE.UU. y algunas provincias canadienses no permiten limitaciones en cuanto a la duración de una garantía implícita y/o no permiten la exclusión o limitación de los daños incidentales o emergentes, por lo que es posible que las limitaciones o exclusiones que anteceden no tengan aplicación. Esta garantía limitada le confiere a usted derechos legales específicos y es posible que usted tenga también otros derechos que varían según el estado en los EE.UU. y según la provincia en Canadá.

Esta garantía limitada se aplica solo a los productos vendidos dentro de los Estados Unidos de América, Canadá y la mancomunidad de Puerto Rico. Para obtener cobertura de garantía en otros países, contacte a su distribuidor local de FLEX.

© Chervon North America, 1203 E. Warrenville Rd., Naperville, IL 60563

www.flexpowertools.com

www.registermyflex.com

1-833-FLEX-496 (1-833-353-9496)

Revisado 12/2020