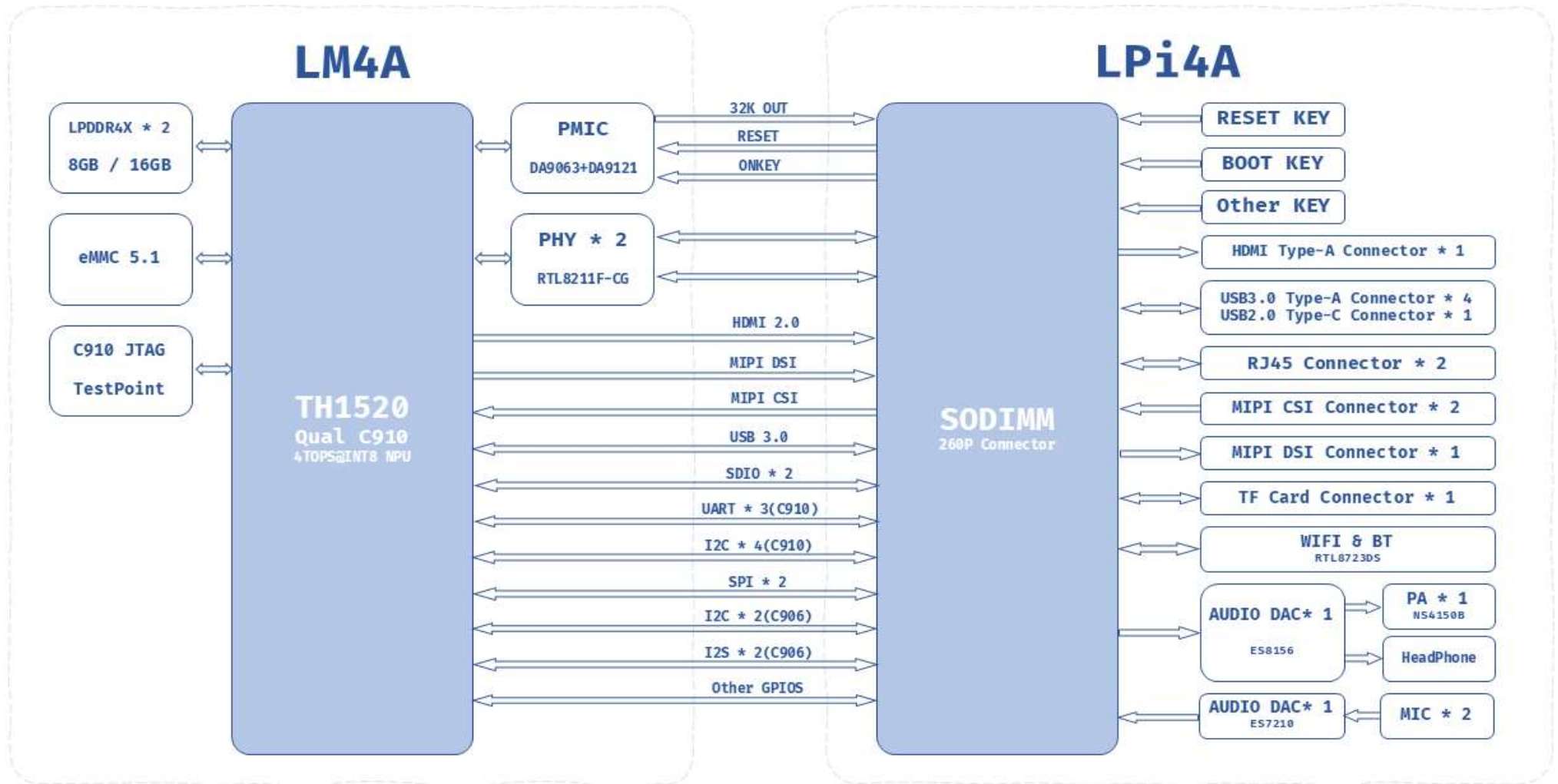
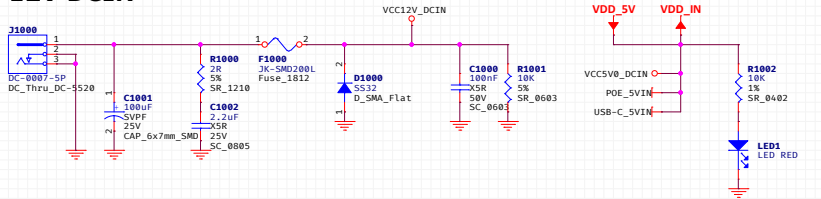


Block Diagram

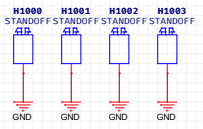
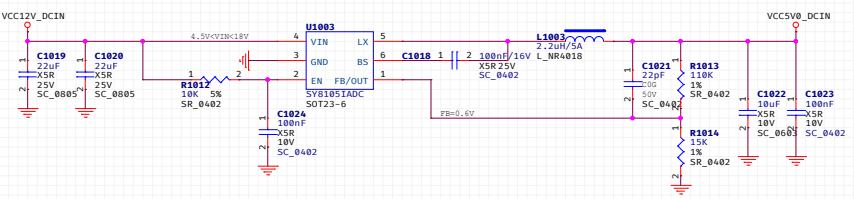
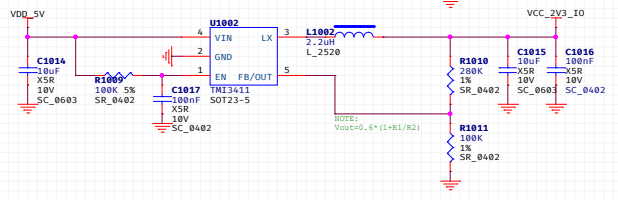
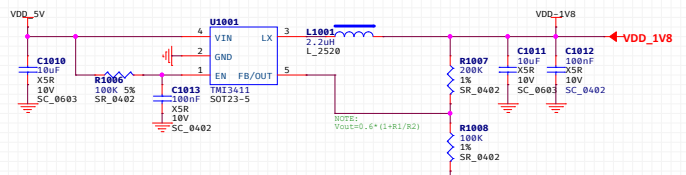
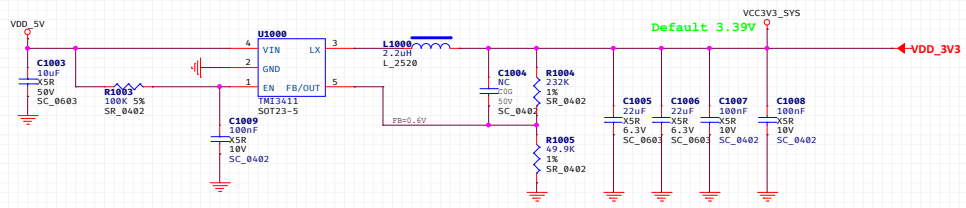


System Power Input

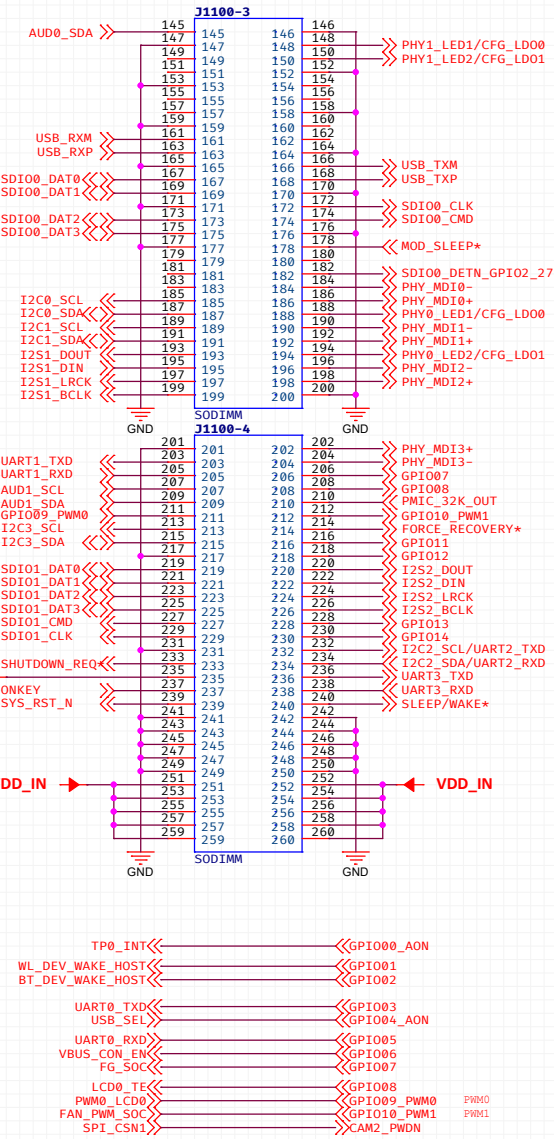
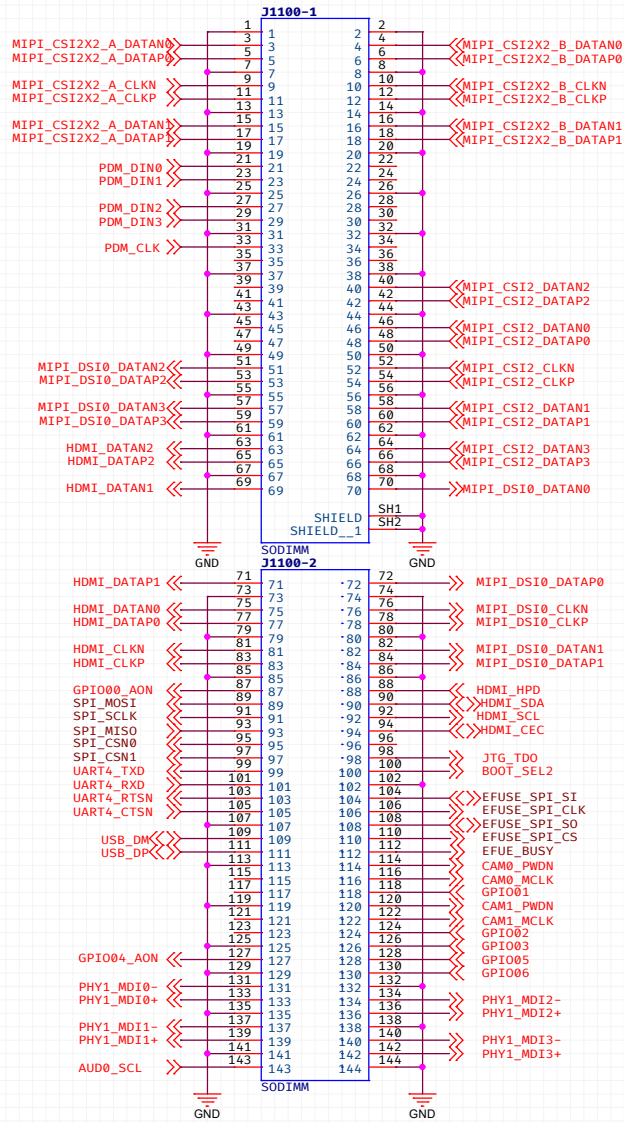
12V DCIN



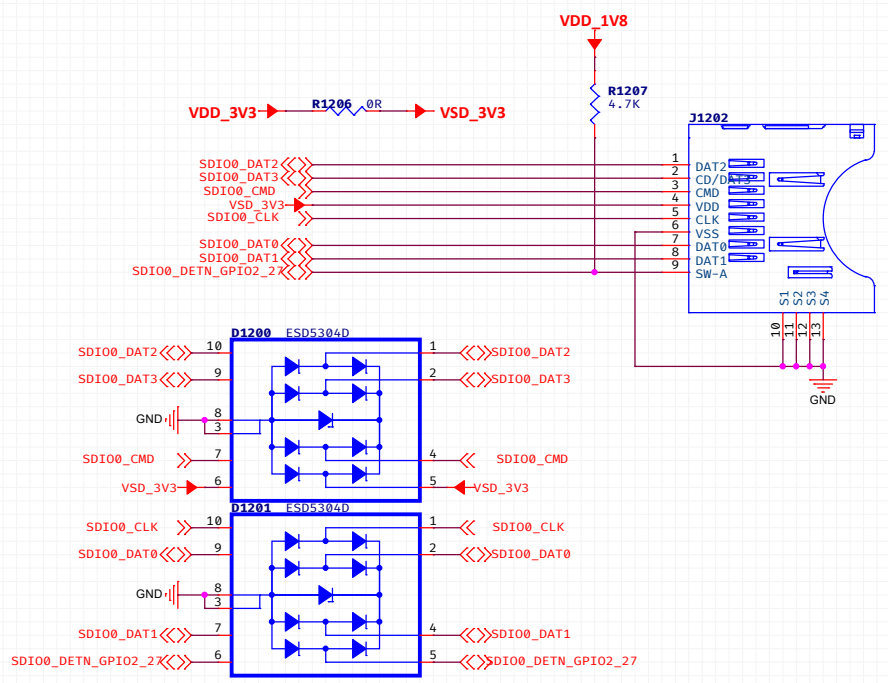
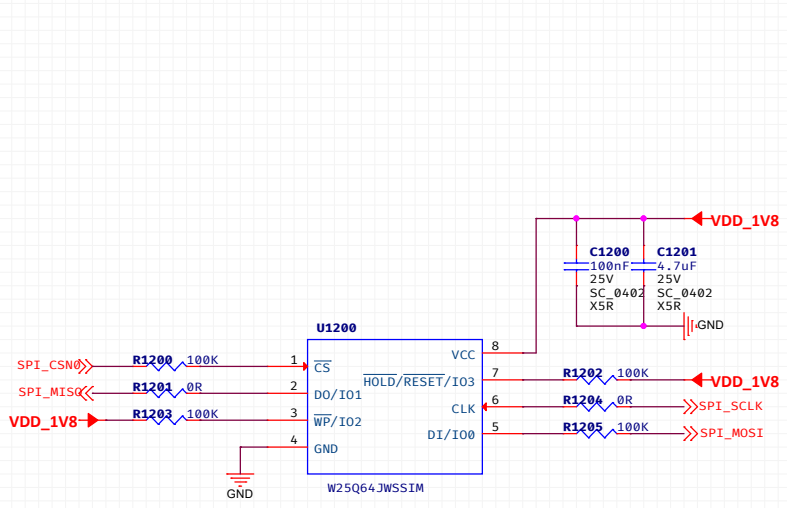
VCC3V3_SYS



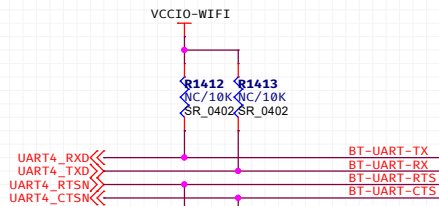
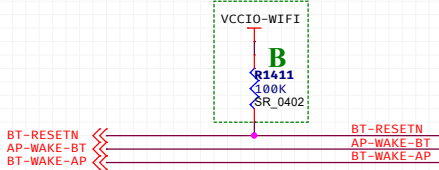
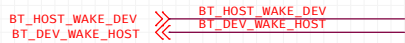
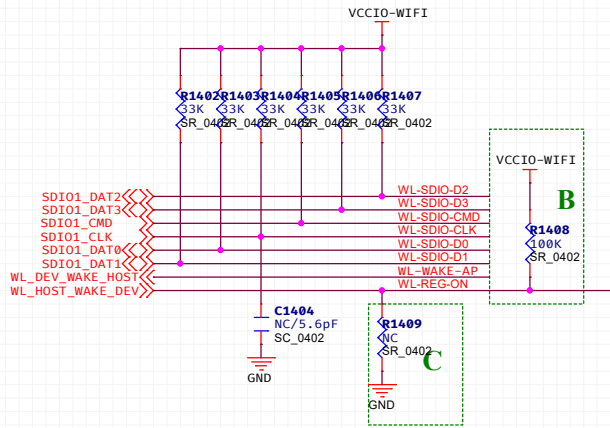
SODIMM Connector



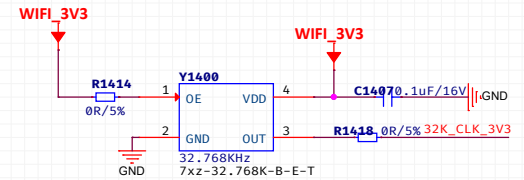
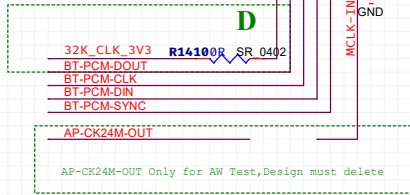
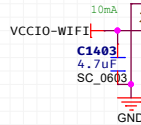
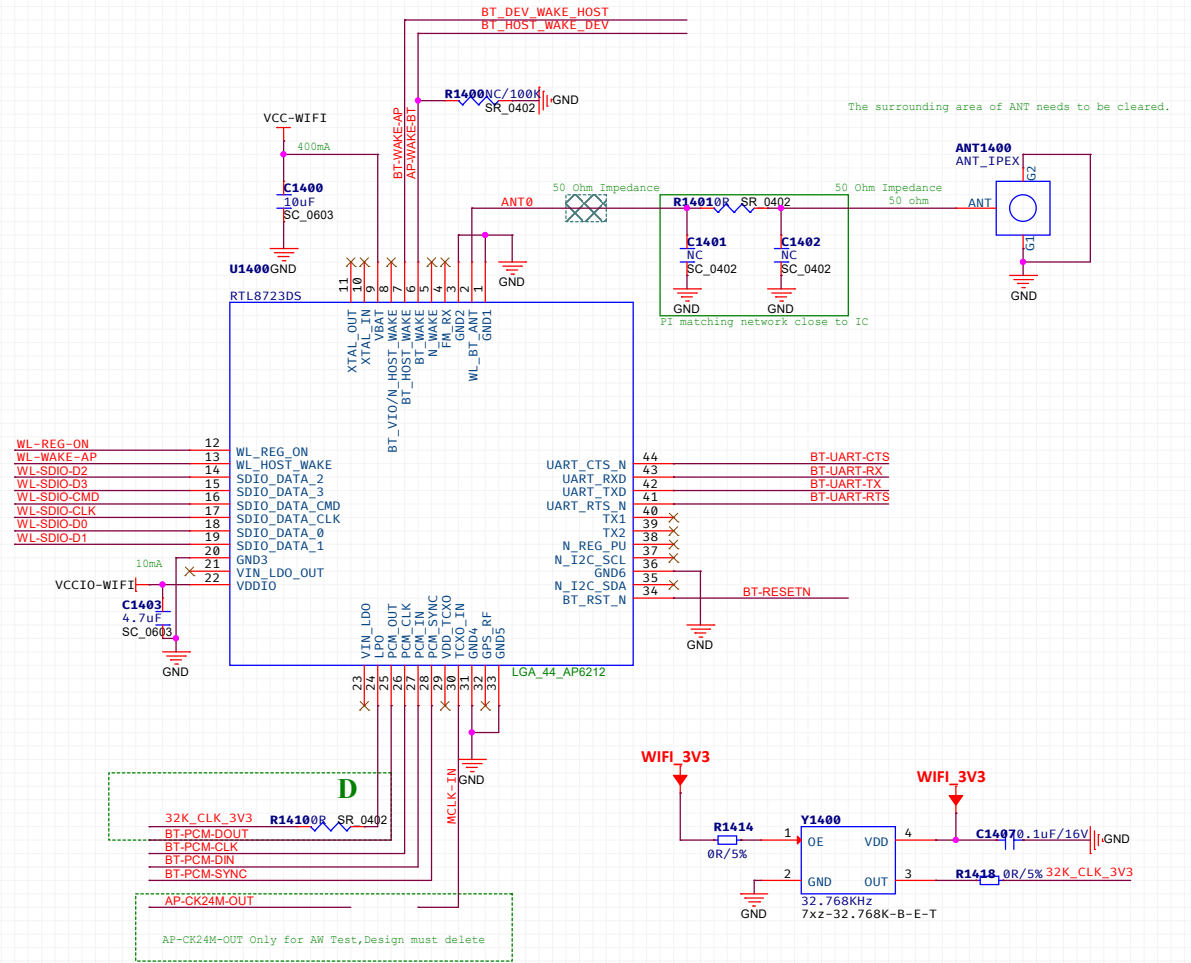
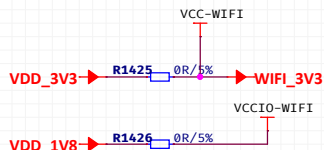
FLASH / SD Card



WIFI MODULE

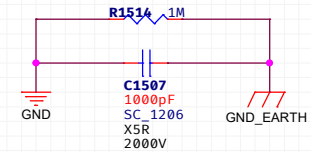
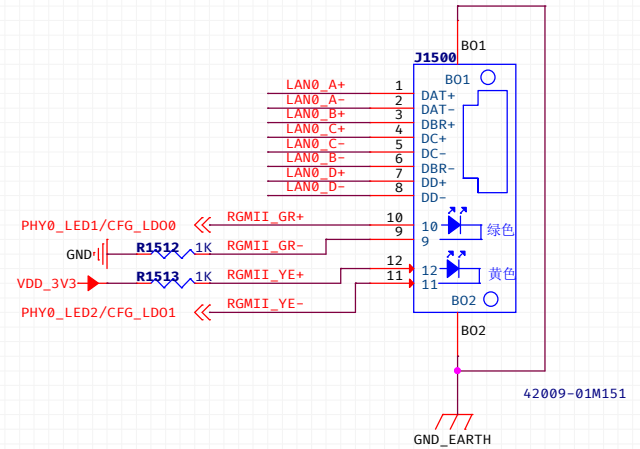
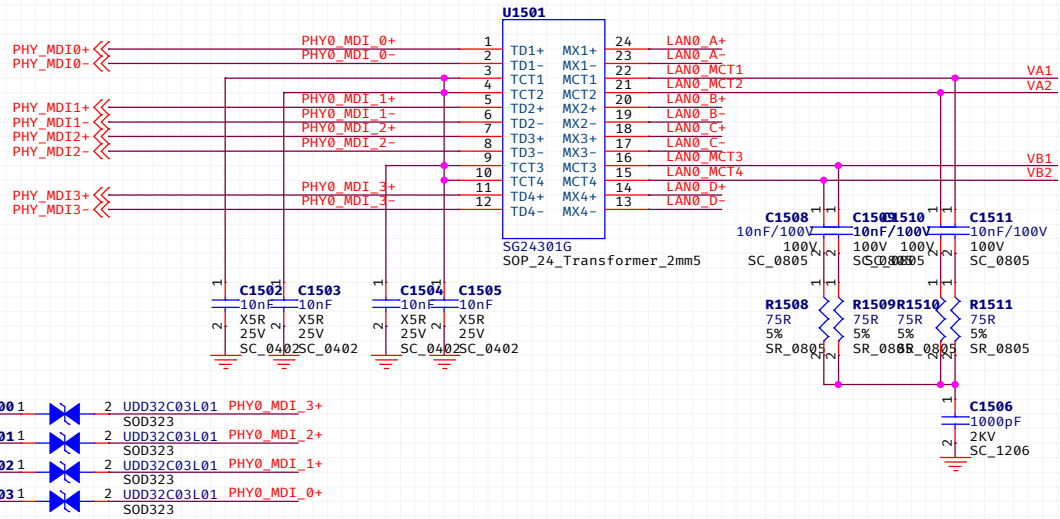
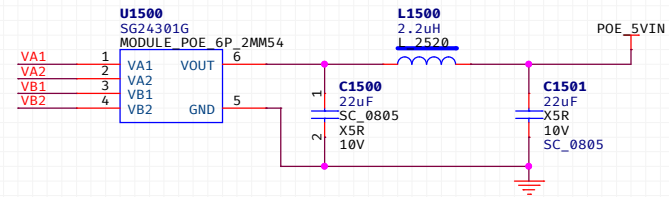


3.3V For WIFI



Page Name: WIFI/BT		
Size: A3	Project Name - Rev: SIPEED_LPi4A	Designer: zy
Date: Friday, April 28, 2023	Checker: <Checker>	Sheet: 14 of 25

GMAC Ethernet0



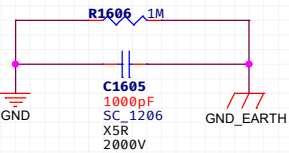
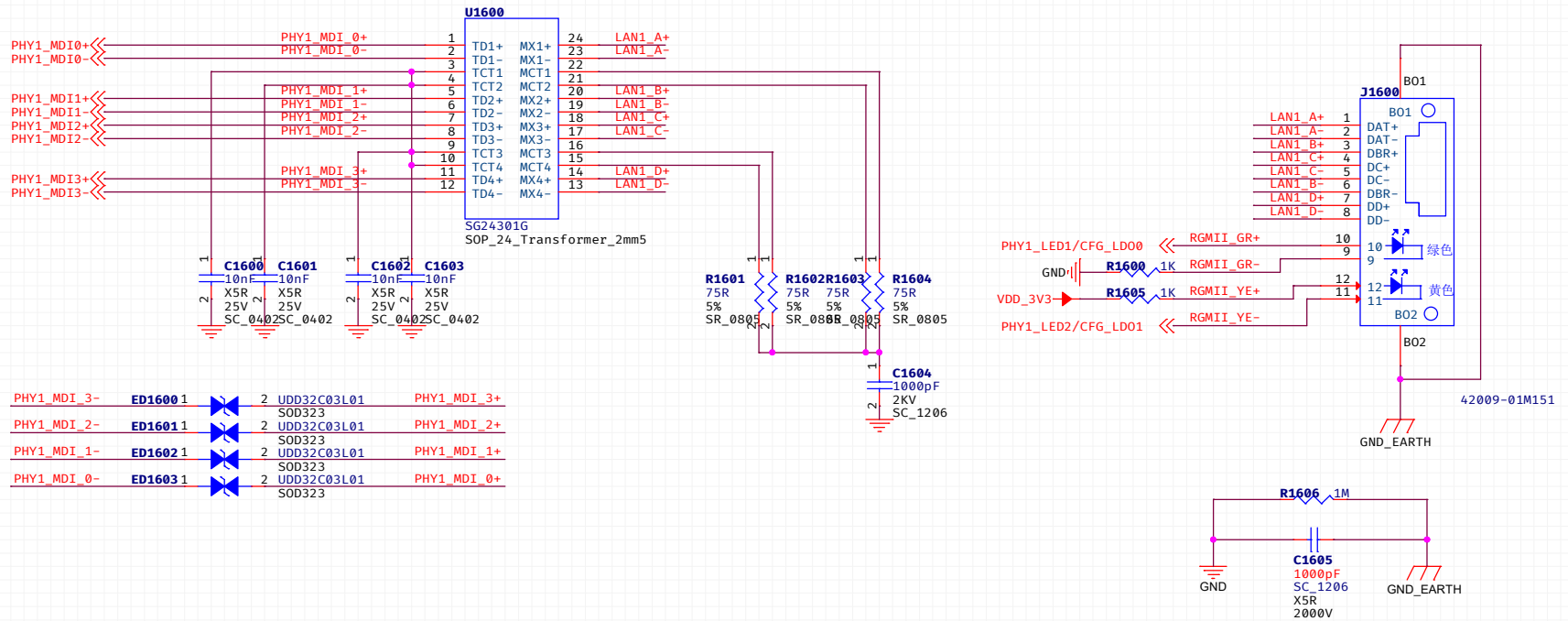
PHY0_MDI_3-	ED1500 1	2	UDD32C03L01	PHY0_MDI_3+
PHY0_MDI_2-	ED1501 1	2	UDD32C03L01	PHY0_MDI_2+
PHY0_MDI_1-	ED1502 1	2	UDD32C03L01	PHY0_MDI_1+
PHY0_MDI_0-	ED1503 1	2	UDD32C03L01	PHY0_MDI_0+

SIPEED 矽速科技

Page Name
GMAC Ethernet0

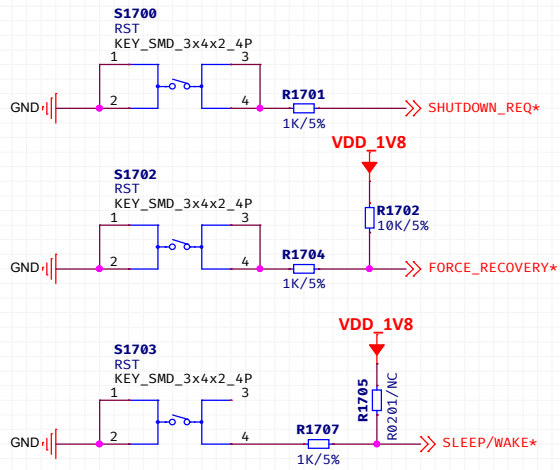
Size B	Project Name - Rev SIPEED_LP14A	Designer: <i>ZK</i>
Date: Thursday, April 27, 2023	Checker: <i>Checker</i>	Sheet 15 of 25

GMAC Ethernet1

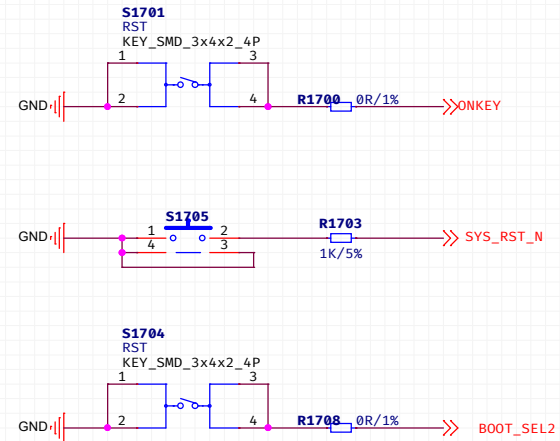


KEYPAD

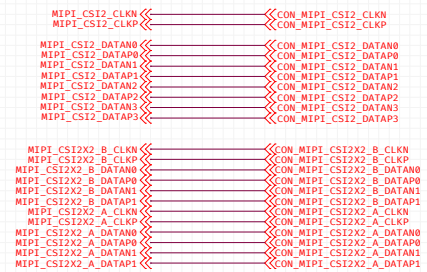
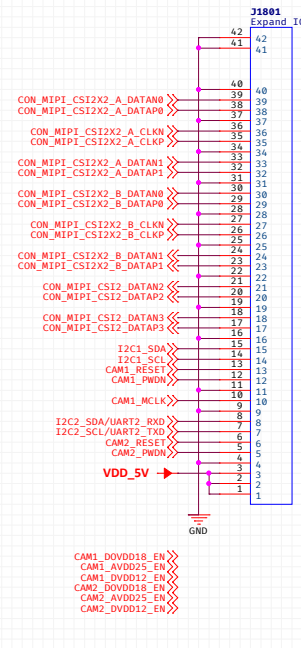
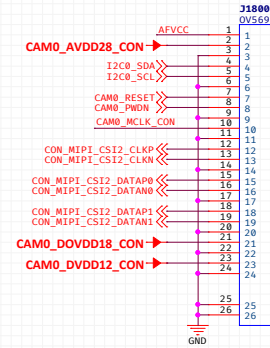
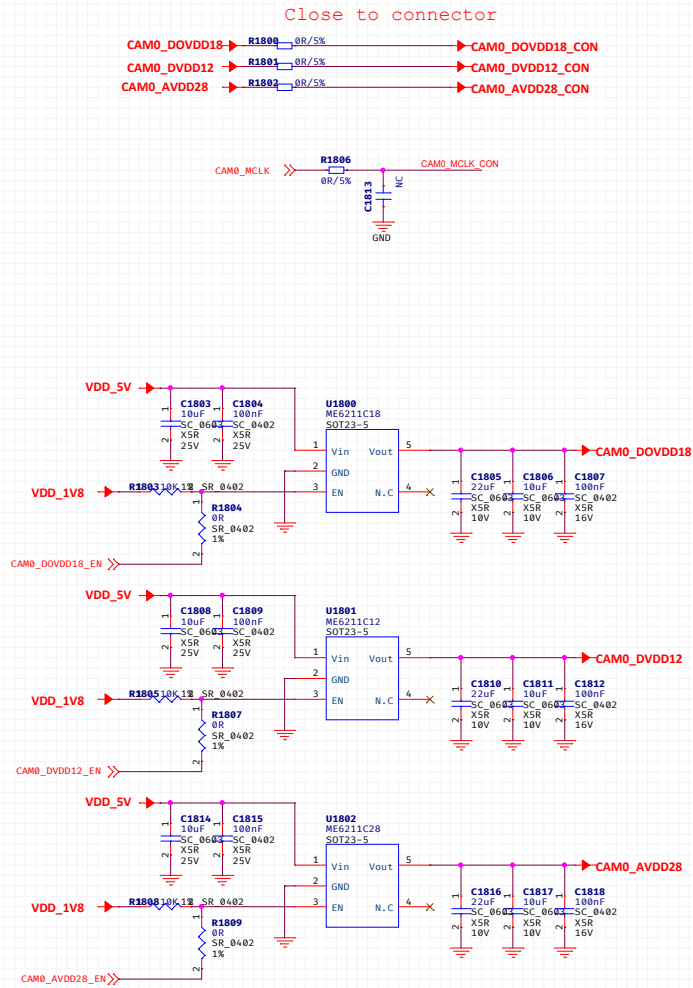
SOM has no pull-up or pull-down resistors



SOM has a pull-up resistors



MIPI CAMERA



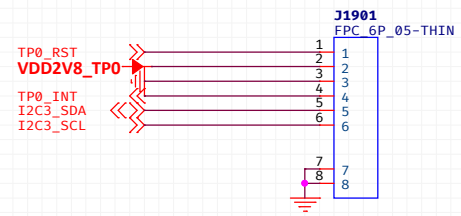
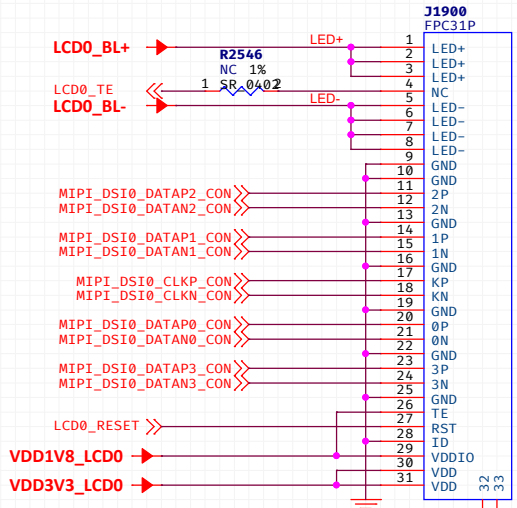
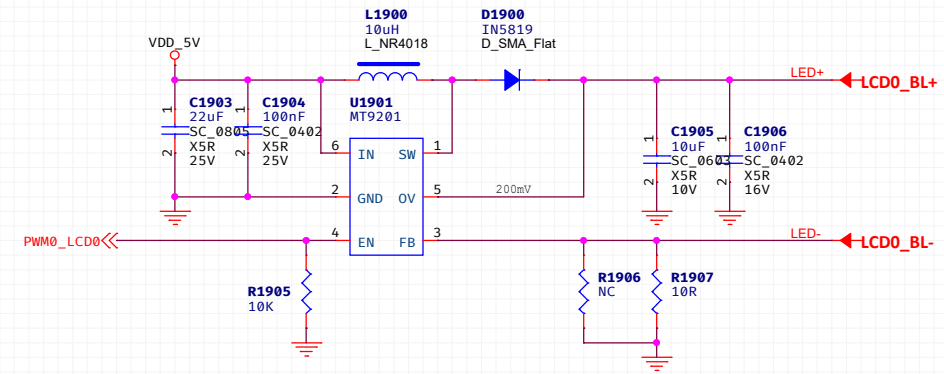
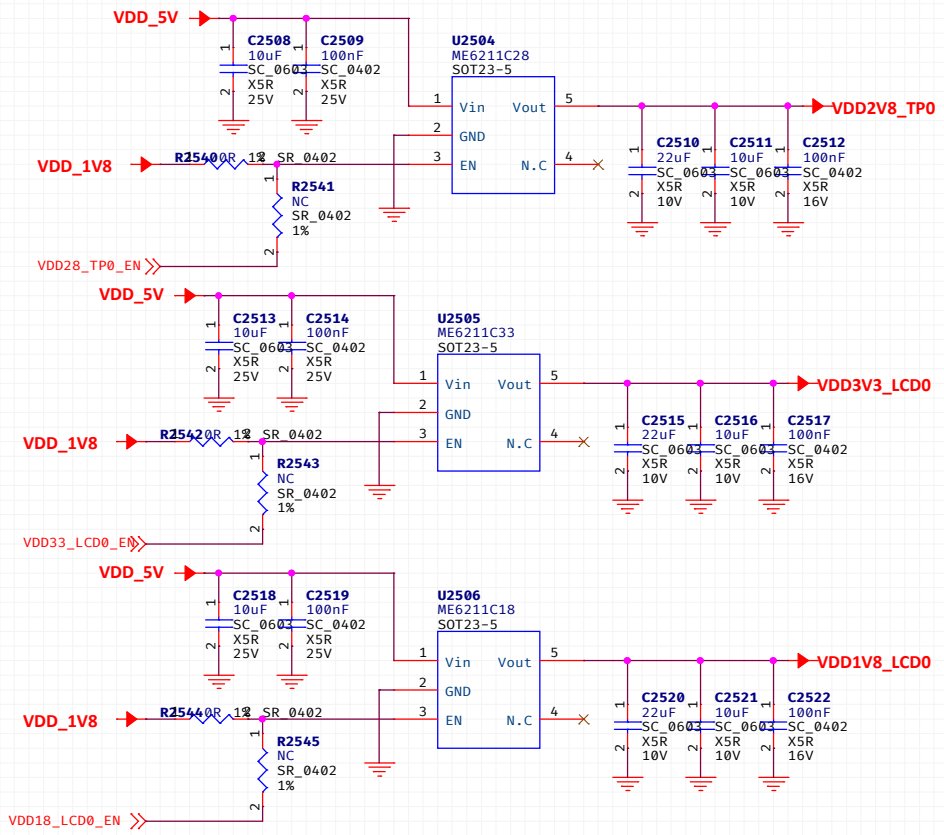
Camera Support List

I2C Address Table


MIPI PORT	I2C Port	Connector	Sensor	Module	I2C Address
CSI2	I2C0	BM20B(0.8)-30DS-0.4V	OV12870	C-CAM-STRO49A 4-Lane 12M RGB	0x20(0100000x)
			SSK4H7	PBS601439 4-Lane 8M RGB	0x20(0100000x)
			OV5693	C-CAM-STRO45A 2-Lane 5M RGB	0x6C(1101100x)
CSI2X2_A	I2C1	BM20B(0.8)-24DS-0.4V	SC132GS	C-CAM-STRO44B 2-Lane 1.3M IR	0x6E(1101110x)
CSI2X2_B	I2C2	BM20B(0.8)-24DS-0.4V	SC132GS	C-CAM-STRO44B 2-Lane 1.3M IR	0x6E(1101110x)

Power Difference:
 SC132GS AVDD25
 OV13371 AVDD28

MIPI DISPLAY

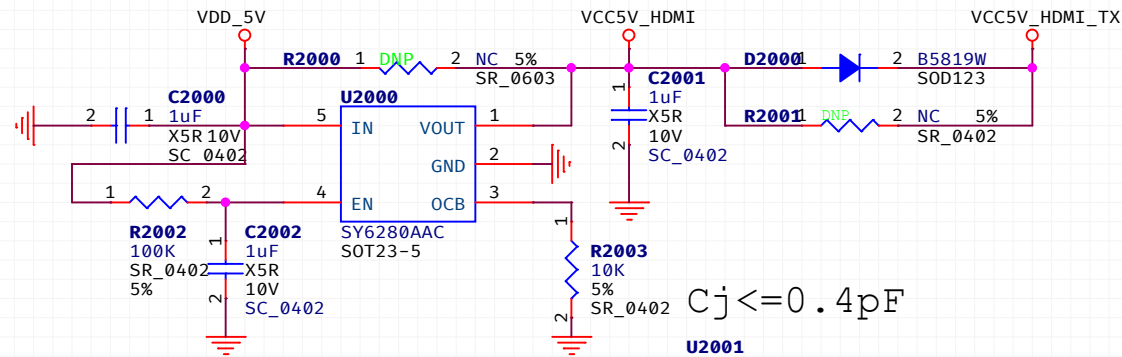
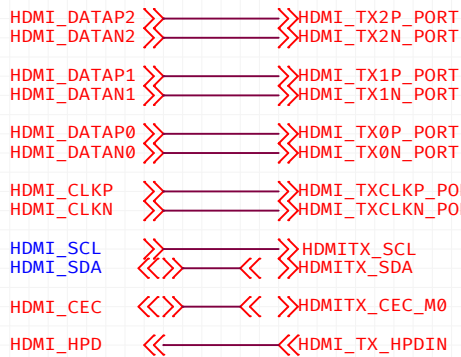


- MIPI_DSI0_CLKN <<< MIPI_DSI0_CLKN_CON
- MIPI_DSI0_CLKP <<< MIPI_DSI0_CLKP_CON
- MIPI_DSI0_DATAN0 <<< MIPI_DSI0_DATAN0_CON
- MIPI_DSI0_DATAP0 <<< MIPI_DSI0_DATAP0_CON
- MIPI_DSI0_DATAN1 <<< MIPI_DSI0_DATAN1_CON
- MIPI_DSI0_DATAP1 <<< MIPI_DSI0_DATAP1_CON
- MIPI_DSI0_DATAN2 <<< MIPI_DSI0_DATAN2_CON
- MIPI_DSI0_DATAP2 <<< MIPI_DSI0_DATAP2_CON
- MIPI_DSI0_DATAN3 <<< MIPI_DSI0_DATAN3_CON
- MIPI_DSI0_DATAP3 <<< MIPI_DSI0_DATAP3_CON

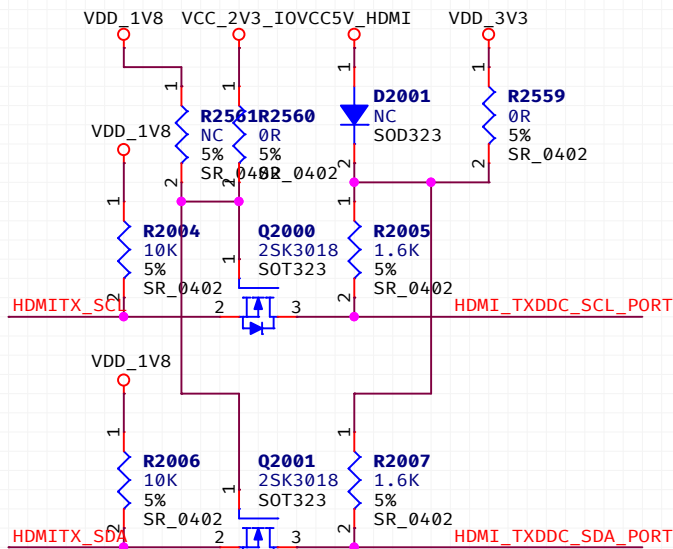


Page Name
MIPI DISPLAY

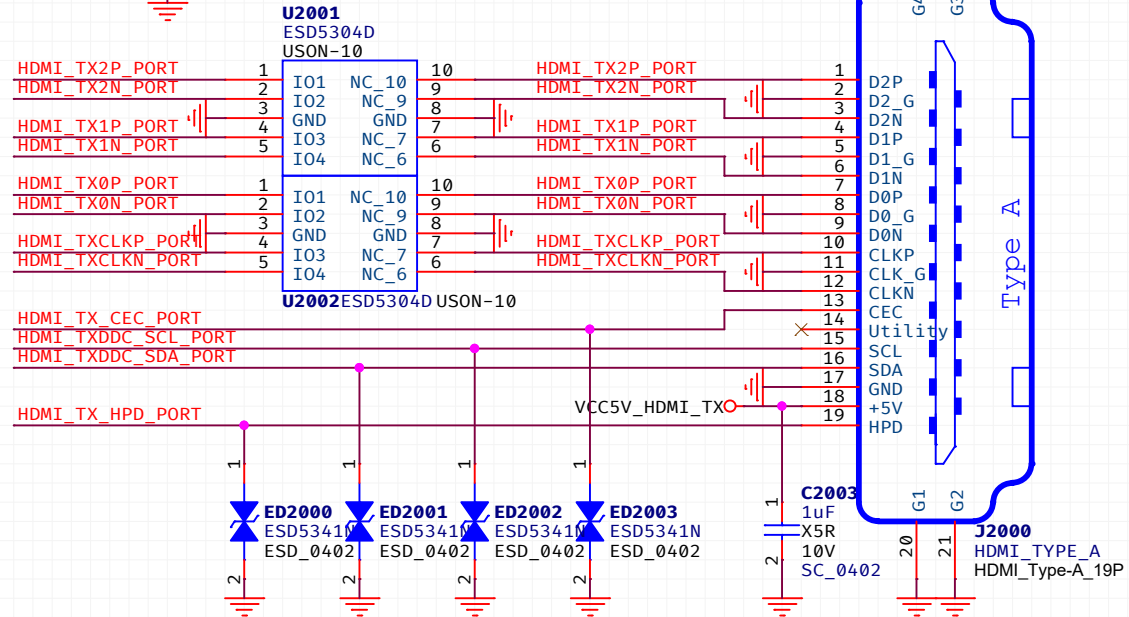
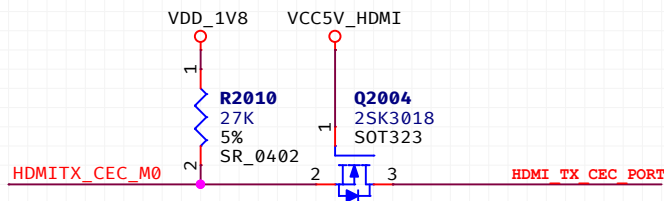
Size	Project Name - Rev SIPEED_LP14A	Designer: <i>ZK</i>
B	Checker: <i>Checker</i>	
Date:	Thursday, April 27, 2023	Sheet 19 of 25



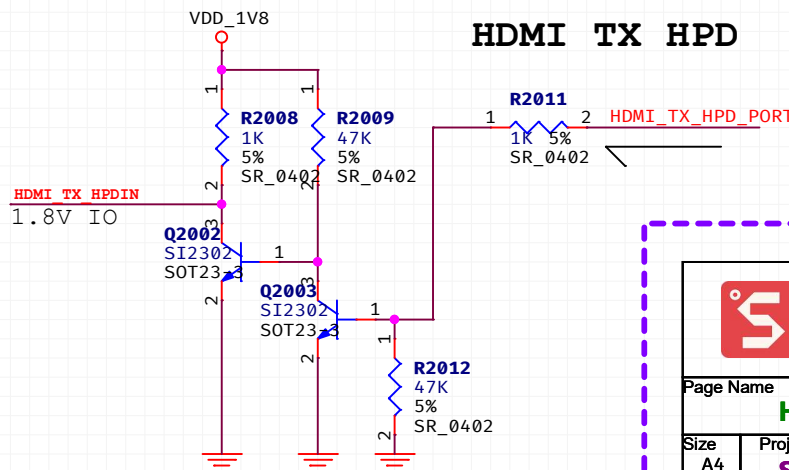
HDMI TX DDC



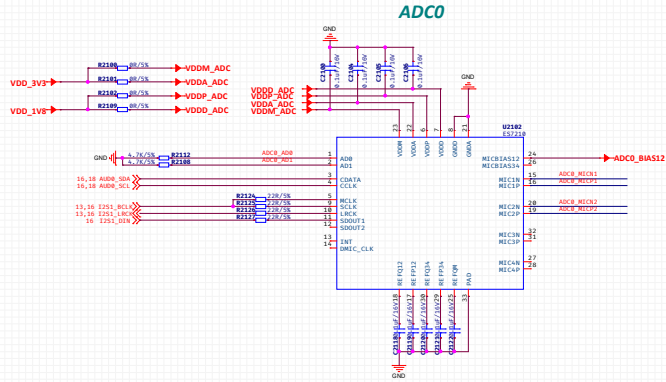
HDMI TX CEC



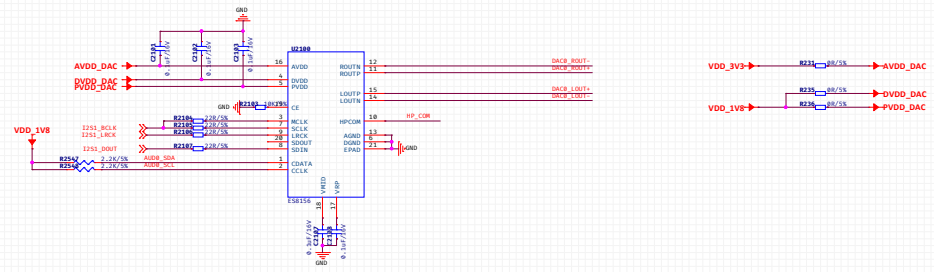
HDMI TX HPD



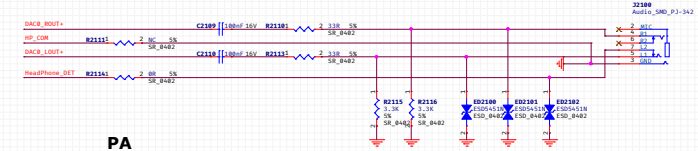
C906 Audio



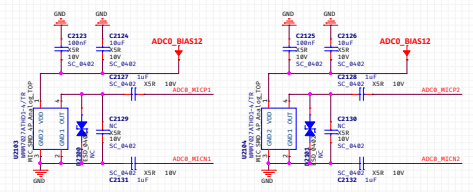
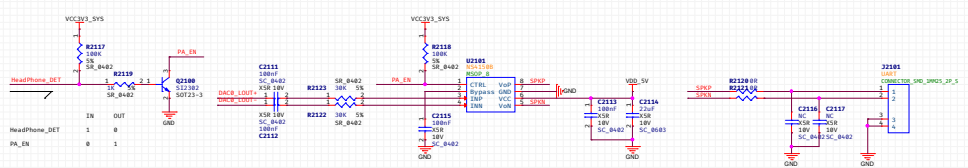
C906 24Bit 96KHz DAC0



Headphone



PA



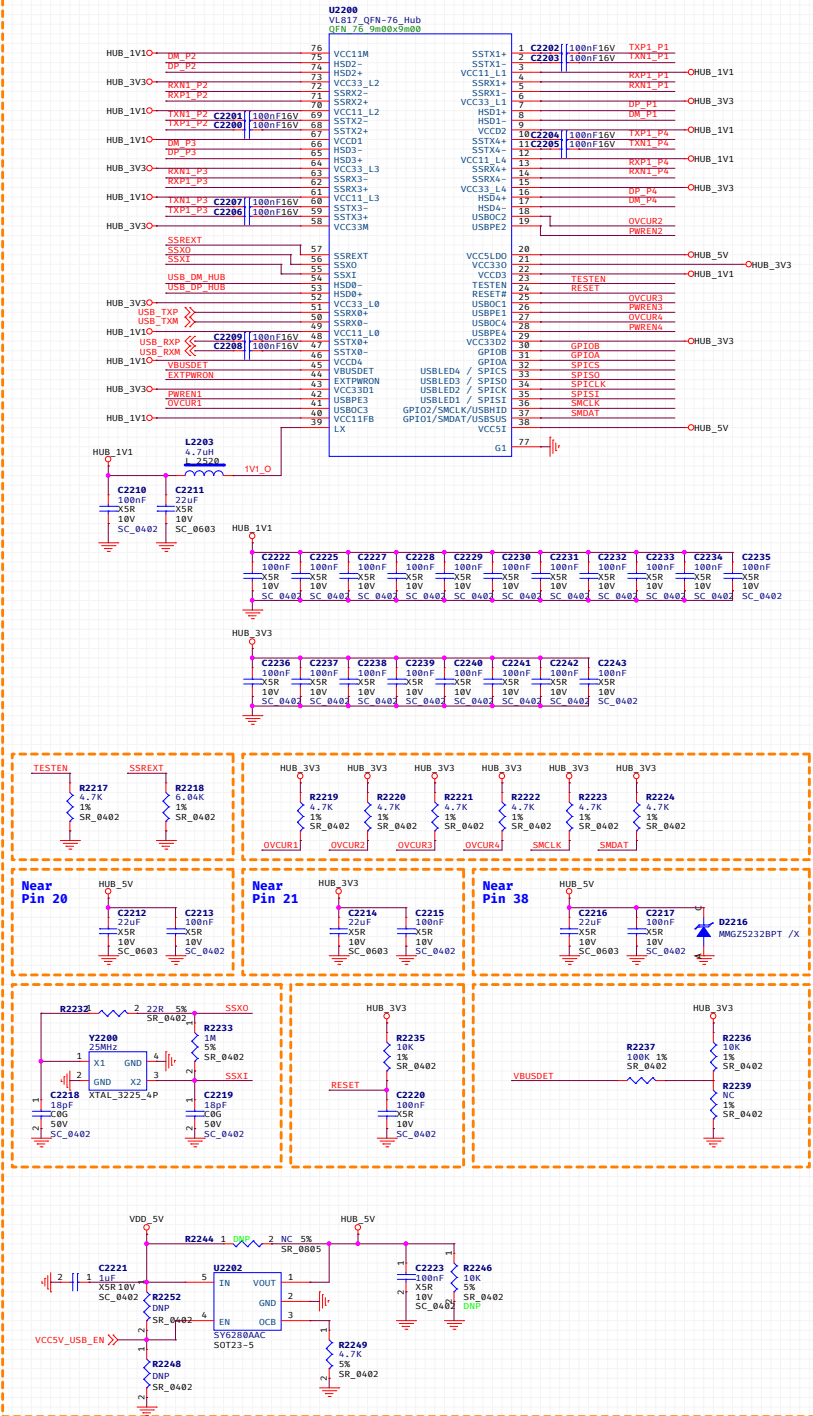
ES7210 I2C Address

I2C PORT	PART	AD1	AD0	I2C Address
AUD_I2C0	ADC0	0	0	0x40(1000000x)
AUD_I2C1	ADC1	0	0	0x40(1000000x)

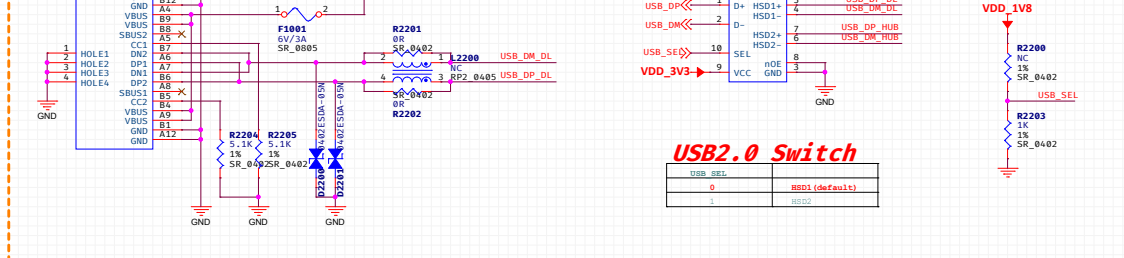
C906 ES8156 I2C Address

I2C PORT	PART	AD	I2C Address
AUD_I2C0	DAC0	0	0x08
AUD_I2C1	DAC1	0	0x08

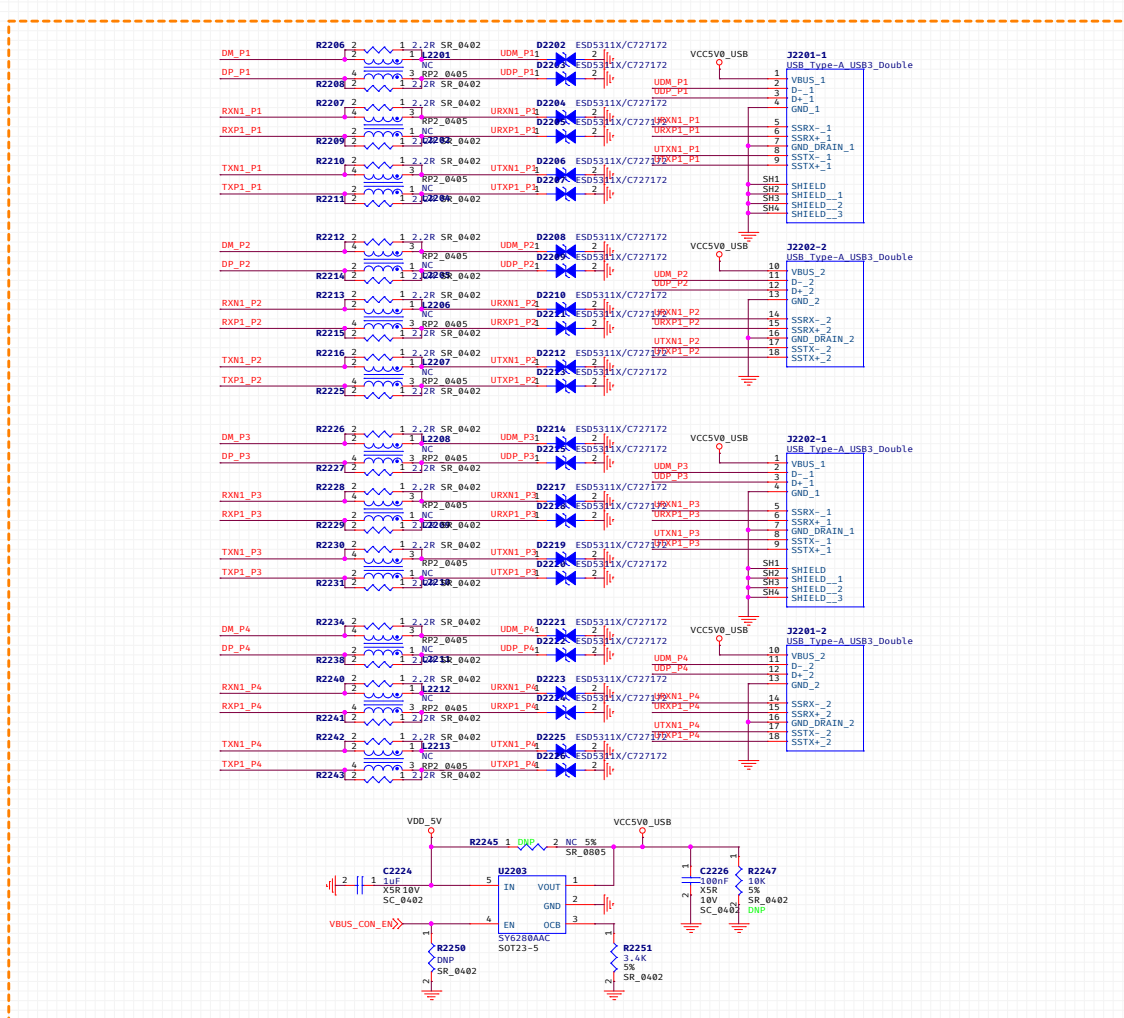
USB HUB



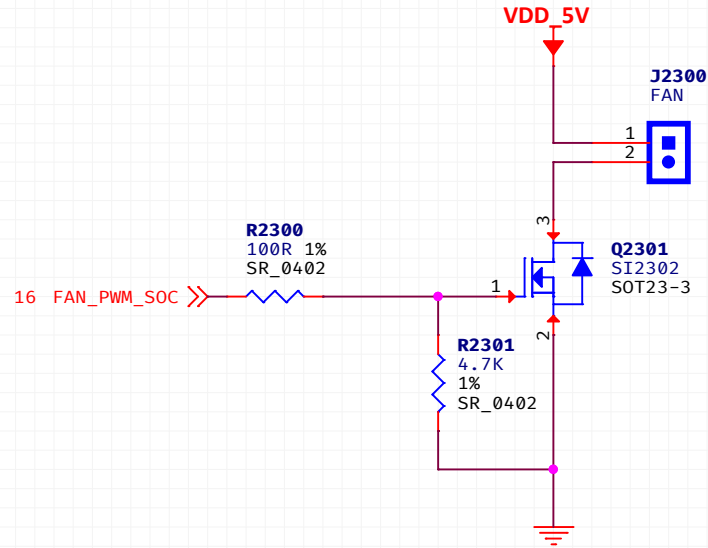
Switch



USB2.0 Switch



FAN



Page Name		
FAN		
Size A4	Project Name - Rev SIPEED_LPI4A	Designer: ZK
Date:	Thursday, April 27, 2023	Checker: <Checker>
Sheet		23 of 25

GPIO Expansion

