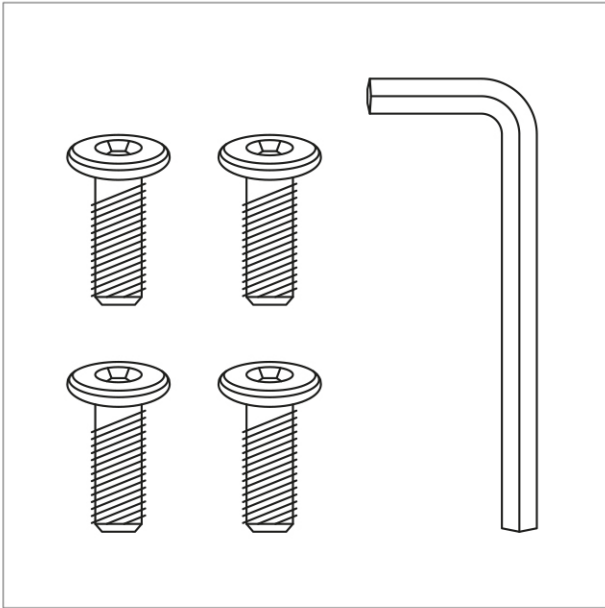


THE FAMILY
LOVE
TREE

Assembly Instructions

PATIO CHAIRS



What you'll need:
Chair Top & Base
4 x Hex Socket Screws
Hex Key (aka Allen Key)
A Cup of Tea (for post chair assembly...not supplied)



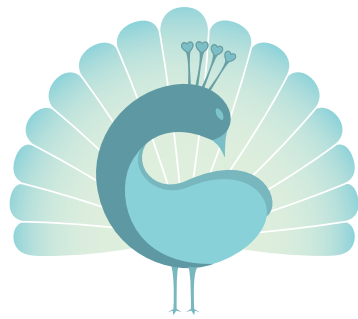
1 > Place the chair top upside-down on a smooth surface such as carpet or a towel. Place the base (legs) of the chair in position on top of the chair top and line up the holes.



* The chair is designed so that the slightly longer legs are at the front. This allows for a comfortable sitting position in a slightly reclined position.



2 > While holding the base in position, put each of the four socket screws in a hole and only screw in a third of the way.



THE FAMILY
LOVE
TREE

Assembly Instructions

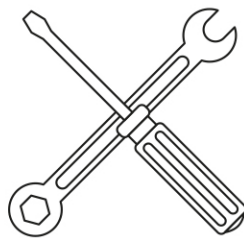
PATIO CHAIRS



3 > Once all of the screws are in position and the holes for the base and top line up (it may require a little shimmying), tighten each screw again by another third.



4 > Lastly, you can now tighten up each bolt using the hex key.
Ta da! Now you can enjoy your chair with a cup of tea.



HELP

Call our warehouse for further assistance:

03 9568 1962
Mon/Wed/Fri