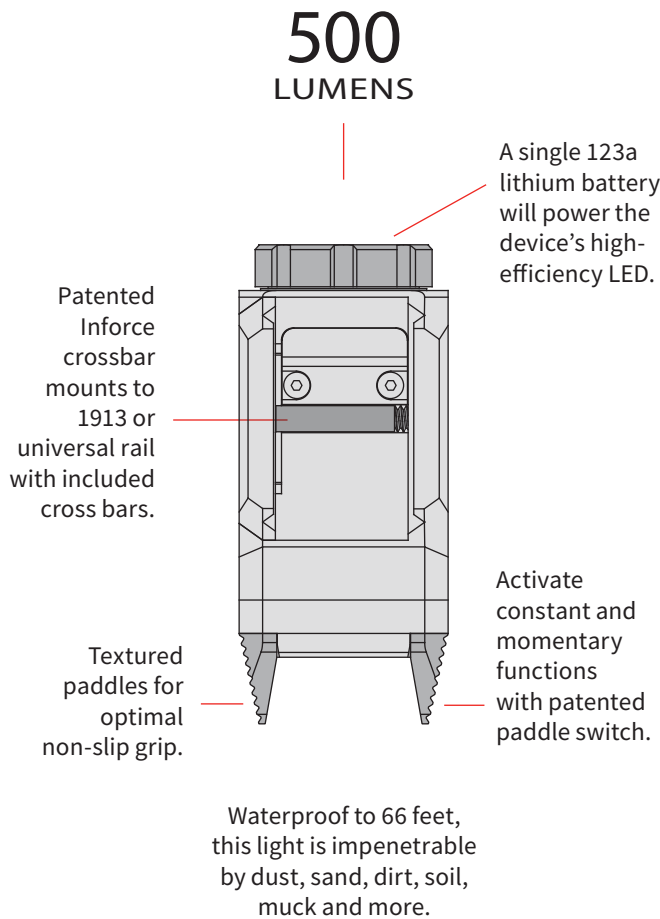


WILD1™

WEAPON INTEGRATED LIGHTING DEVICE

The new Wild1 is lightweight, fast-activating and with two hours of run time, it's a go-to for any handgun owner. An optimal-blend of throw and spill, this compact-sized light provides a concentrated hot spot and convenient paddle activation. Made from 6061-T6 aluminum with Type III MIL-SPEC hard anodized finish for greater durability, securely attach this light in seconds to any 1913 or universal rail. Constant and momentary functions are easily activated by pressing laterally on either the left or right paddle.

PART #	BODY COLOR	SKU
WLD1-05-1	Black	IF71000



ACTUAL SIZE

HIGH OUTPUT	500 Lumens
PEAK BEAM INTENSITY	7,500 Candela
DISTANCE	1036 Feet/315 Meters
HIGH RUNTIME	Up to 2 Hours
BATTERIES	Single 123a Included
WEIGHT WITH BATTERIES	2.9 oz/83.0 g
LENGTH	2.53 in/6.4 cm
BEZEL DIAMETER	.95 in/2.4 cm
SWITCHING	Ambidextrous Paddles
FUNCTIONS	Constant/Momentary
LOCKOUT SYSTEM	Paddle Activated
MOUNTING	1913 or Universal Rail
CONSTRUCTION	6061-T6 Aluminum
FINISH	MIL-SPEC Hard Anodize
WATERPROOF	Up to 66 Feet/20 Meters

© 2022 Emissive Energy Corp. 135 Circuit Drive, North Kingstown, RI 02852 USA; Tel: 401-294-2030; www.inforce-mil.com. U.S. & International patents are pending. Manufactured in the U.S.A. of domestic & foreign components.