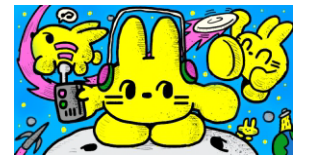
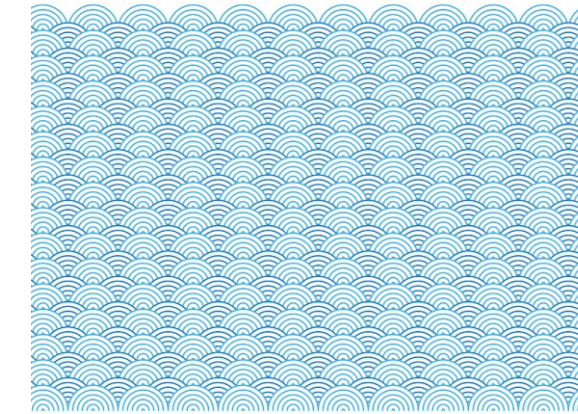
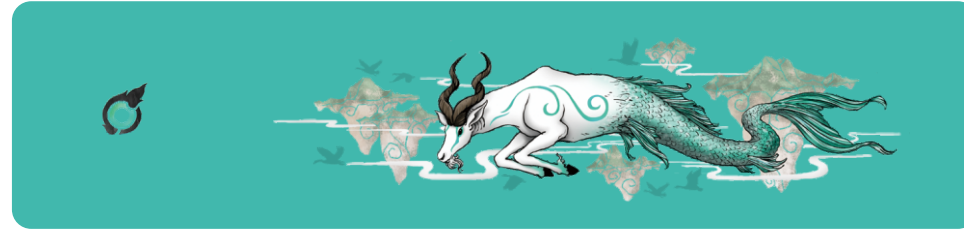


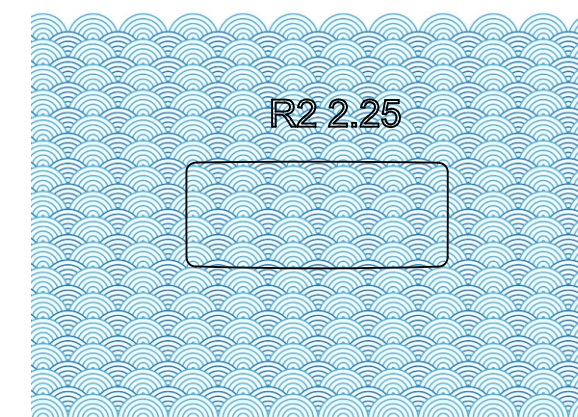
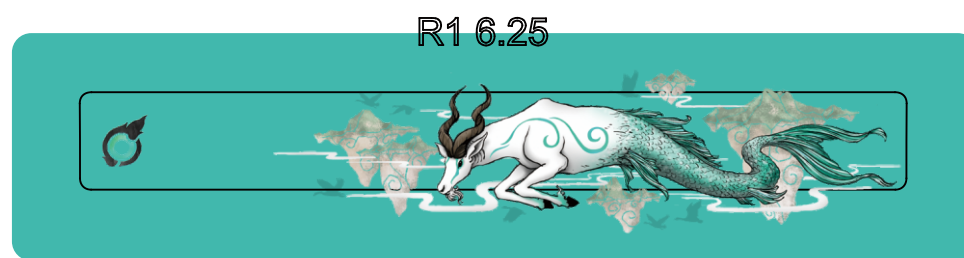
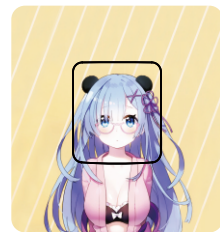
XVX CUSTOM ART ICON OR TEXT CHERRY MX KEYCAPS (4 Keys Set) Image Requirement Manual

Note: Image size should be 2mm wider than the frame

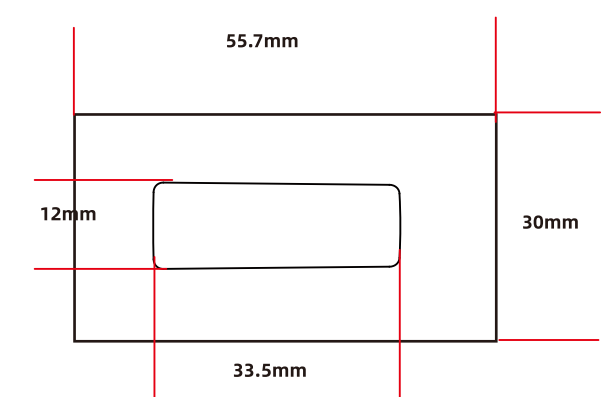
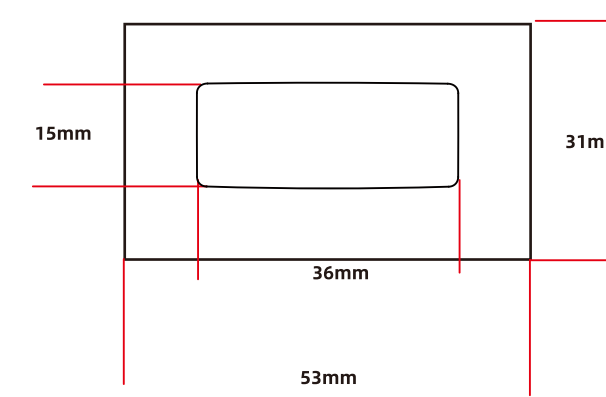
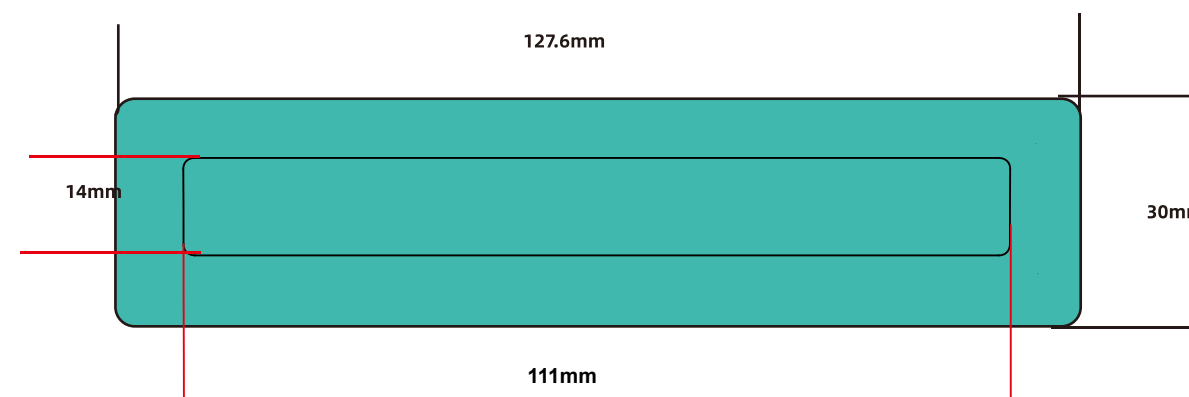
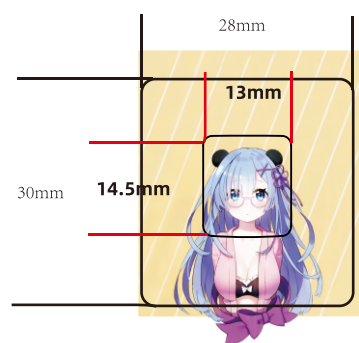
1.Original Image



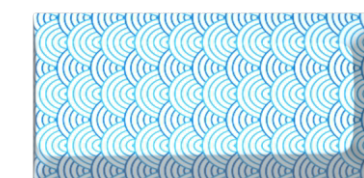
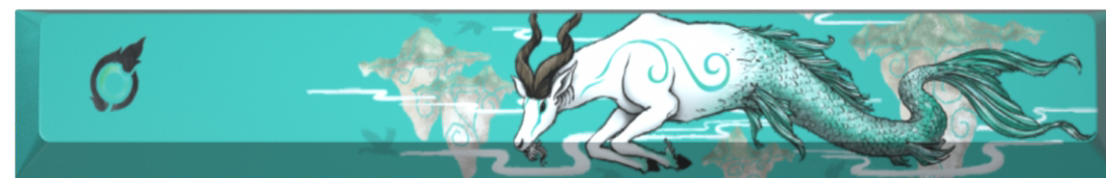
2.Center the image



3.Keycap Size(Image is centered)



4.Product rendering



ESC (1U) SIZE:

Outer frame: 30mm*28mm; Inner frame: 14.5mm*13mm

Space (6.25U) SIZE:

Outer frame: 127mm*30mm; Inner frame: 111mm*14mm

Enter (2.25U) SIZE:

Outer frame: 53mm*31mm; Inner frame: 36mm*15mm

NumEnter (2.0*1) SIZE:

Outer frame: 55.7mm*30mm; Inner frame: 33.5mm*12mm