



Premium Outdoor Kitchens

Pricelist September 2020

Dine in luxury with Steel's range of
handcrafted outdoor kitchens.

www.steelbrand.com.au





Outdoor cooking range

4-burner built-in barbecue

I9-4



- 4 x High-powered removable 25mj/H burners
- Ceramic heat spreader
- Reversible cast iron enamel-coated griddles and plates
- High quality 441 grade stainless steel
- Flame failure
- Metal knobs
- Telescopic lid
- Hood (optional accessory, shown left)

\$3,990

4-burner built-in barbecue

W9-4



- 4 x 25mj/H Cast Stainless Steel burners
- Flame Failure
- Cast iron griddles and reversible griddleplate
- Stainless Steel heat spreader
- Metal knobs
- Removable stainless lid

\$4,590

4-burner built-in barbecue with hood

W9-4T



- 4 x 25mj/H Cast Stainless Steel burners
- Flame Failure
- Cast iron griddles and reversible griddleplate
- Stainless Steel heat spreader
- Metal knobs
- Removable stainless lid

\$5,490

*Shown with accessory hood



Outdoor kitchen packs

Bambino



Modules available with anthracite (shown) or stainless steel panels.

Option 1 (shown left): Pack code: SAKCB01AN

Code	Module description
G9S-L1GAN	90cm Large sink with 2 doors
G9BS-4CAN	90cm, 4-Burner BBQ module with Twin skin lid, 2 door
G7C-PAN	70cm S/S working table, 3 drawers

Width: 2500mm

\$13,490

Option 2: Pack code: SAKCB02AN

Code	Module description
G9S-L1GAN	90cm Large sink with 2 doors
G9BS-4CAN	90cm, 4-Burner BBQ module with Twin skin lid, 2 door
G7FR-O	70cm S/S cabinet for built-in fridge
ALF-C1-840	Husky Tropical Spec S/S Alfresco Bar Fridge

Width: 2500mm

\$15,580

il Mezzo



Modules available with anthracite (shown) or stainless steel panels.

*Tap shown for illustration purposes only

Option 1: Pack code: SAKCM01AN

Code	Module description
G7C-PAN	70cm S/S working table, 3 drawers
G9BS-4CAN	90cm, 4-Burner BBQ module with Twin skin lid, 2 door
G7FR-W	70cm S/S cabinet for built-in fridge
ALF-C1-840	Husky Tropical Spec S/S Alfresco Bar Fridge
G9S-L1GAN	90cm Large sink with 2 doors

Width: 3080mm

\$16,580

Option 2 (shown left): Pack code: SAKCM02AN

Code	Module description
G9C-PAN	90cm S/S working table, 3 drawers
G9BS-4CAN	90cm, 4-Burner BBQ module with Twin skin lid, 2 door
G7FR-W	70cm S/S cabinet for built-in fridge
ALF-C1-840	Husky Tropical Spec S/S Alfresco Bar Fridge
G9S-L1GAN	90cm Large sink with 2 doors

Width: 3280mm

\$17,380

Immenso



Modules available with anthracite (shown) or stainless steel panels.

*Tap shown for illustration purposes only

Option 1: Pack code: SAKCI01AN

Code	Module description
G9C-PAN	90cm S/S working table, 3 drawers
G9BS-4CAN	90cm, 4-Burner BBQ module with Twin skin lid, 2 door
G7FR-W	70cm S/S cabinet for built-in fridge
ALF-C1-840	Husky Tropical Spec S/S Alfresco Bar Fridge
G9S-L1GAN	90cm Large sink with 2 doors
G9C-PAN	90cm S/S working table, 3 drawers

Width: 4180mm

\$20,890



Optional Accessories



Hood for I9-4 barbecues

AB-C4

\$699

*Can be added to cart model only when rear timber deck removed.

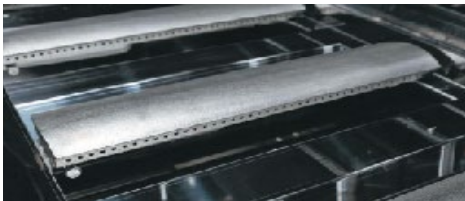


40cm Teppanyaki plate

(suits all barbecues)

AB-TY

\$699

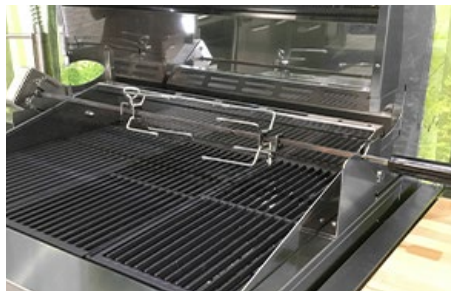


LPG conversion kit

CS0943

\$189

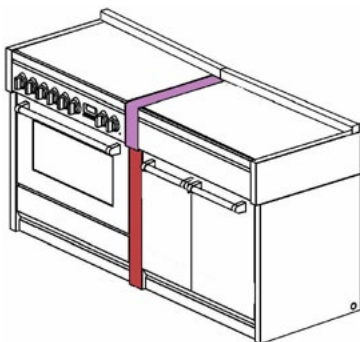
*For built-in BBQ models I9-4 and W9-4 only.




Rotisserie


AB-GA9

\$399



**Kitchen finishing strips
(stainless steel joining covers)**

 **CS4153 (bench joiner)**

 **CS2393 (cabinet joiner)**

\$219 each



/steelkitchensaustralia



/steel_kitchens_australia



Distributed by Arisit Pty Ltd

40-50 Mark Anthony Drive,
Dandenong South VIC 3175

Phone: 1300 762 219

Fax: 03 9706 6904

Website: www.arisit.com