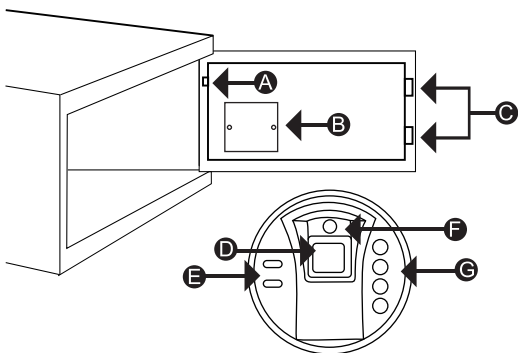


# User's Manual for Biometric Keypad Safe

Read all instructions before using this safe

## WARNING

- Safe can be opened by either Fingerprint, PIN code, and/or Emergency Keys.
- If user resets the safe to Factory Default mode: ANY fingerprint and Factory Default PIN code can open the safe.
- If safe is in factory default mode Red flash will be seen along with several beeps when accessing the safe.
- Register BOTH Fingerprint and PIN code to disable factory default mode.
- Register at least two different fingerprints and test a few times before closing the safe door.
- Test with a non-registered fingerprint. If the safe opens, the safe is still in Factory Default mode.
- Avoid leaving safe door open and unattended; it will allow unauthorized individuals to add their fingerprints and/or reprogram the safe, gaining full access to the safe and the contents.
- Test the Emergency Keys and store them in a secure place, NOT inside of the safe.
- To maximize the security and performance of the safe, test registered fingerprints every 6 months.



\* Actual model may vary

- |                          |                         |
|--------------------------|-------------------------|
| A. Initialization Button | E. Indicator Lights     |
| B. Battery Compartment   | F. Emergency Key Access |
| C. Bolts                 | G. Key Pad              |
| D. Fingerprint Scanner   |                         |

## Getting Started

1. Remove safe from packaging and remove Manual and all accessories that came with the safe.
2. Insert emergency key into key access, and turn clockwise to unlock and open the safe.
3. Unscrew battery compartment and insert 4 AA batteries. (Bolts are extended). Do not mix old and new batteries.
4. Press "0" on keypad to wake up the safe and place any fingerprint on scanner. Few beeps will be heard and red flashes will be seen, then bolts will retract, the safe will open.

Note: If safe opens with few beeps and red flashes, this means safe is in factory default mode: ANY Fingerprint can open the safe.

## Fingerprint Registration

1. With safe open and bolts retracted, press and release initialization button located inside the safe and place desired finger on fingerprint scanner.

### Successful Registration

2 beeps will be heard and 2 green flashes will be seen.

### Unsuccessful Registration

2 quick beeps will be heard along with red flash.

## Test Registered Fingerprint

1. With safe door open, press "0" on keypad to extend the bolts, the safe is locked.
2. Press "0" to wake up safe and place Registered Fingerprint on the scanner. If safe bolts retract and 2 beeps and green flash is seen, it means the registration was successful. If safe opens with several beeps and red flash is seen then registration was unsuccessful. Follow steps under Fingerprint Registration to register safe.

## Pin Code Registration

1. Enter Current Pin Code (Default Pin Code: "12312312312"); Both red and green light should be seen, then press the "3" on keypad.
2. Enter new desired Pin Code between 4 – 11 digits and if Pin Code is between 4 – 10 digits, press initialization button on the back of the safe to finish. 1 long beep will be heard and green light will be seen.

Note: Pin Code CANNOT start with "0"

## Test Registered Pin Code

1. With safe door open, press "0" on keypad to extend the bolts, the safe is locked.
- 2 Enter Registered Pin Code. If there are beeps and green light flashes, bolts retract then registration was successful. If there are two short beeps and red light flashes, bolts do NOT retract then registration was unsuccessful. Follow steps under Pin Code Registration to register desired Pin Code.

## Close / Open Safe Door

### Open Safe Door with Fingerprint

Press "0" on keypad to wake up the safe and place Registered Finger on the scanner. Safe should open.

### Open Safe Door with Pin Code

Enter Registered Pin Code and safe should open.

### Closing Safe Door

Please push door against the body of the safe and press "0" on keypad. Bolts should extend and Safe door is now locked.

## Silent Mode

### Sound Off

Press and hold initialization button until 1 beep is heard along with green flash. Sound is now disabled.

Note: Door Open Alarm will not beep when safe is in silent mode, but green light will flash once every 4 seconds.

### Sound On

Press and hold initialization button until 1 beep is heard along with green flash.

## Door Open Alarm

Safe will start beeping 1 min after safe door has been opened. Please close safe door or turn safe to silent mode to turn off alarm.



## User's Manual for Biometric Keypad Safe

Read all instructions before using this safe

### Resetting the Safe

Take all the batteries out of the safe, press and hold the initialization button inside the safe while re-inserting the batteries, keep holding initialization button until 3 beeps are heard and green flash is seen.

### Test Safe to See if it is Reset

With Fingerprint Press "0" on keypad and place any fingerprint on fingerprint scanner. Few beeps will be heard and red flashes will be seen, then bolts will retract, the safe will open.

With Pin Code Press "12312312312" on keypad, beep will be heard and green flash will be seen, the bolts will retract and safe should open.

### Low Battery Warning

An alarm sound and red flash will be seen when trying to access safe. Safe may allow access still, but batteries should be replaced as soon as possible.

Note: Can use 9v battery as an external power source. Place 9v battery under fingerprint module, touching the metal contacts under the fingerprint module. Safe should power up, if not switch the polarity of the 9v battery.

### Care and Maintenance

- To maximize the security and performance of the safe, keep Fingerprint Scanner clean; use a dry cloth to remove any smudges or prints off the Fingerprint Scanner after each use.
- Test registered fingerprints and PIN code every 6 months.
- Keep liquids away from the control panel. Spills on the control panel will cause damage and possibly electric shock.
- Secure safe in a proper area to prevent from falling and causing damage or injury.
- DO NOT disassemble the product. For all repairs, contact BARSKA Customer Service.
- DO NOT use chemicals or cleaning agents to clean the safe.

### Mounting Instructions

The safe may be mounted to a wall or floor. Be aware of the load bearing. Failure to do so can result in personal injury and/or damage to property. Use appropriate tools when performing work and always use eye protection.

#### Wall Mounting

Do not mount the safe without anchoring to the wall.

- Find the studs in the wall, at your desired location. Most studs are 16 inches or 24 inches apart.
- Check the wall for concealed wires or pipes.
- Measure the location of the pre-set drill holes; mark their exact position onto the wall ensuring that the studs or anything else behind will not interfere.
- Drill the appropriate size holes for the anchors you are using.
- Carefully press the anchor into the holes at this time.
- Mount the safe by running screws from inside of the safe and securing to anchors; ensure the safe is mounted securely.

#### Floor Mounting

- Use proper drill tools depending on the type of floor you are mounting the safe (wood, tile, or concrete).
- Measure the location of the pre-set drill holes; mark their exact position onto the floor.
- Drill the appropriate size holes for the anchors you are using.
- Carefully press the anchor into the holes at this time.
- Mount the safe by running screws from inside of the safe and securing to anchors; ensure the safe is mounted securely.



### 1 YEAR LIMITED WARRANTY

#### Biometric Keypad Safe

BARSKA warrants this new safe to be free of original defects in material and/or workmanship under normal use for a period of twelve (12) months from the date product is received by purchaser. This warranty does not include damage caused by improper installation or maintenance. Damage from misuse, abuse, accident (such as dropping), normal wear and tear, fire, flood, or acts of nature. Damage from service or repairs other than those performed by BARSKA. Labor, cost and shipping charges for the removal and replacement of defective parts beyond the initial twelve-month warranty period. All transportation and shipping charges. Removing or altering the seal under any circumstances will automatically void the warranty.

This warranty is limited to original purchaser and is not transferable. This warranty applies only to products purchased in the United States.

Please email [info@barska.com](mailto:info@barska.com) or call 1.888.666.6769 for Return Merchandise Number (RMA#) before any returns. The RMA number must appear on the outside of the shipping package. Product must be packed carefully and sturdily in its original packaging to prevent damage in transit and returned freight pre-paid to:

BARSKA OPTICS  
Repair Department  
855 Towne Center Drive  
Pomona, CA 91767

Please include all of the following when returning BARSKA products for service and/or replacement:

1. Please write your complete details (Name, Address, Telephone #, E-mail address, RMA#, etc.)
2. Purchase receipt or Proof of Purchase. (Original/Copy)
3. A brief explanation of the defect.
4. A Check/Money Order of cover inspection, shipping and handling. Charges are as follows:

Biometric Keypad Safe HQ100 - \$40.00  
Biometric Keypad Safe HQ200 - \$40.00  
Biometric Keypad Safe HQ300 - \$60.00  
Biometric Keypad Safe HQ400 - \$60.00

\*Please allow 6-8 weeks for delivery.

BARSKA will examine and test returned product and repair or replace defective part(s) or units with new part(s) or a new unit if necessary within the warranty period. Purchaser is required to remit \$40.00 to BARSKA for return shipping and handling at time product is returned. If repair is required after warranty period expiration, purchaser will be charged for replacement parts and return shipping.

BARSKA® Optics shall not be liable for any consequential, incidental and/or contingent damages whatsoever. We will not pay shipping, insurance or transportation charges from you to us, or any import fees, duties and or taxes. This warranty supersedes all previous BARSKA® Optics warranties.