

MK60SP

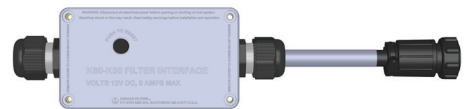
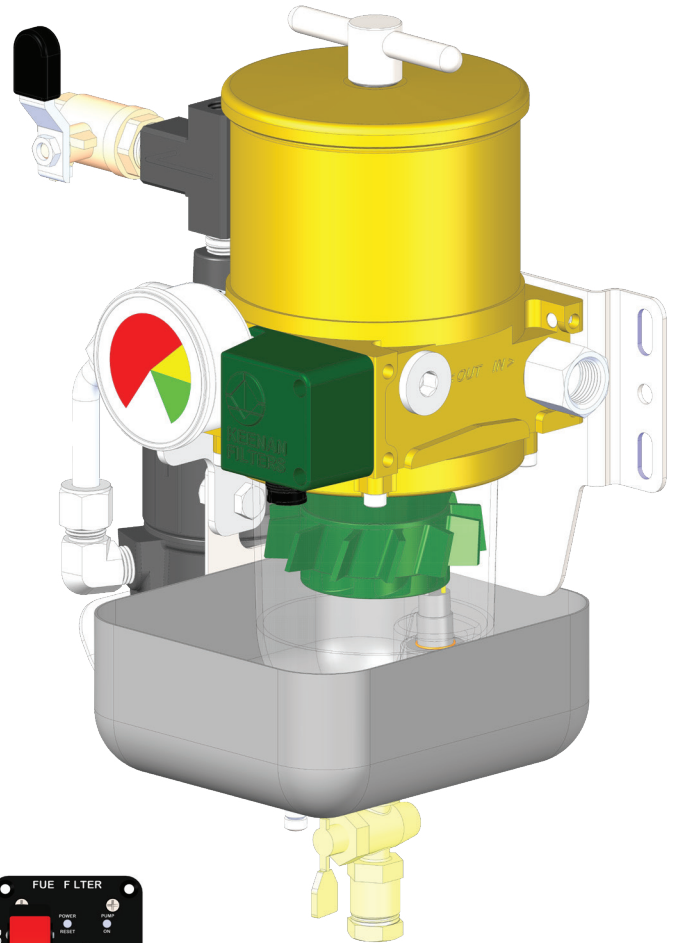
A Complete Single Filter Fuel Management System
Perfect For Small to Mid-Size Motors

Engine Reliability Starts With Clean Fuel!

Contaminated fuel is the most common cause of diesel engine shut-down! This issue is even more prevalent with motors that are not frequently used. The simple answer to this problem is to keep your complete fuel system clean, from tank to engine.

Our standard MK60SP system is an advanced single filter model that offers everything you need to keep your fuel clean and motor running smoothly. Designed to be compact and affordable, it does far more than just filter your fuel. It also helps keep your entire fuel system clean by doing a preventative process called "fuel polishing," which removes contaminants and water before they become a problem. The MK60SP also removes all remaining impurities before they are ingested into the engine where they can stop your motor cold..

The MK60SP includes a remote warning panel to alert you about any potential problems, as well as an integrated fuel pump for bleeding, priming and backup of the main engine fuel pump. It also uses commonly available Racor® filters, so you know you should be able to find a new one no matter where you are in the world.



Standard Package Features

- Filter/ Water Separator
- Engine Prefilter & Polishing System
- KP 300 Advance Warning Panel With Mute
- Polishing & Priming Pump
- Standard Polishing Tee Manifold
- Back Up Fuel Pressure
- KH6010 Interface Box & 15' Harness Cable
- Uses Standard Racor® Elements
- Machined From High Quality Aluminum & Stainless Steel



Warns



Tests



Saves



Cleans



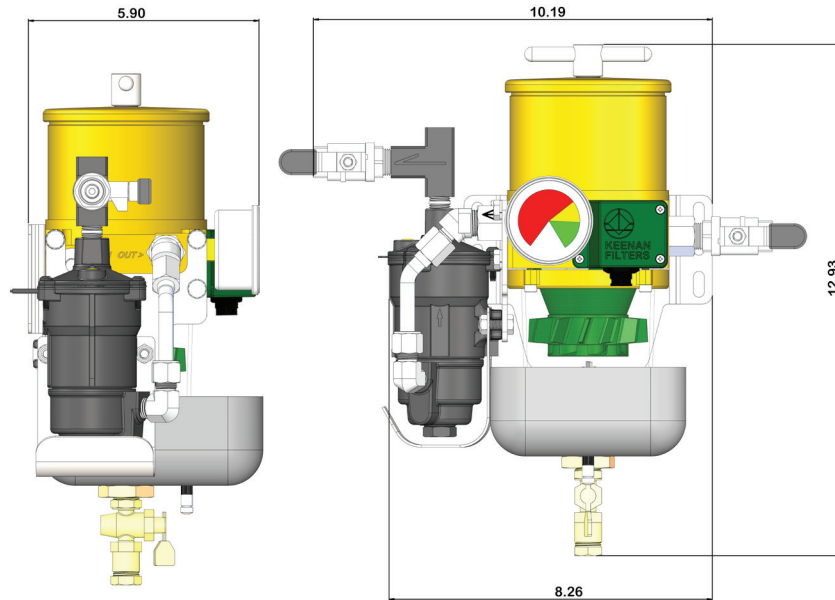
Primes

Is Your Fuel Keenan Clean?



**KEENAN
FILTERS®**
By KTI Systems, Inc.

MK60SP

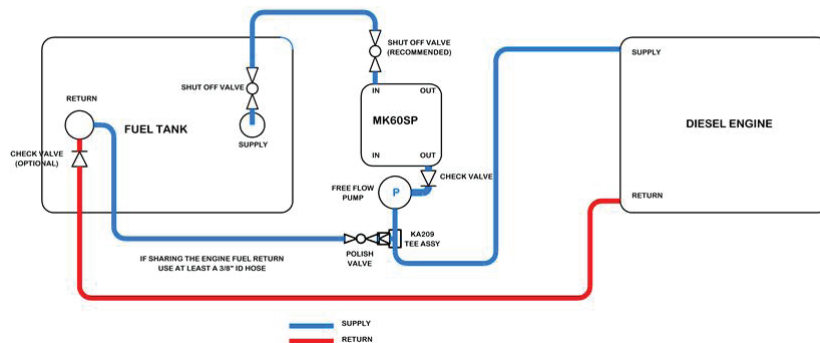


KP300 Remote Warning Panel



K6060 Interface Box

MK60SP PRESSURE BYPASS SYSTEM



MK60SP Specifications

| | |
|--|--|
| Height | 12.93" (33 cm) |
| Width | 8.26" (21 cm) |
| Depth | 6" (15.24 cm) |
| Service Clearance | 5" (12.7 cm) above 2" (5.1 cm) below |
| Weight | 7.4 lbs (3.36 kg) |
| Inlet and out ports | 3/4-16 #8 Orb or 1/2" Npt adapter (standard) |
| Fuel | Diesel |
| Filter Max Fuel Flow | 60 gph (227 lt/h) |
| Max Operating Pressure | 30 psi (2.1 bar) |
| Normal Operating Vacuum | 0-6 in Hg (20 kPa) |
| Vacuum Alarm | 8" + 2" in Hg (27 + 7 kPa) |
| Bowl Water Alarm Capacity | 5.5 oz. (163 ml) |
| Water Removal | 99% |
| Voltage | 12 VDC |
| Current Draw - Pump on | Max +2.3 amps |
| Circuit Protection | 5 amp |
| Pump | Walbro FRB 13-2 |
| Psi | 6.0 to 8.0 psi (.41-.55 bar) |
| Flow | 60 gph (227 lt/h) |
| Dry lift | 48/120" (122-305 cm) |
| Volts/amps | 12/2.3 |
| Run Dry | Four (4) Hours |
| Recommended Replacement elements -Racor® | 2 micron 2010SM-OR 10 micron 2010TM-OR 30 micron 2010PM-OR |
| Normal interface cable length | 15' |



Most Diesel Engine Failures Start In The Fuel Tank

Diesel Fuel is unstable by nature, solids begin to form and the sludge that accumulates can eventually clog your diesel filters, ruin your injectors causing your engine to stop. Every engine runs better with a system that cleans fuel, removes water, tests for leaks, and senses when it's time for service. KEENAN FILTERS are the most efficient and most reliable fuel maintenance system you can install.



**KEENAN
FILTERS®**
By KTI Systems, Inc.

www.keenanfilters.com

KTI Systems, Inc.
55 Hudson Drive, Southwick, MA 01077
1-800-336-0315 | 413-569-3323