

# KINVARO

## T-71 lift-up flap fitting



- Variable opening angle – holds flap securely at any angle between 45° and 110°
- Extremely comfortable opening thanks to spring-supported opening mechanism
- Adjustable spring force
- Integrated adjustable closing damper
- Flap with 3-dimensional adjustment – height, side, angle: direct adjustment  $\pm 1.5$  mm
- No hinges fitted to the top panel
- Allows additional cabinet installation above
- Fast, tool-free clip fitting of the front
- Weight 1.4 to 8.5 kg
- Range of flaps:  
Width: up to 1200 mm  
Height: 300–600 mm
- Cover caps in grey, similar to RAL 7045



### APPLICATION RANGE

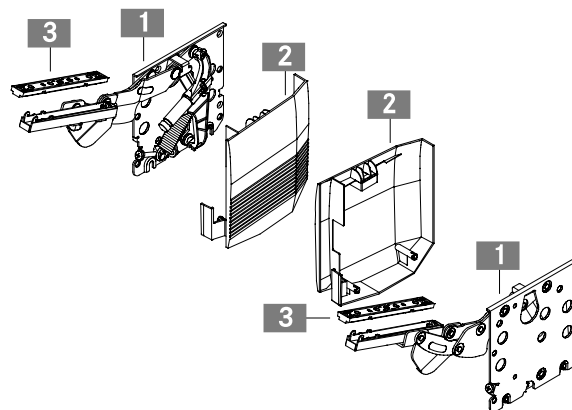
Cabinet height	Flap weight incl. handle (kg)	
	Spring, white	Spring, orange
300	2.1–7.4	2.5–8.5
350	1.8–6.3	2.3–7.5
400	1.7–5.4	2.1–6.8
450	1.6–4.7	2.0–5.8
500	1.5–4.0	1.8–5.0
550	1.4–3.7	1.6–4.6
600	1.4–3.3	1.4–4.2

### ORDER INFORMATION

Kinvaro T-71 set					
Designation	Springs	Version for	Overlay	Art. No.	
					Cover cap, grey
Kinvaro T-71 on right without damper and on left with damper, pre-assembled white springs, incl. cover caps, 2 loose orange springs	White/orange	Wood	Variable		<b>F151147696</b>

**Kinvaro T-71 set** consisting of:

- 1 Fitting on right without damper and on left with damper (1x)
- 2 Cover caps, right and left (1x)
- 3 Mounting plates (2x)  
Springs in orange, loose (2x)  
Paper template (1x)  
Installation instructions (1x)

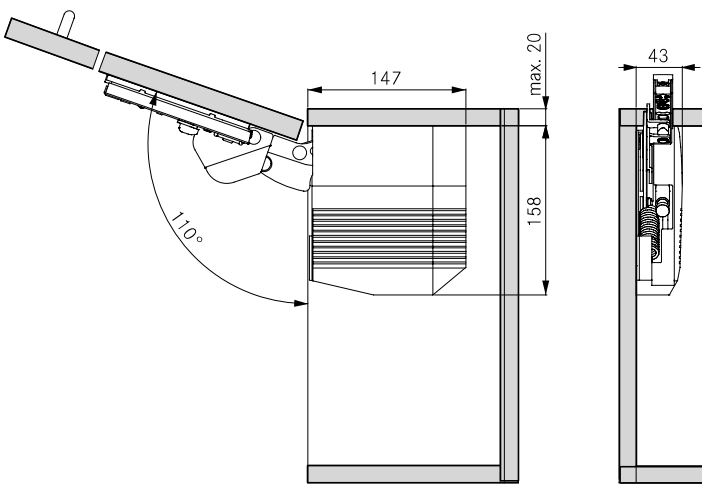
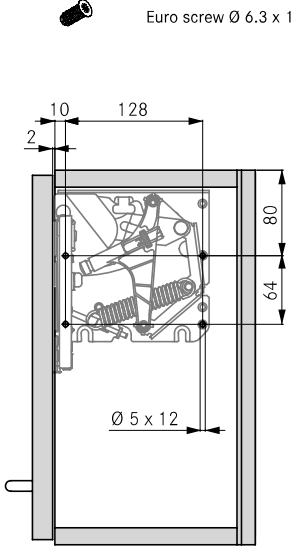
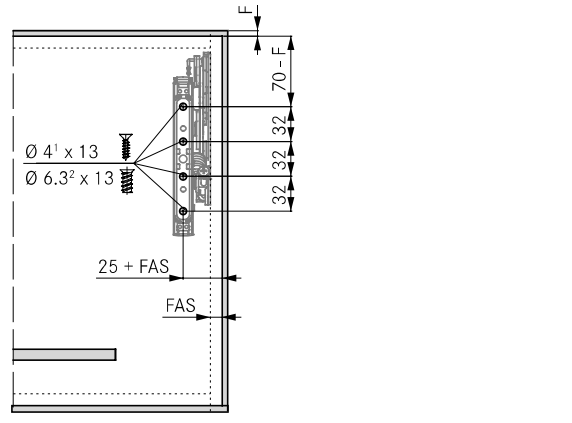


### PAGE REFERENCES

Kinvaro T-71 adjustment options	279		
Assembly aids	656		

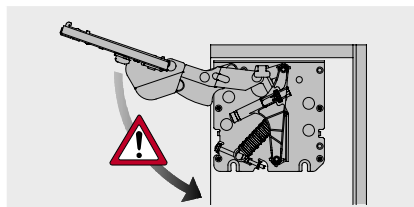
ASSEMBLY AND INSTALLATION INSTRUCTIONS

All dimensions in millimetres

<p>Required space</p> 	<p>Side wall drilling positions</p> 
<p>Front installation for wooden and frame flaps (min. 55 mm width)</p>	
 <p>1 Pre-drilling required Ø 2 mm 2 Pre-drilling required Ø 5 mm</p>	
<p>Calculation of flap weight</p> <p>Flap width x flap height x flap thickness x density <sup>1</sup> + weight of handle <sup>2</sup> = weight of flap</p> <p><sup>1</sup> Densities: MDF board 0.85 kg/dm<sup>3</sup>, chipboard 0.65 kg/dm<sup>3</sup>, spruce/pine 0.45 kg/dm<sup>3</sup></p> <p><sup>2</sup> For bar handles, allow 0.1 kg per 100 mm of handle length. We recommend a trial fitting</p>	

- 1
- 2
- 3
- 4
- 5
- 6
- 7
- 8

WARNING



**Important!**  
**Caution – risk of injury!**  
**Fitting is spring-tensioned!**

LEGEND

F Reveal  
FAS Front overlay, side