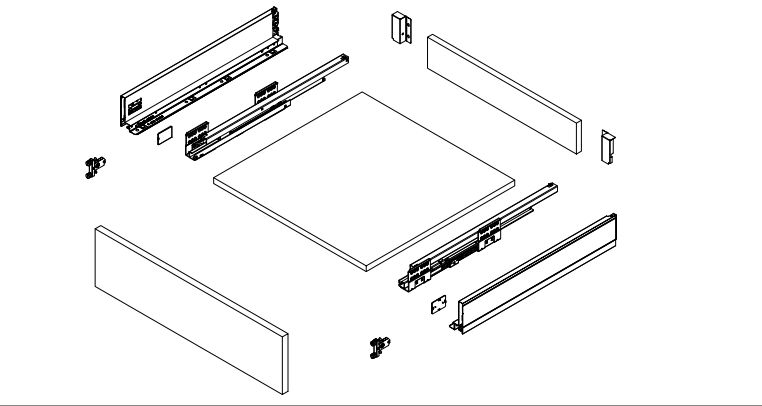
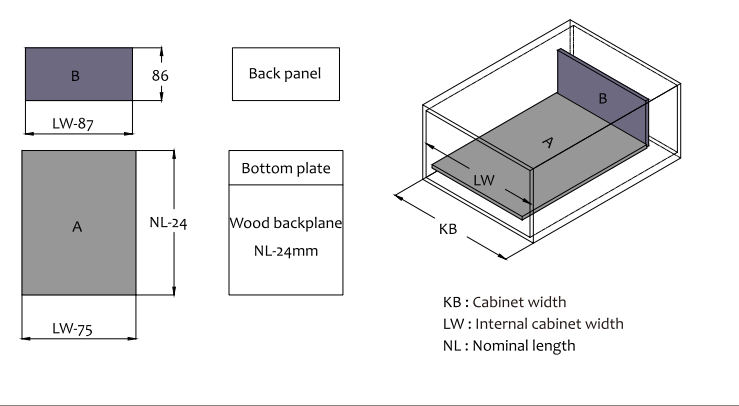
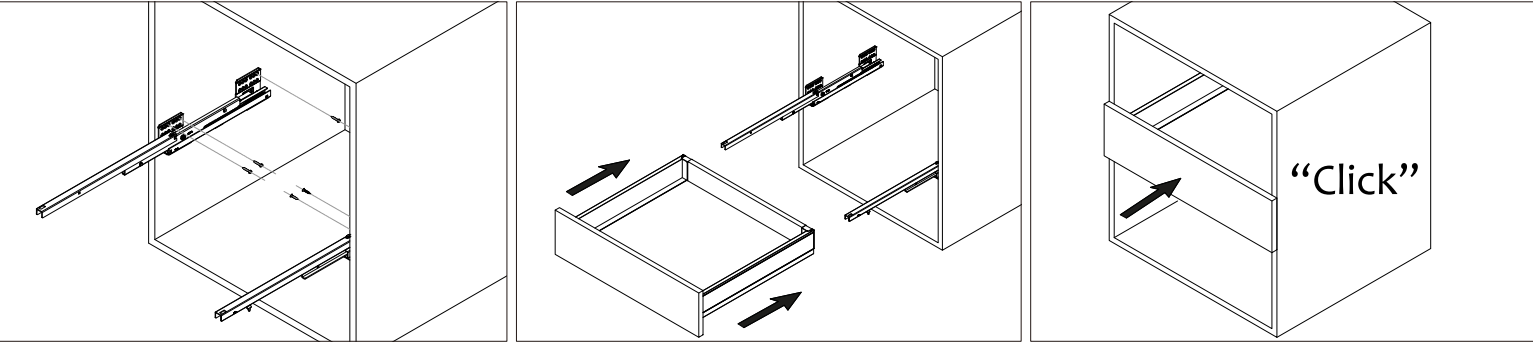
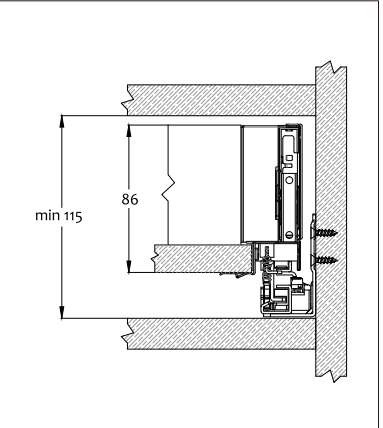
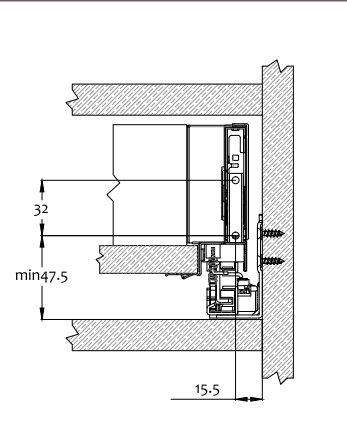
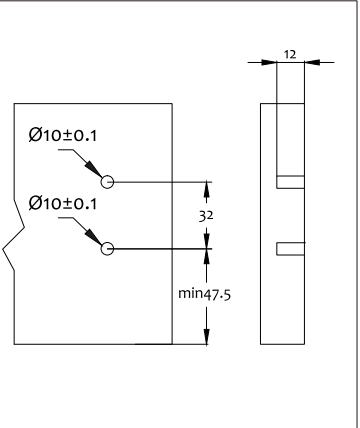
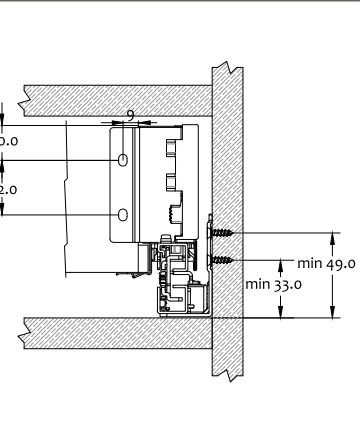
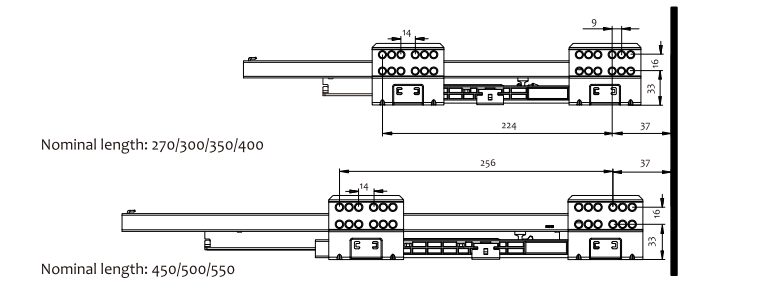
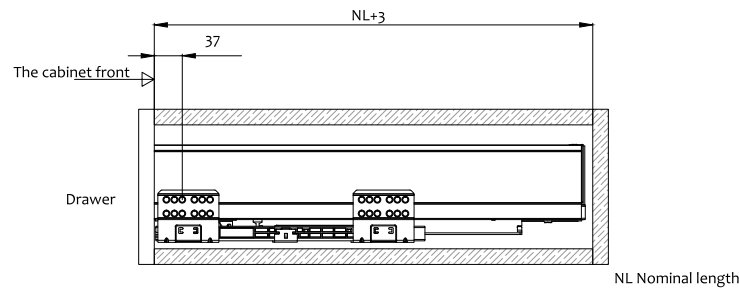
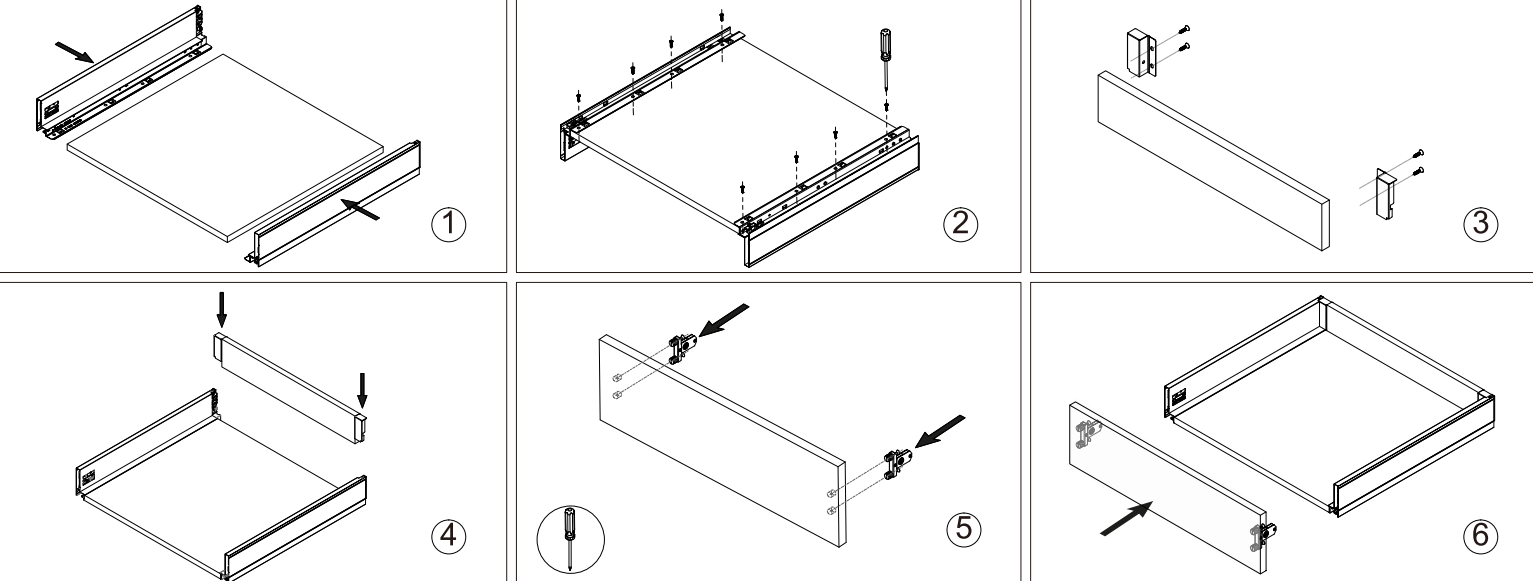
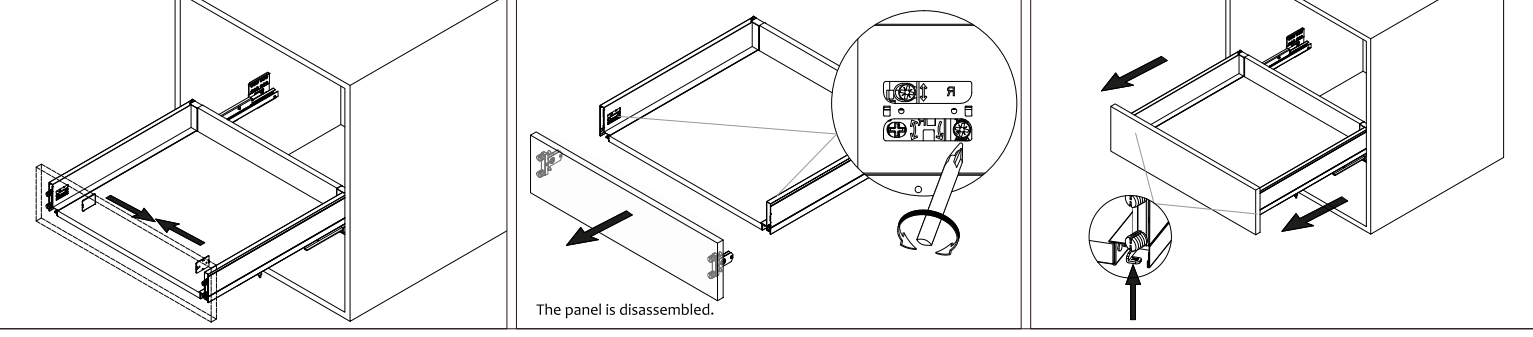


Slim double wall drawer slide , height 86mm

Basic components 		Cutting dimensions of 16mm thick MDF  <p>KB : Cabinet width LW : Internal cabinet width NL : Nominal length</p>		Drawer installation to the cabinet. 	
Cabinet space requirements 	Front connectors panel mounting dimensions 	Front panel drilling pattern 	Mounting dimensions for the back plate 		
Slide mounting hole distance 		The cabinet body rail mounting dimensions 			
Drawer installation 		Drawer disassembly. 			
		Drawer removal 