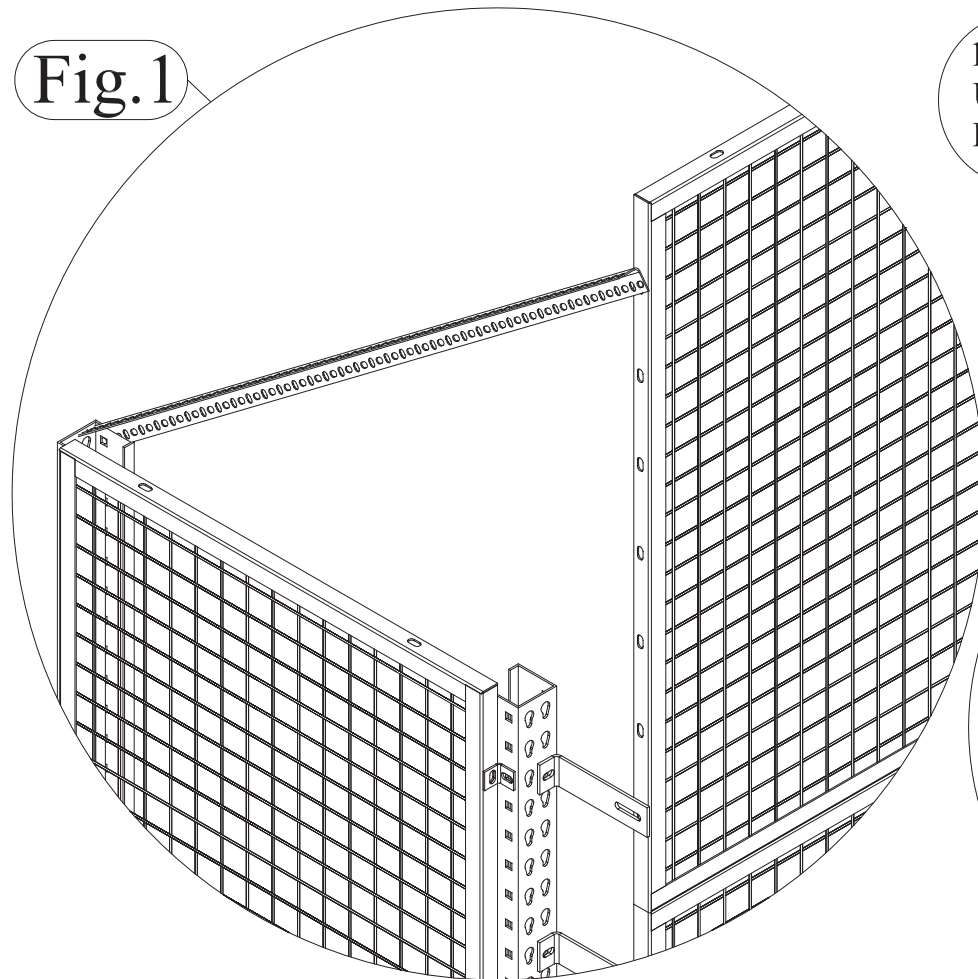
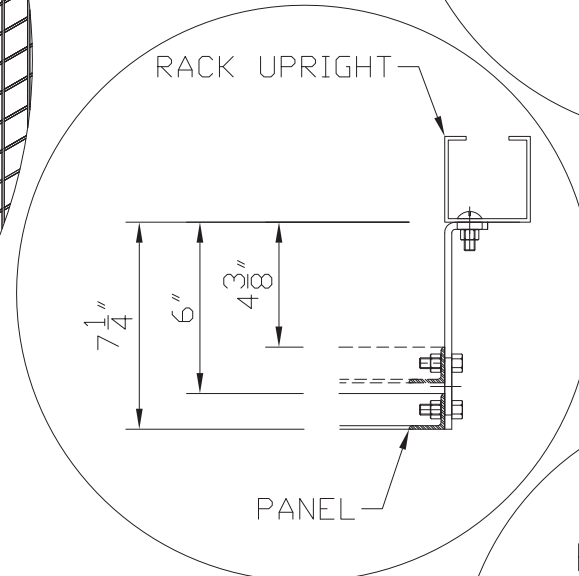
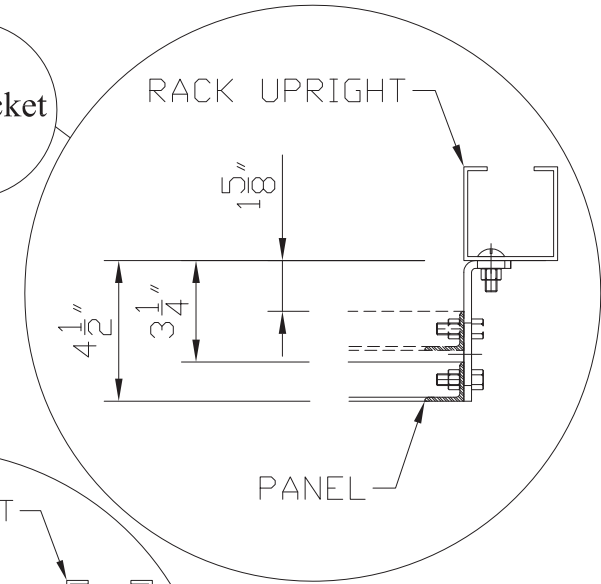


Fig. 1

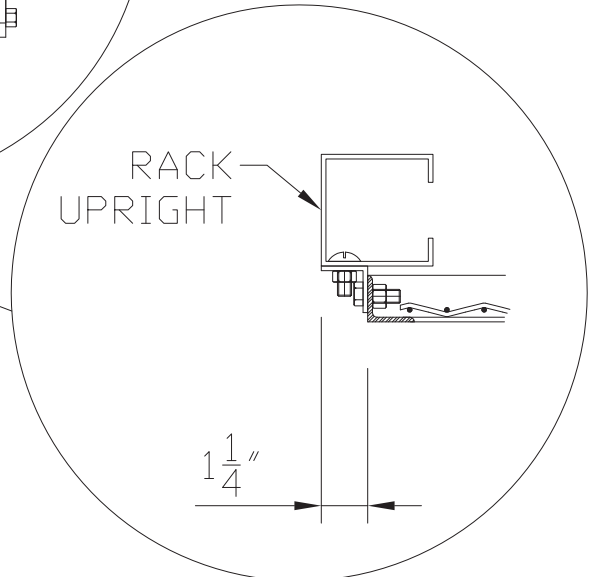


1 5/8" to 3 1/4" Offset
Uses 4 1/2" x 1 1/2" Bracket
Part# OPANCL412112



4 3/8" to 6" Offset
Uses 7 1/4" x 1 1/2" Bracket
Part# OPANCL714112

Flush Mount
Uses 1 1/4" x 1/4" Bracket
Part# OPANCL114182H

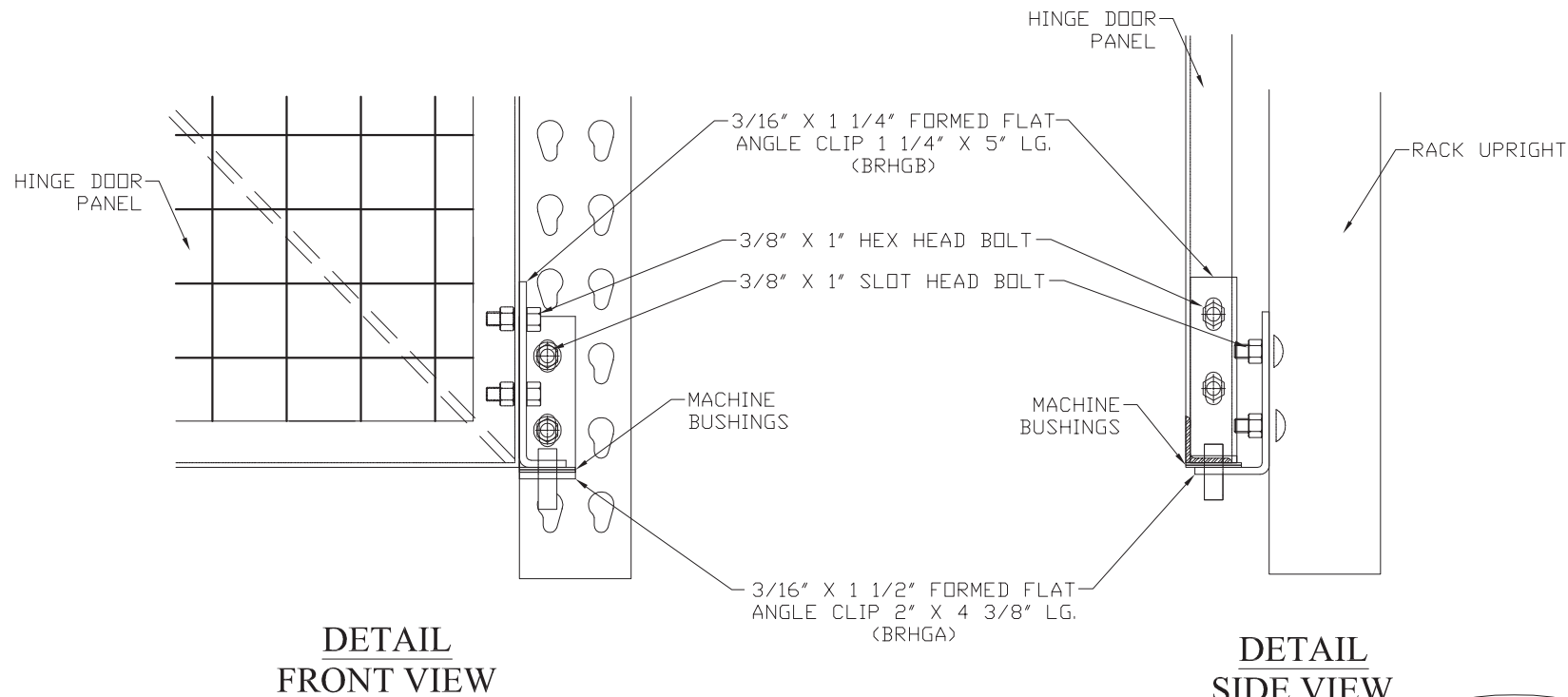


INSTALLER NOTES

1. Provided mounting hardware may not be appropriate for all types of rack. Installer may need to acquire additional or other type fasteners.
2. It is installer's responsibility to securely install brackets and panels to rack structure.

Rack Back® Panels

1. Note slotted hole location on end of panels. Attach mounting bracket to rack uprights corresponding to holes on end of panels.
2. Lift panels into place between mounting brackets, and secure with 3/8" x 1" bolt.
3. Align panels with those above or below to form wall and connect horizontal members of panels with 3/8" x 1" bolts.
4. Panels rising above rack structure may be secured with slotted angle. See Fig. 1.



**DETAIL
FRONT VIEW**

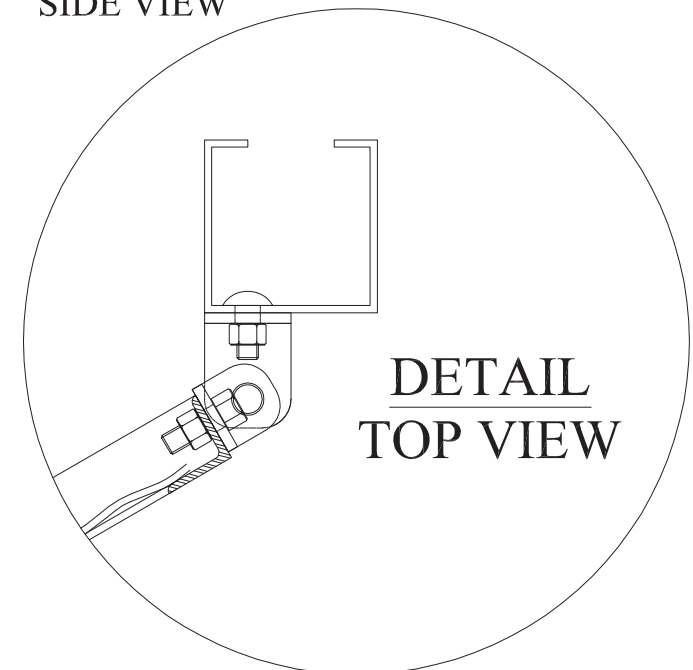
**DETAIL
SIDE VIEW**

INSTALLER NOTES

1. Provided mounting hardware may not be appropriate for all types of rack. Installer may need to acquire additional or other type fasteners.

Rack Back® Hinge Gates

1. Locate gate hinge brackets (brackets with pins attached) and machine bushings.
2. Use 3/8" x 1" bolts to install gate hinge bracket on outside corners of gate panel (pins should be pointing in opposite directions after installed).
3. Install only lower receiver bracket (bracket with no pin) on rack upright at desired sweep space.
4. Place bushing over hinge pin, and lift gate into place so that lower hinge pin fits into lower receiver bracket.
5. Place upper receiver bracket over hinge pin and fasten receiver to rack.
 - a. Check that top of gate is level, and overall operation of gate.
6. If double hinge gate, repeat procedure for opposite door panel.
 - a. Use same sweep space dimension as first panel.
 - b. Check that gap between doors is sufficient for operation of doors and lock device, if not adjust mount brackets appropriately.
7. If single hinge gate, align padlock lug with door lug and attach to rack.



**DETAIL
TOP VIEW**