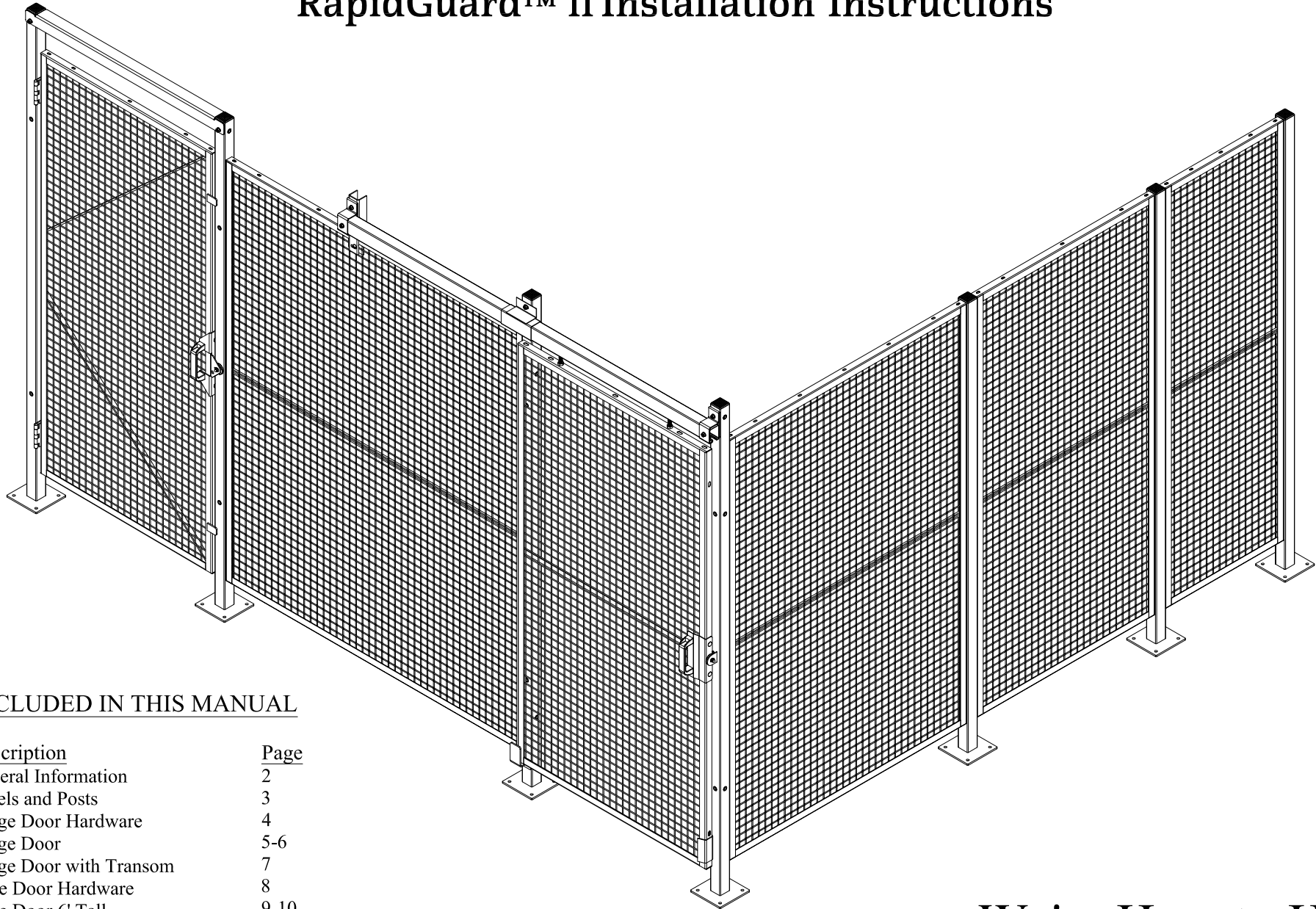


WireCrafters

RapidGuard™ II Installation Instructions



INCLUDED IN THIS MANUAL

<u>Description</u>	<u>Page</u>
General Information	2
Panels and Posts	3
Hinge Door Hardware	4
Hinge Door	5-6
Hinge Door with Transom	7
Slide Door Hardware	8
Slide Door 6' Tall	9-10
Slide Door 8' Tall Details	11
Slide Door Assembly	12

WireCrafters, LLC.

General Information

6208 Strawberry Lane
Louisville, Kentucky 40214

502/363-6691
502/361-3857 FAX

www.wirecrafters.com
1-800-626-1816

These Installation Instructions are provided as a guide for assembling WireCrafters RapidGuard™II partition system. Due to varying job site conditions and infinite layout possibilities, there is no "recommended" or standard way to install the product. **Common sense and proper safety measures must be used during installation.** The product may be unstable during installation; adequate temporary bracing should be used until the layout is fully assembled with all fasteners and anchors properly tightened. Depending on site and layout conditions, permanent field bracing to building structure may be necessary. The addition of field bracing is the responsibility of and shall be done at the installer's or owner's discretion and expense. Installation problems arising from job site conditions should be referred to a professional installer. Refer product assembly questions to WireCrafters.

TOOLS RECOMMENDED

Chalk line & marker	Drill with adjustable clutch and 3/8" nut driver	(2) Step ladders
Tape Measure	Hammer Drill with 3/8" masonry bit	(2) C clamps or Vise-Grip® type clamps
Level	(2) 1/2" open-end wrenches and/or	#1 & #2 Phillips Screw Driver
Hacksaw	(2) 1/2" deep socket ratchets	9/16" deep socket or 9/16" open-end wrench
5/32" Allen Wrench	5/16" open-end wrench	3/16" Steel drill bit

SELF DRILLING SCREW INSTALLATION RECOMMENDATIONS

When installing self-drilling screws, use a standard variable speed screw gun equipped with an adjustable clutch or depth locating nose piece. Take care not to over tighten or strip, set drill accordingly. **DO NOT USE IMPACT TYPE GUN WHEN INSTALLING SELF DRILLING SCREWS.** Securely clamp component parts in place before attaching with self-drilling screws.

INSTALLER TIPS

1. The installation will be best accomplished with a one or two-person crew.
2. Before starting, review all installation instructions pertinent to your layout (i.e. panels, doors, etc.)
3. "Face Side" of the partition is the outside. "Inside" of the partition has one leg of the panel frame pointing in. Panel fastener hardware will be on the inside of the partition.
4. Panels install vertically between posts.
5. Identify all posts and panels by part number. If possible, stage parts where they will be installed.
6. Special size panels have sticker tags on the angle and are referenced on the drawing.
7. Make sure all posts are installed plumb (vertically perpendicular to the floor). Shims (not provided) may be necessary.
8. Use a 5 1/4" spacer block (not provided) to support the far end of a panel during setup.
9. Begin the installation process at a building wall, end or corner of the layout.
10. Gauge hinge door opening width by installing a header angle.
11. Gauge slide door opening by door width (e.g. 48" between posts for 4' wide slide door). When necessary, slide door openings may be narrowed to adjust the length of an adjacent run.
12. Standard hinge and slide doors are universal and may be installed left or right hand.
13. The installer should touch up all nicks, marks, and scratches with touch up paint provided.

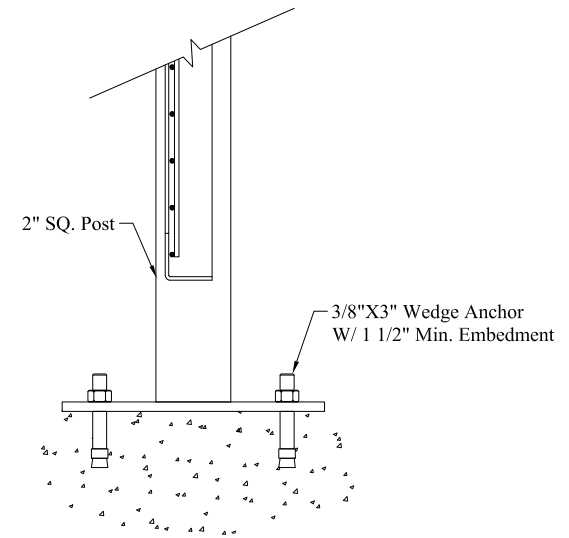
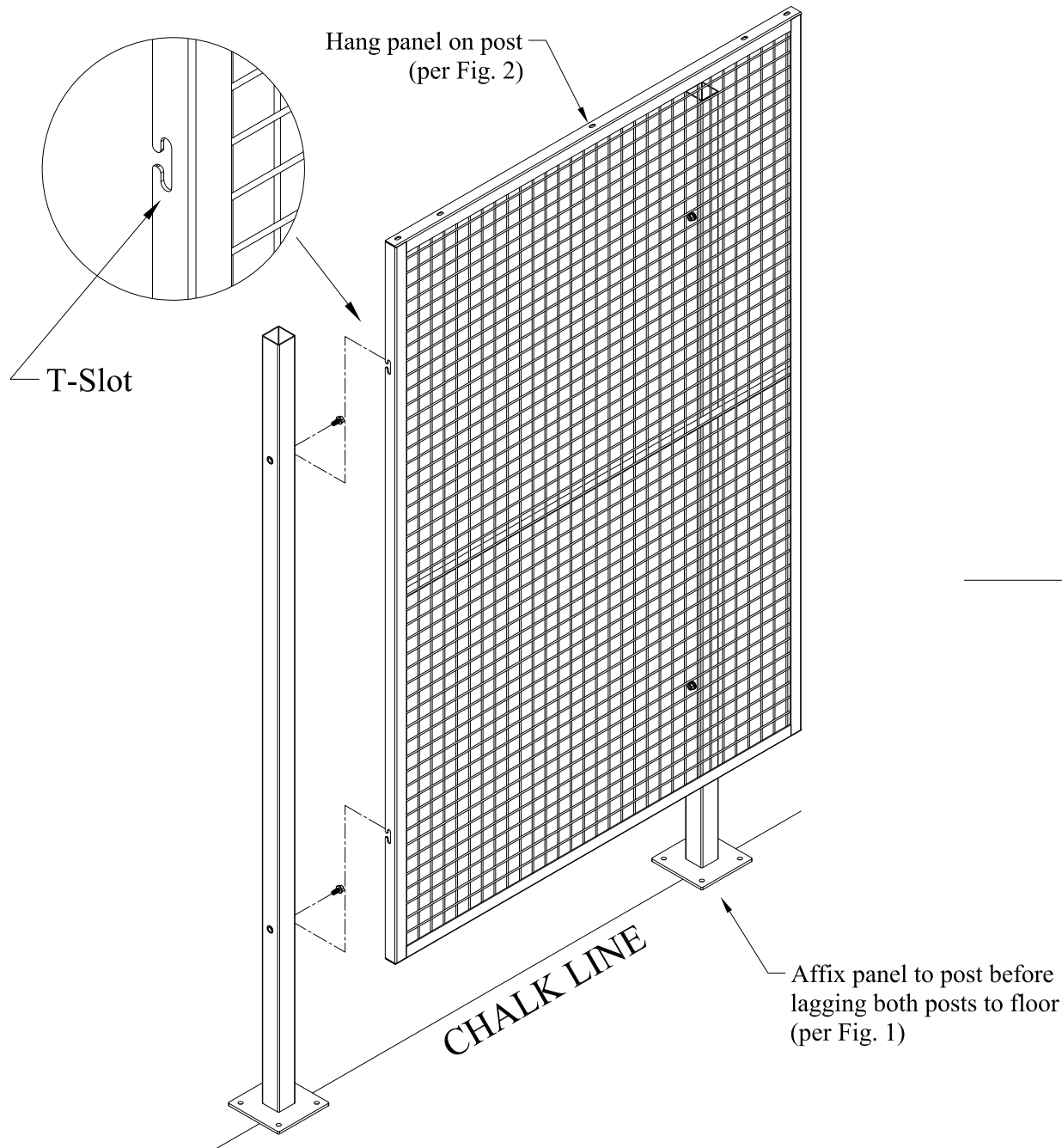


Fig.1

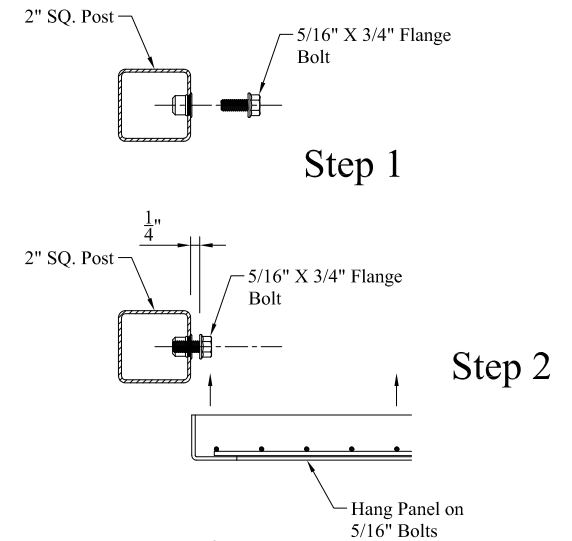
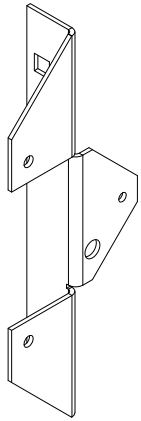
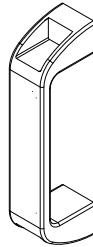


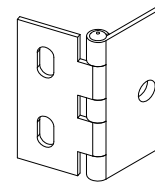
Fig.2



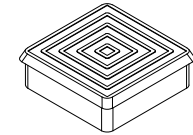
Bolt-On Door Handle Bracket
Quantity (1)
Part# HDPBBKTHNDL



Door Handle
Quantity (1)
Part# RGHANDLE



Door Hinge
Quantity (2)
Part# RTHDHG44IPL



Post Cap
Quantity (2)
Part# PCAPPLST

RTHDFSPK - Fastener Pack (Contents Below)

- (2) FS1412BHSCS - 1/4"-20 Button Head Sockets
- (2) FS381CB - 3/8"-18 x 1" Carriage Bolt
- (2) FS38N - 3/8" Hex Nut
- (8) FS38STA - 3/8" x 3" Wedge Anchor
- (10) FS51634FB - 5/16" x 3/4" Flange Hex Head Bolt
- (4) FS516FN - 5/16" Flange Nut
- (6) FS5161BHSCS - 5/16" x 1" Button Head Socket Cap Screw
- (6) FS14FW - 1/4" Flat Washer
- (1) HDPBMAG - Bolt-On Magnet
- (1) HDPBMAGANUT - M6-1.0 Stainless Steel Acorn Nut
- (1) HDPBMAGWSHR - Bonded Sealing Washer

Note: 6' System Height Shown
See Page 7 for 8' System Height

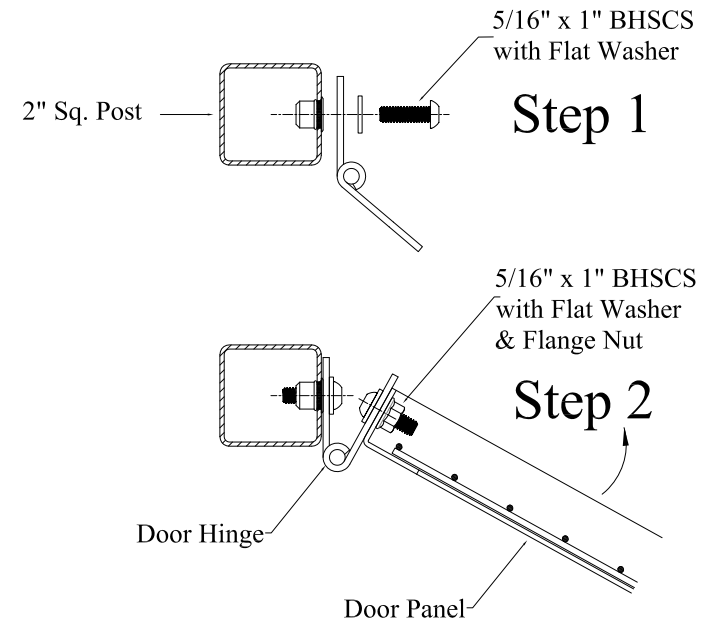
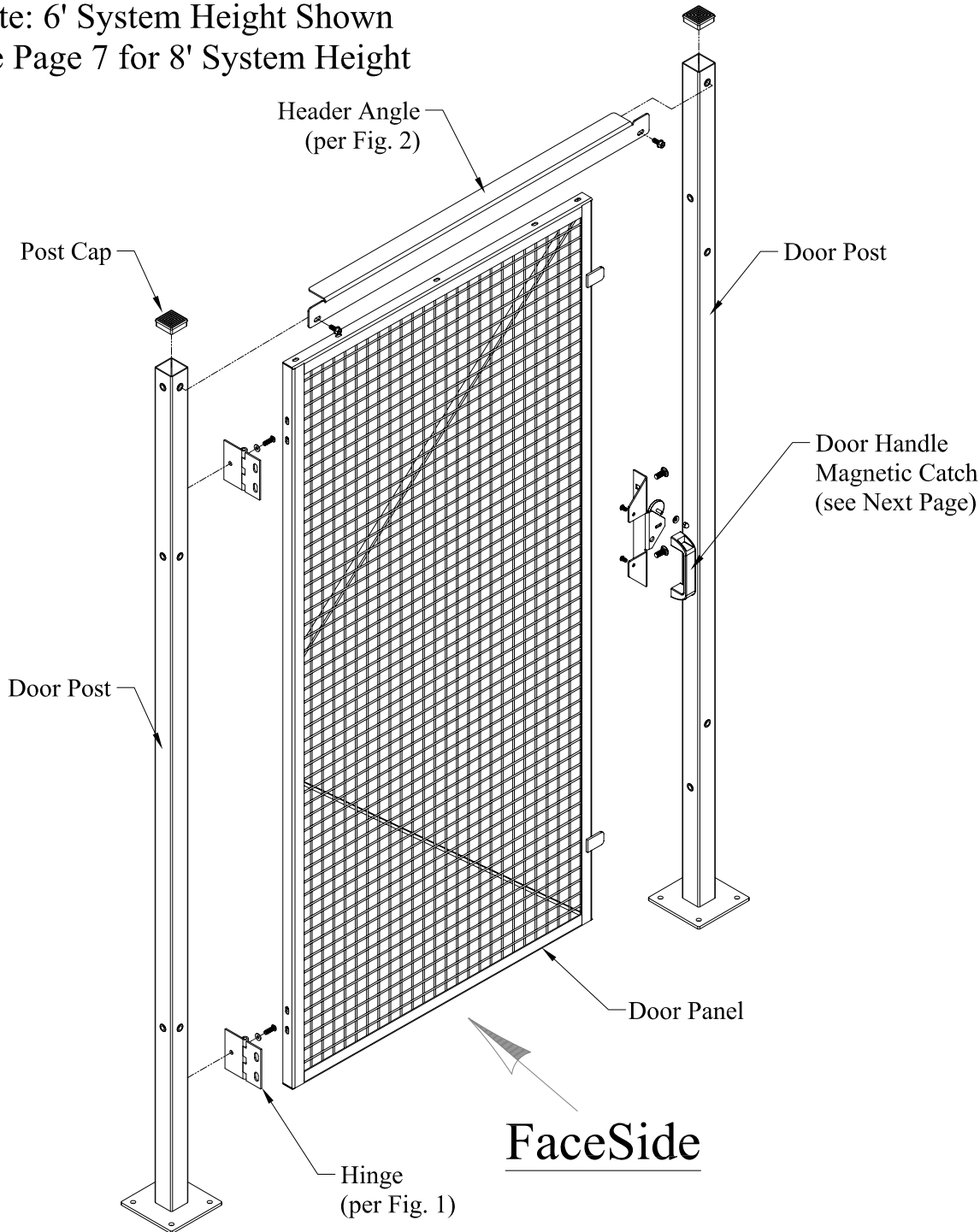


Fig. 1

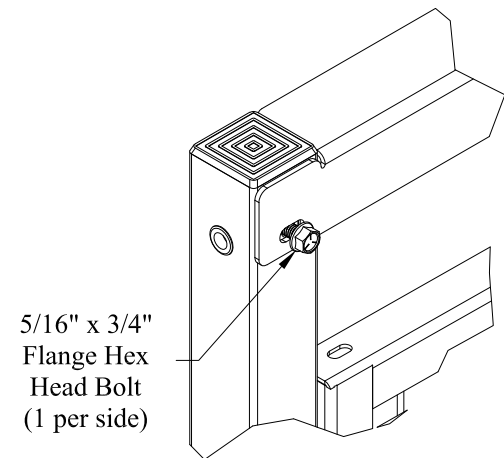
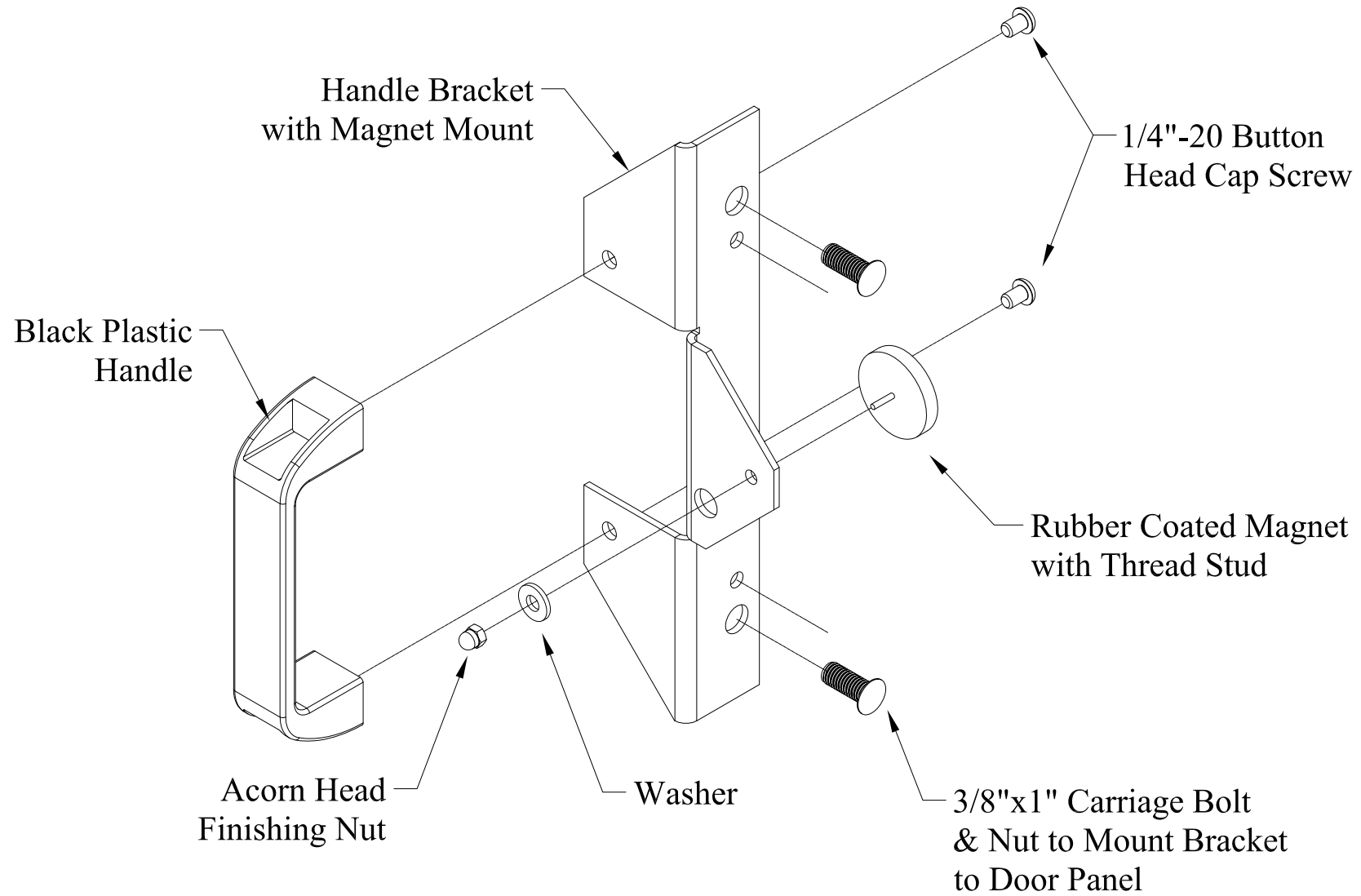
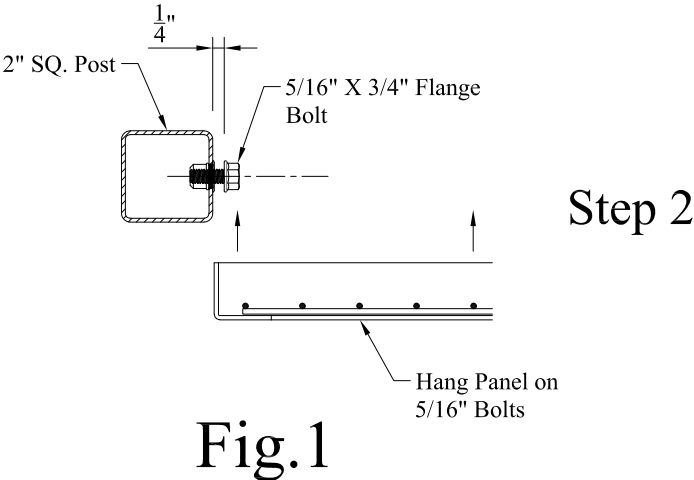
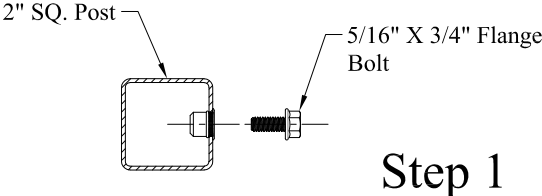
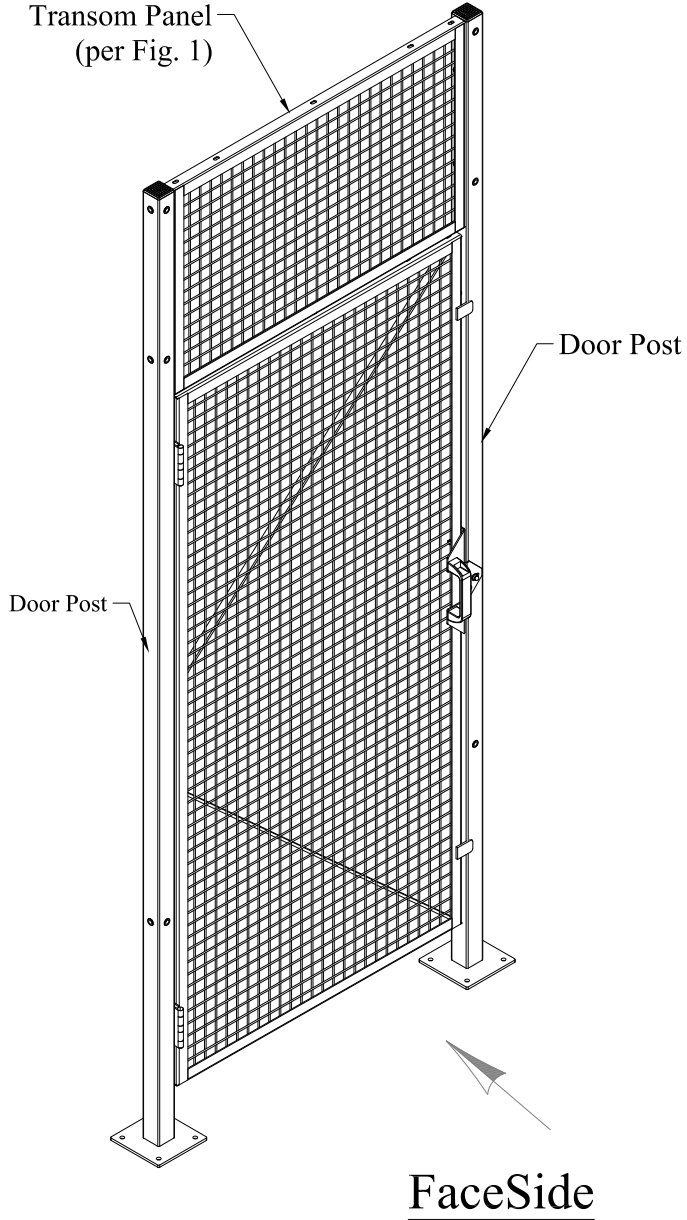
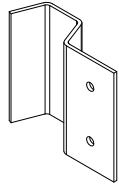


Fig. 2

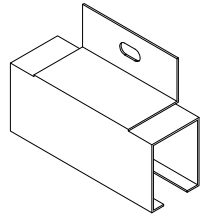


Note: 8' System Height Shown
See Page 5 for 6' System Height

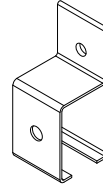




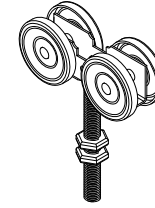
Keeper Plate
Quantity (1)
Part# RGSDKI



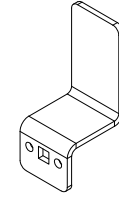
Splice Track Bracket
Quantity (1)
Part# SDTJBKT



Slide Door Track Bracket
Quantity (2)
Part# SDTCBKT



4 Wheel Trolley Truck
Quantity (2)
Part# SDTT4WH



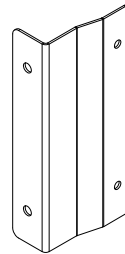
Door Guide
Quantity (1)
Part# RGSDGBO



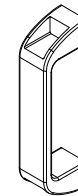
Flat
Quantity (1)
Part# RTAPFL



Panel Extension Bracket
Quantity (1)
Part# RGTRKXMB



Magnetic Handle Bracket
Quantity (1)
Part# SDMGBKTHNDL



Door Handle
Quantity (1)
Part# RGHANDLE



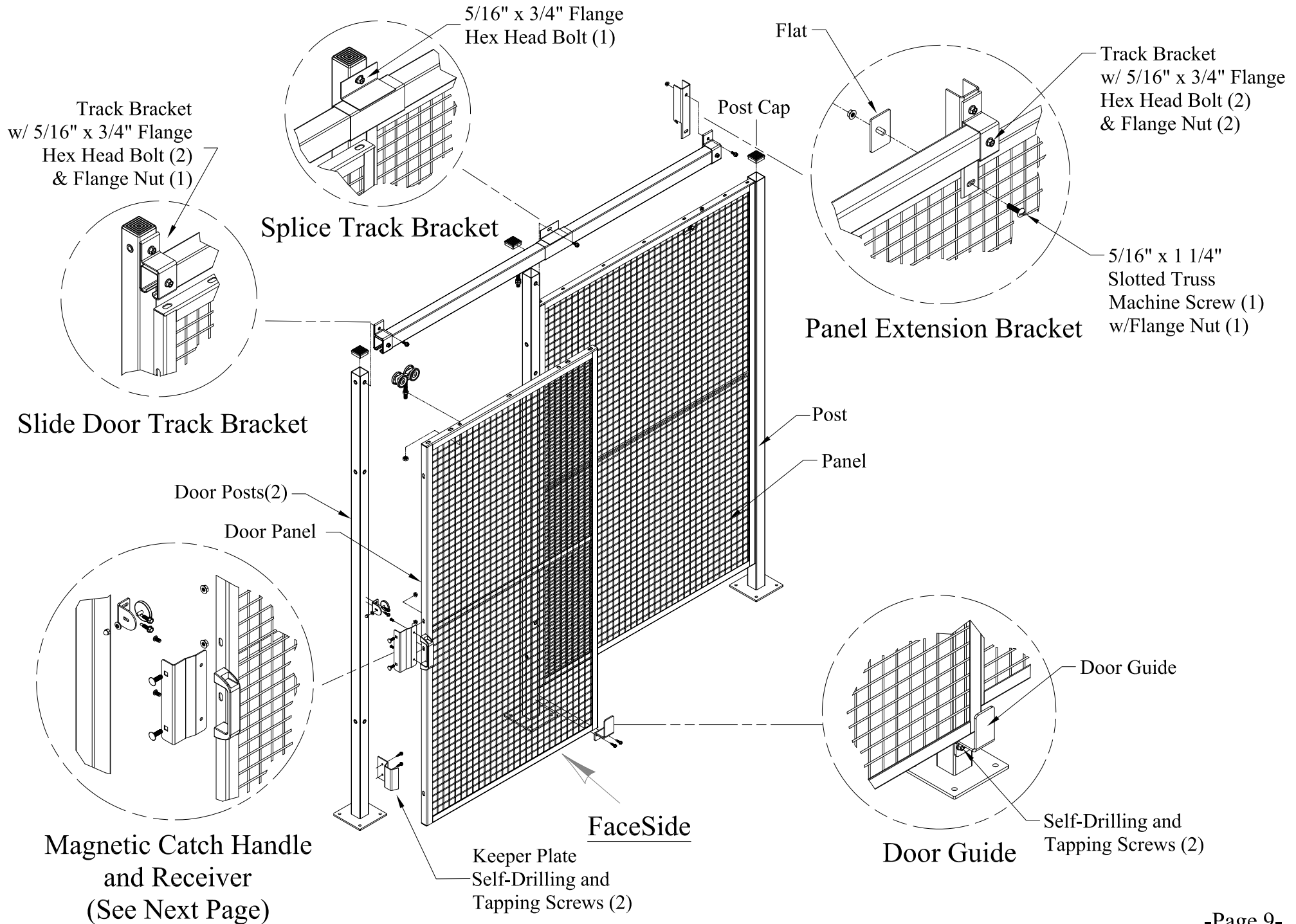
Magnetic Catch Receiver
Quantity (1)
Part# SDMGCTHRCVR

RTSDFSPK - Fastener Pack (Contents Below)

- (2) FS1412BHSCS - 1/4"-20 Button Head Sockets
- (6) FS14SDST - 1/4"-14 x 1" Self-Drilling & Tapping Screw
- (8) FS38STA - 3/8" Wedge Anchor
- (2) FS5161CB - 5/16" x 1" Carriage Bolt
- (12) FS51634FB - 5/16" x 3/4" Flange Hex Head Bolt
- (1) FS516114SM - 5/16" x 1 1/4" Slotted Truss Machine Screw
- (4) FS516FN - 5/16" Flange Nut
- (1) HDPBMAG - Bolt-On Magnet
- (1) HDPBMAGANUT - M6-1.0 Stainless Steel Acorn Nut
- (1) HDPBMAGWSHR - Bonded Sealing Washer



Post Cap
Quantity (2)
Part# PCAPPLST

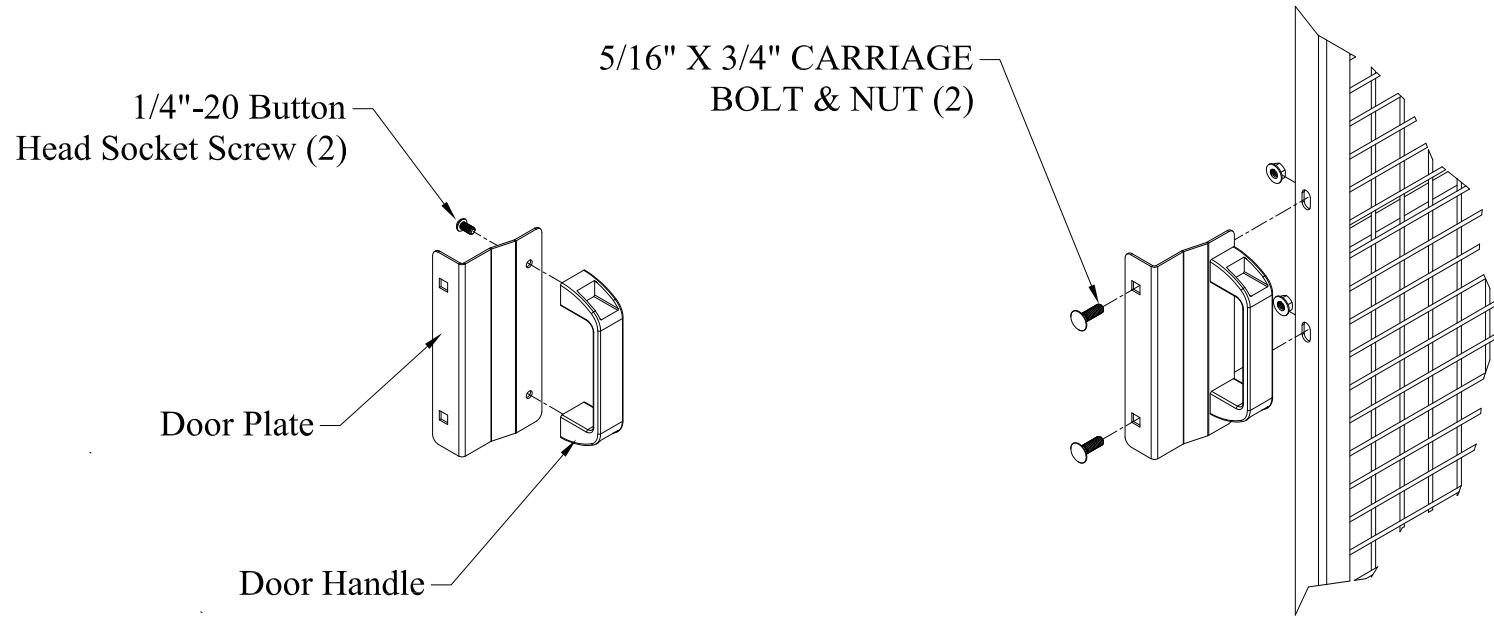


1/4"-20 Button
Head Socket Screw (2)

Door Plate

Door Handle

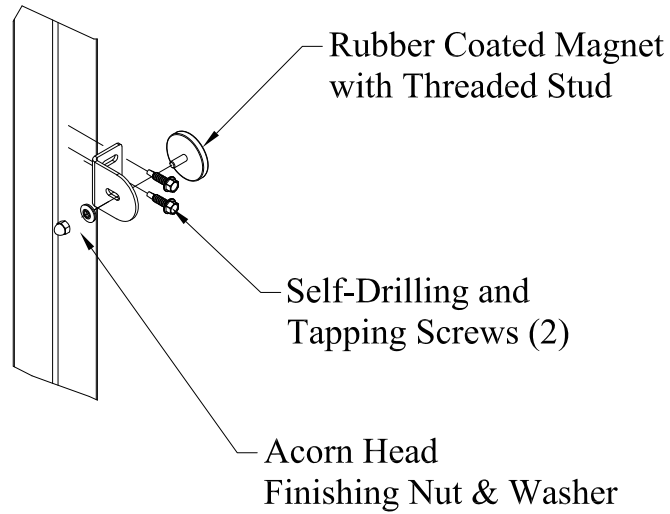
5/16" X 3/4" CARRIAGE
BOLT & NUT (2)

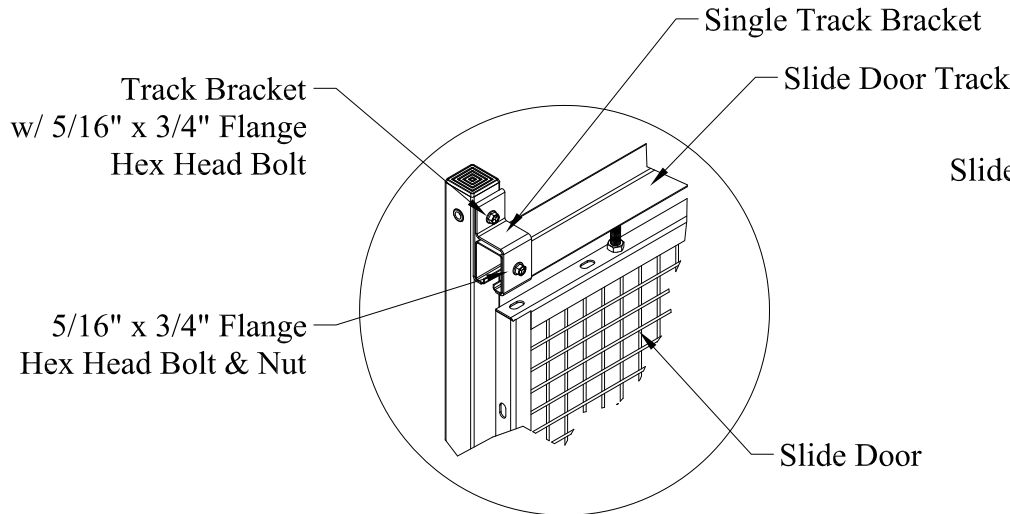


Rubber Coated Magnet
with Threaded Stud

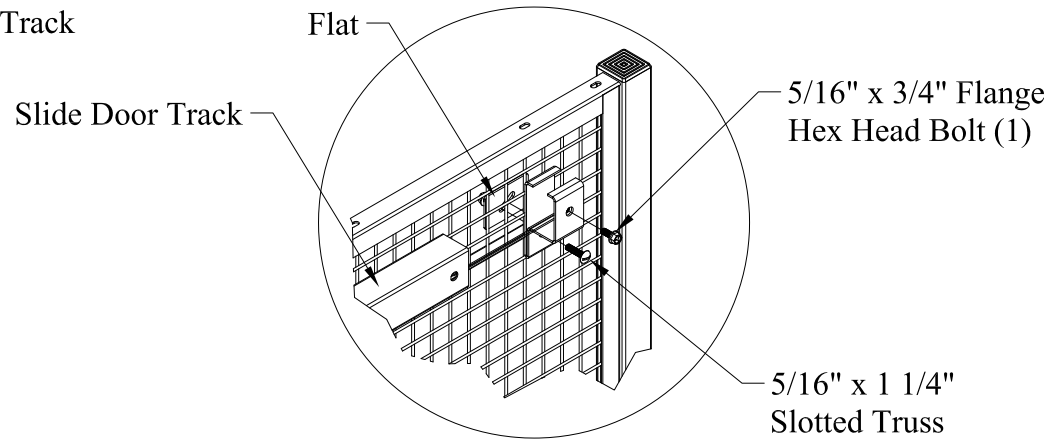
Self-Drilling and
Tapping Screws (2)

Acorn Head
Finishing Nut & Washer

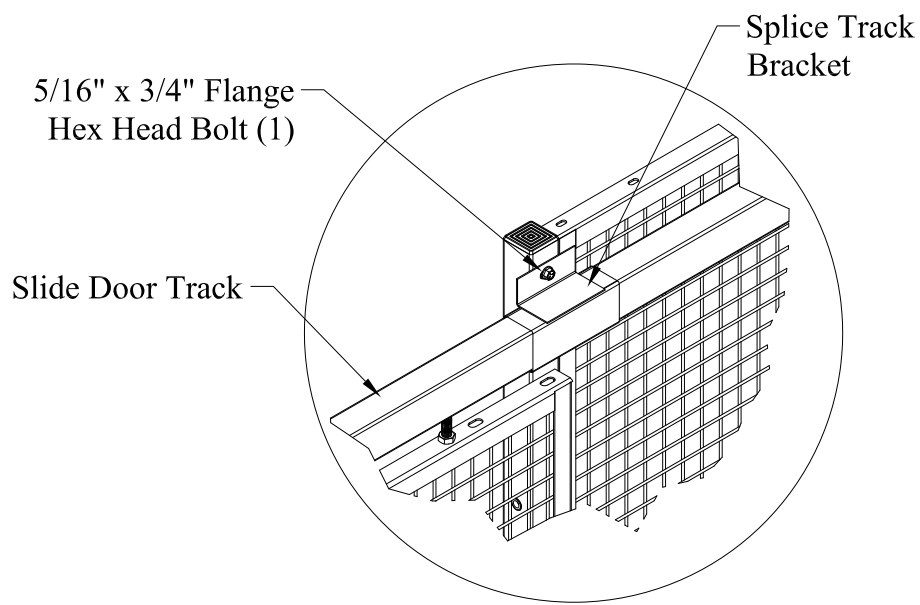




Single Track Bracket

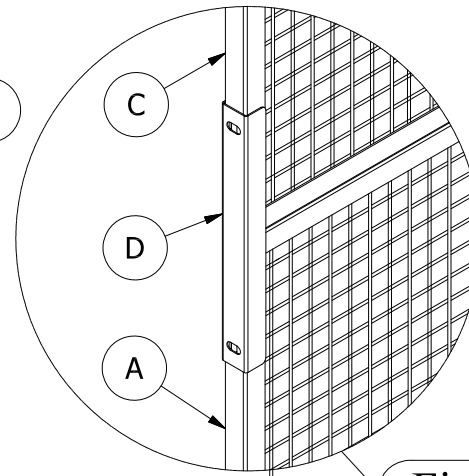
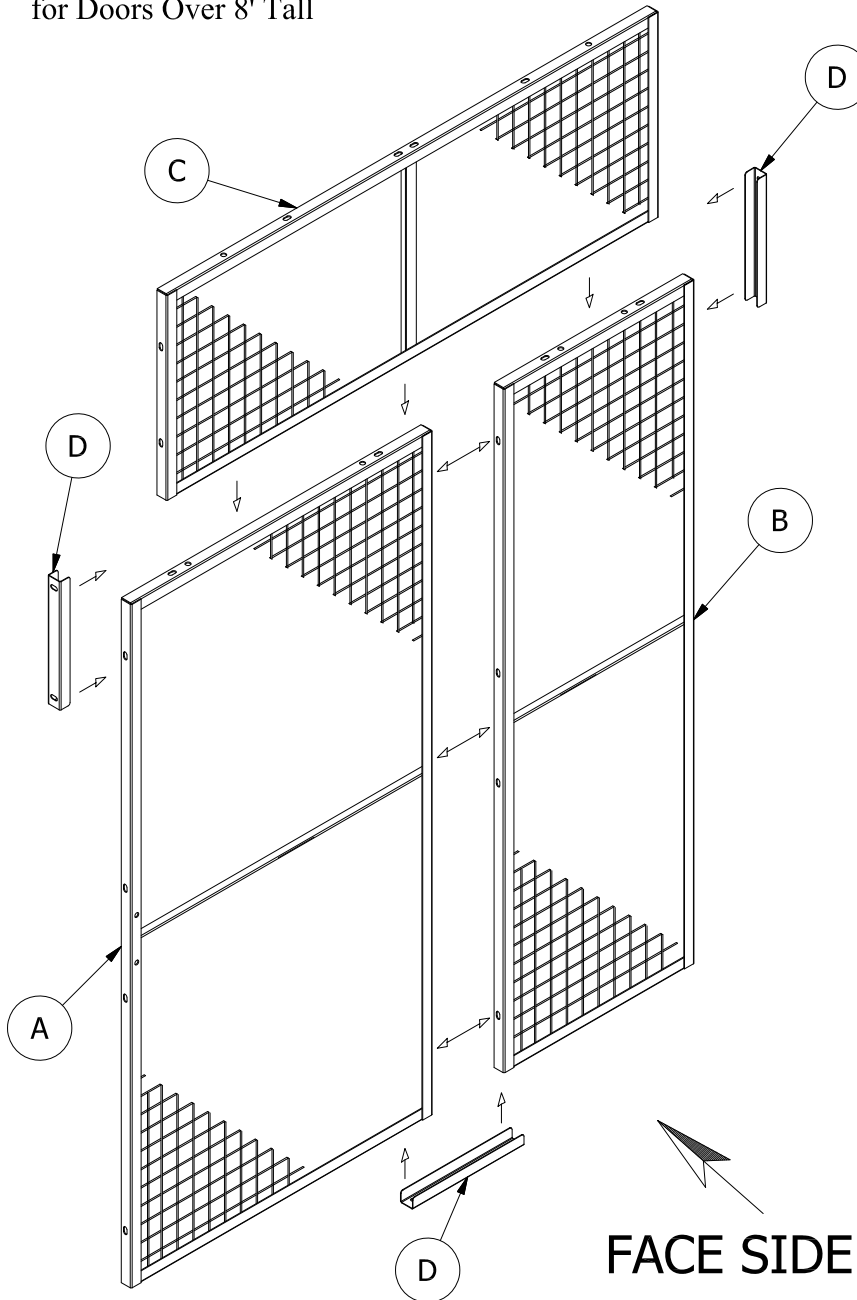


Single Track Bracket to Mesh



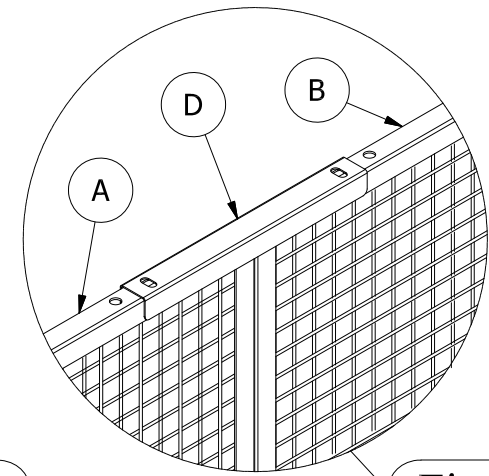
Splice Track Bracket

NOTE: Part (C) Door Extension Panels
for Doors Over 8' Tall



8' High Doors

Fig.1



6' High Doors

Fig.2

SLIDE DOOR PANEL ASSEMBLY

- (1) Attach door panel (A) to leaf panel (B) with 3/8"x1" carriage bolts.
- (2) For doors over 8' high, attach Door Extension Panel (C)
 - a. Attached two 18" DEP Channels (D) with 3/8"x1" carriage bolts to splice connection between door and Door Extension Panel see Fig. 1.
- (3) For 6' high doors, attach one 18" DEP Channel (D) per joint to top frame with 3/8"x1" carriage bolts. See Fig.2.
- (4) Attach lower DEP Channel (D) to bottom of door with 3/8"x1" carriage bolts and nuts.

Thanks for using

WireCrafters

RapidGuard™ II partitions.