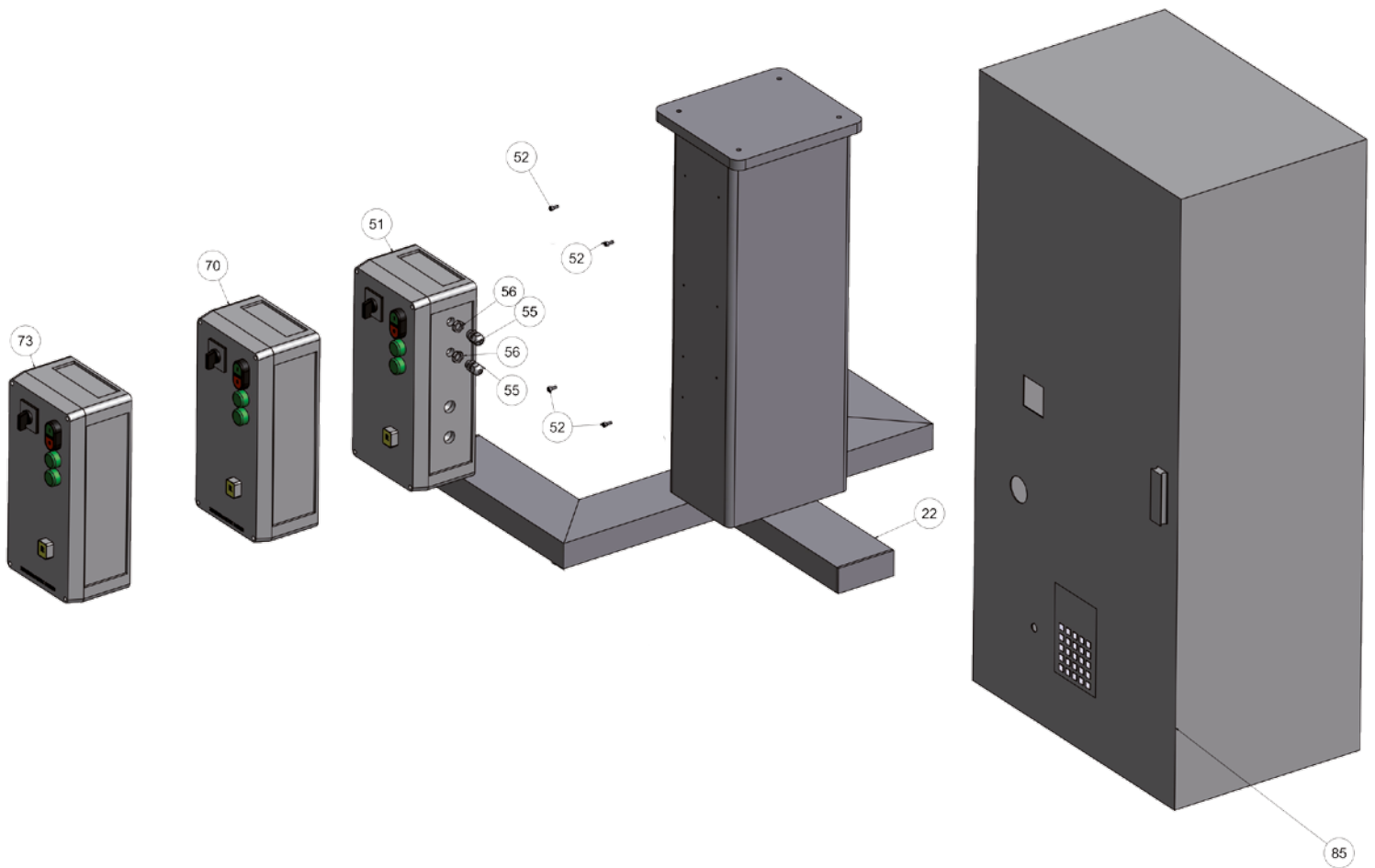


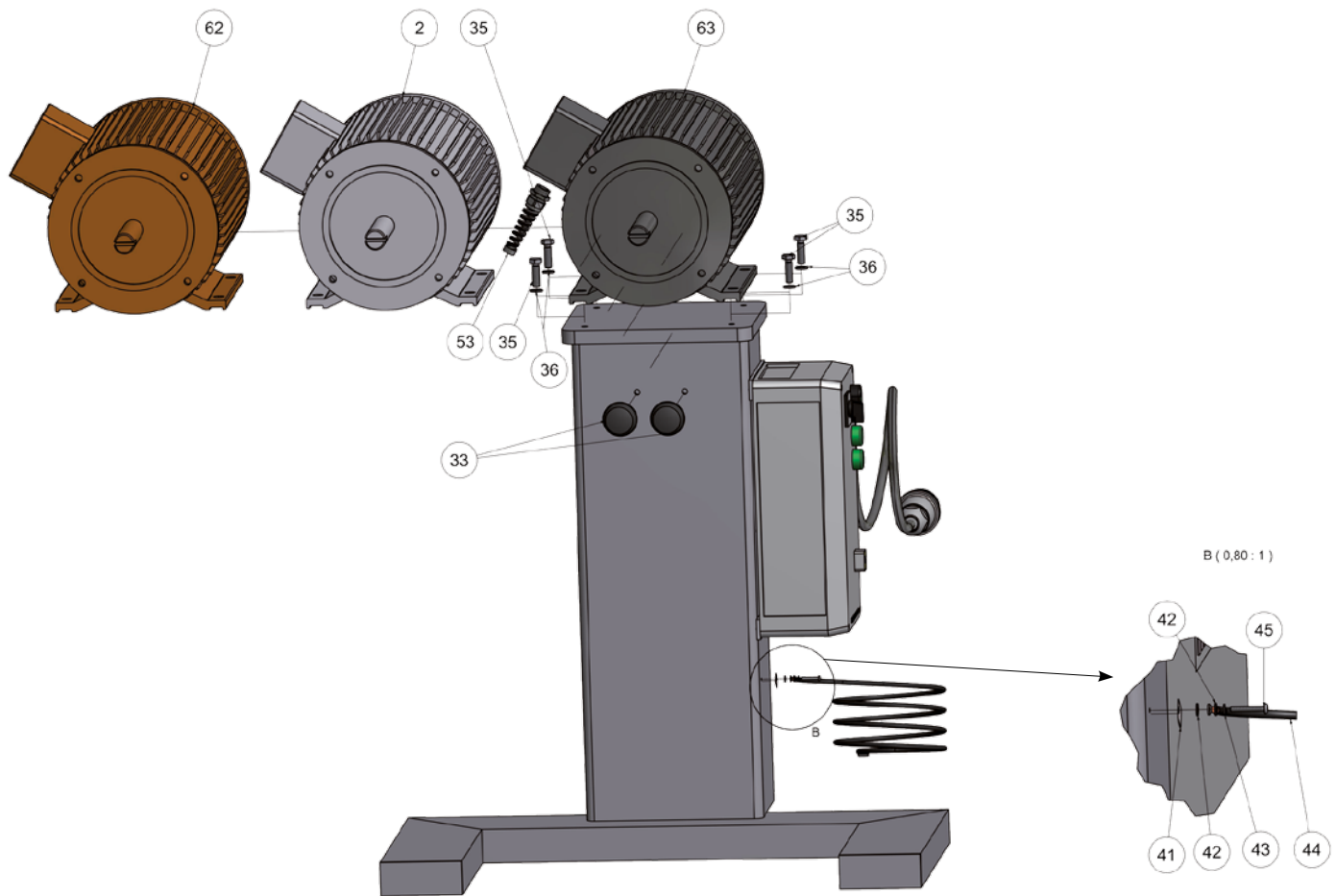
Valid from 1st October 2014
 Supersedes all previously issued spare parts lists

Subject to change without prior notice.



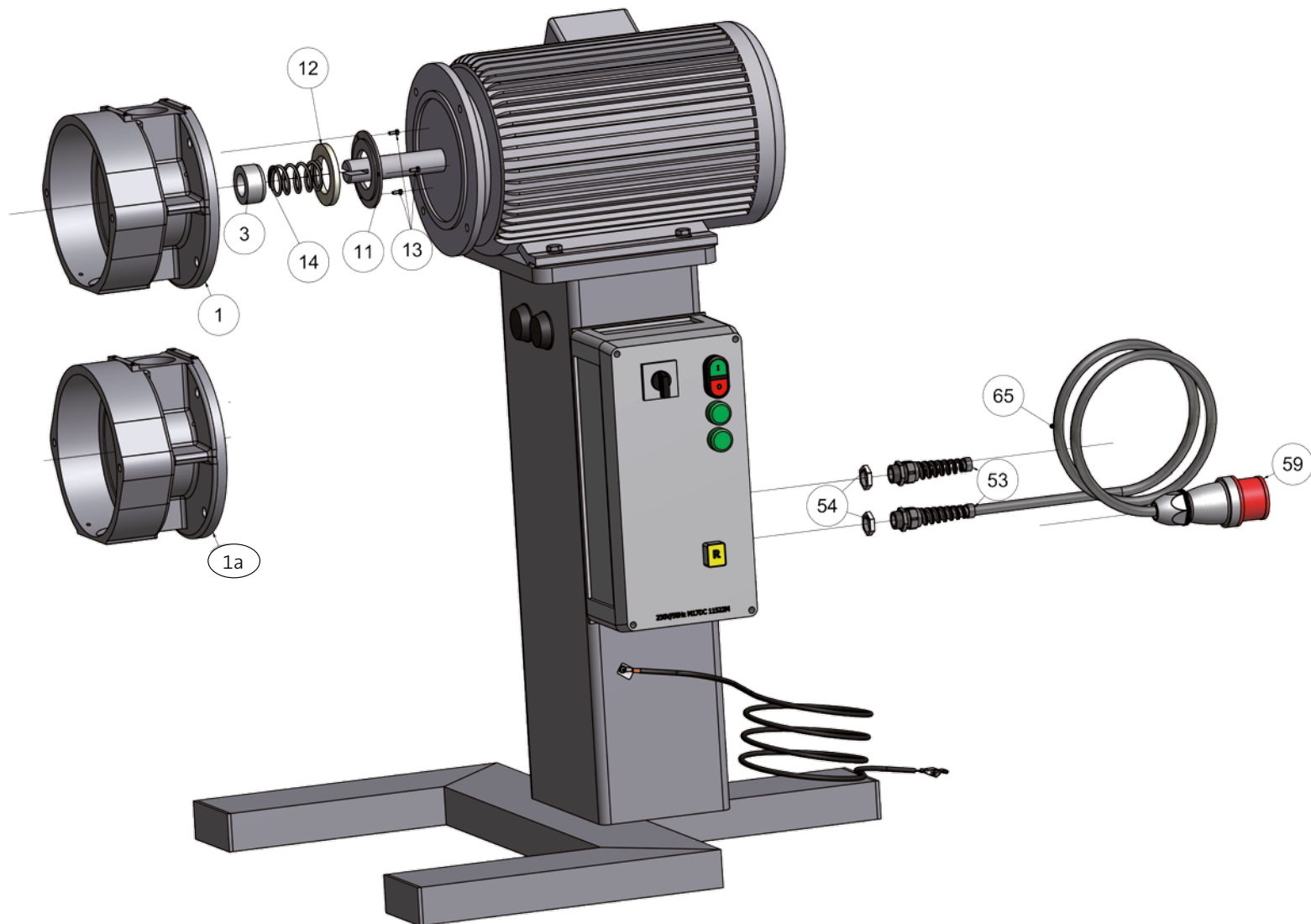
Model: DK 27

ARTICLE NO.	DRAWING NO.	DESCRIPTION
306480	22	Base DK27
306481	51	Motor starting unit 380-440V 50/60Hz (electric components box)
301638	52	Cylinder screw M5 x 12 DIN912 8.8 zn.
304809	55	Screwed cable gland PG9 SKINTOP ST grey
304811	56	Counter nut PG9 Skintop GMP-GL9 grey
305683	70	Motor starting unit DK27 208V 50/60Hz (electric components box)
305684	73	Motor starting unit DK27 230V 50/60Hz (electric components box)
310453	85	Switchbord DK27 POD (electric components board)
will be connected to Planetary gear and Servomotor (p.9 No.77&78)		



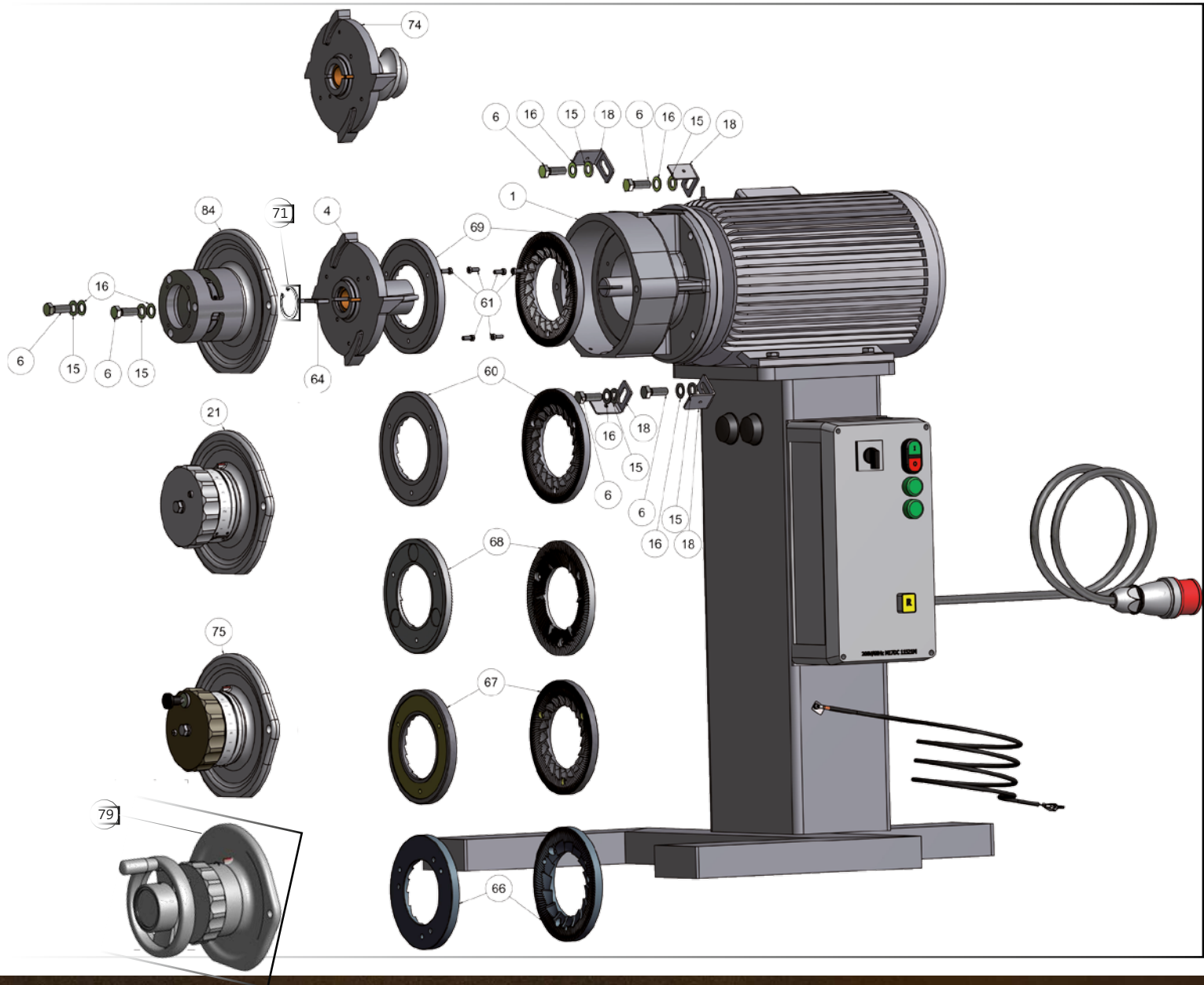
Model: DK 27

ARTICLE NO.	DRAWING NO.	DESCRIPTION
302564	2	Motor (Type BGR132 B3) 380-440V / 50/60Hz / 3~ / 5,5kW (STATE COLOUR)
302742	33	Stopper buffer 50x17
305561	35	Hex nut screw DIN933 M10x35 8.8
301214	36	Spring washer form A 10,2 mm
301876	41	Sign „protective earth“
305647	42	Washer DIN125 A4,3 gal Zn
305515	43	Spring washer DIN127 A4 gal Zn
305896	44	Ground strap with crocodile clip and cable lug
301182	45	Safety screw 4 x 25 A2 ISO 50500
301209	53	Screwed cable gland PG16, bend protection spiral. Skintop BS
302565	62	Motor (Typ 13MM6-265) 230V / 50/60Hz / 3~ / 5,5kW (STATE COLOUR)
302566	63	Motor (Typ 13MM6-266) 200-220V / 50/60Hz / 3~ / 5,5kW (STATE COLOUR)



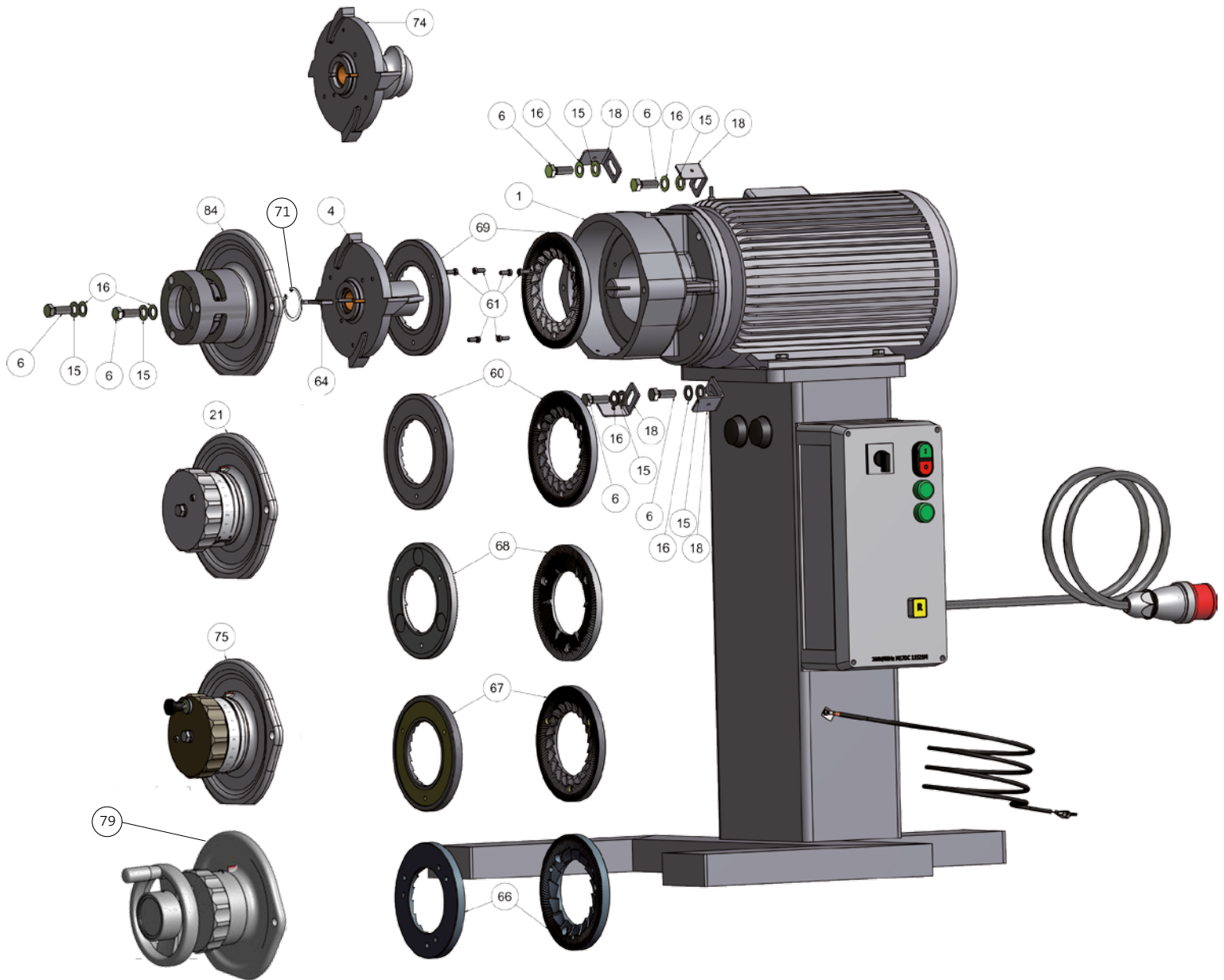
Model: DK 27

ARTICLE NO.	DRAWING NO.	DESCRIPTION
305662	1	Grinder casing DK27 (STATE COLOUR)
300052	1a	Grinder casing DP27 / DG27 (pepper, spices / grain) - (STATE COLOUR)
306011	3	Distance bush DK27
305167	11	Compression ring DK27, diameter 110 x 5
300994	12	Felt ring 80/50 x 8
301502	13	Flat head screw M4 x 10 DIN85 4.8 zn.
302012	14	Pressure spring (DK17L) 3,6xd36,4x45,1x2,5mm
301209	53	Screwed cable gland PG16, Knickschutzsp. Skintop BS
301205	54	Locknut PG16 Skintop GMP-GL16 grey
302454	59	CEE Power plug 380V/16A 5 pole
302023	65	Power cord 5 x 1,5 mm ² Oelflex-150 QUATTRO au



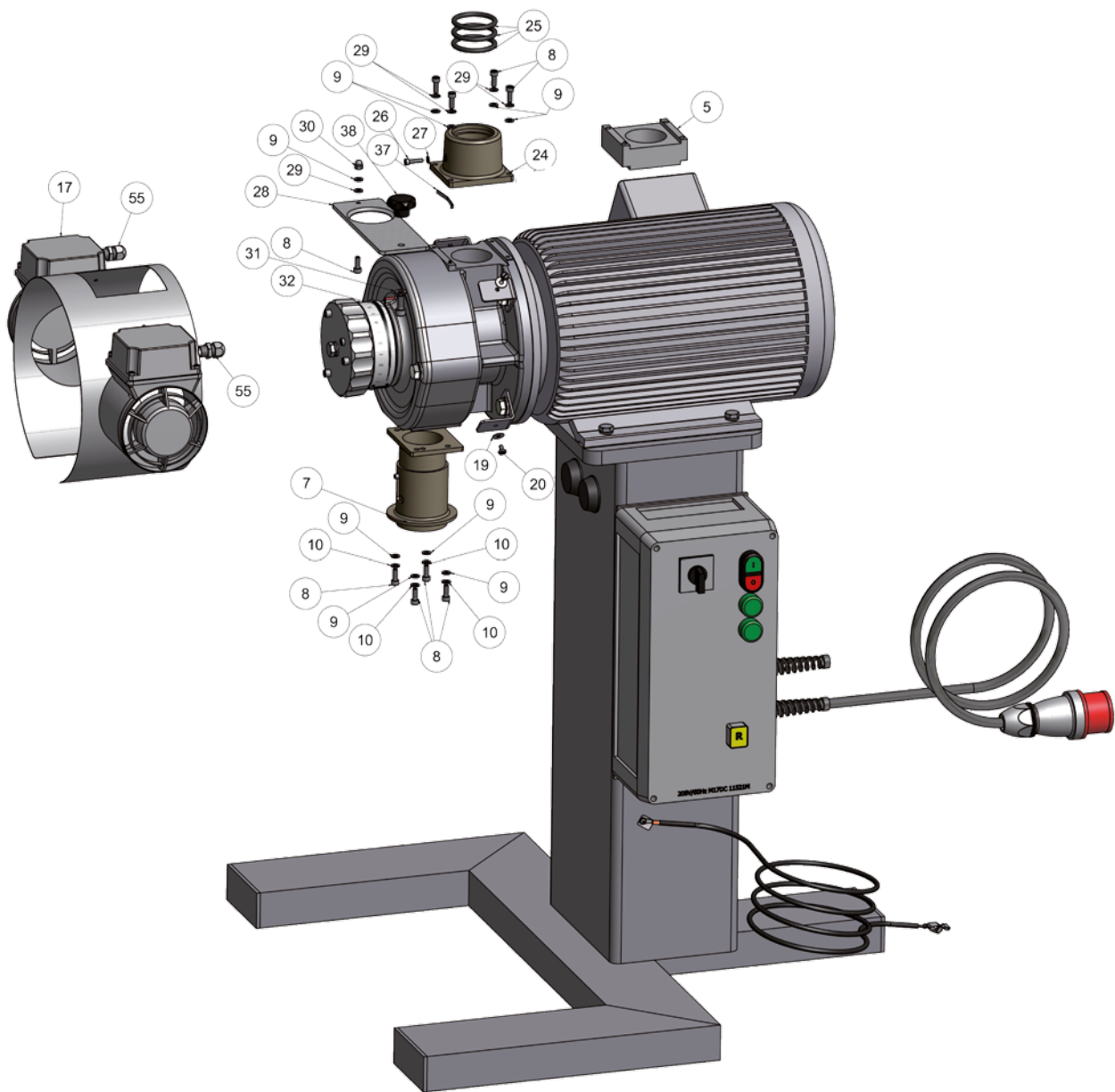
Model: DK 27

ARTICLE NO.	DRAWING NO.	DESCRIPTION
308029	4	Pre breaker DK27 (from serial number 357939)
301482	6	Hex nut screw M12x35 DIN933 8.8 verz.
301280	15	Washer DIN125 A13 gal Zn
301507	16	Spring washer B12 DIN137 zn.
305771	18	Assembly bracket ventilation unit DK27
309863	21	Assembly group grinder casing cover DK27 standard manual grind adjustment
303954	60 (+61)	Grinding disc set DK27LST (steel, turkish fine)
305581	61	Flat head screw DIN85 M6x16 4.8 gal Zn
308028	64	Shear plate DK27 (from serial number 357939) - always with retaining ring (see below)
305227	66 (+61)	Grinding disc set DK27LHMT (tungsten carbide, turkish fine)
305226	67 (+61)	Grinding disc set DK27LHM (tungsten carbide)
303952	68 (+61)	Grinding disc set DK27L (cast steel)
303950	69 (+61)	Grinding disc set DK27LS (steel)



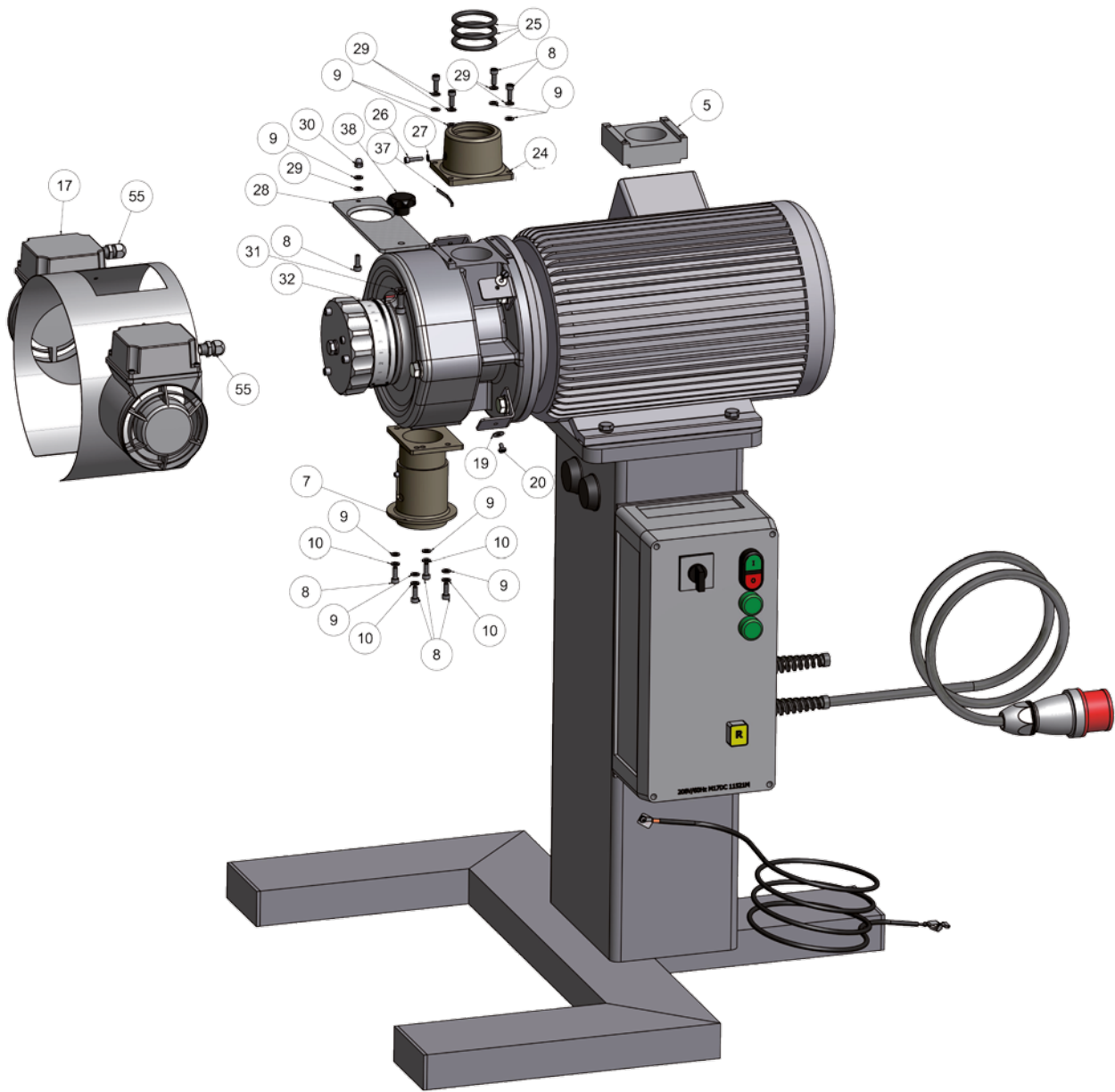
Model: DK 27

ARTICLE NO.	DRAWING NO.	DESCRIPTION
301713	71	Retaining ring I40 x 1,75 DIN472 (Seeger)
100192	74	Pre-breaker for DK27 grind speed increase
307894	75	Assembly group grinder casing cover DK27 stepless adjustment (STATE COLOUR)
101451	79	Assembly group grinder casing cover DK27 stepl. adj. with indication (COLOUR)
307822	84	Assembly group grinder casing cover DK27 POD (STATE COLOUR)



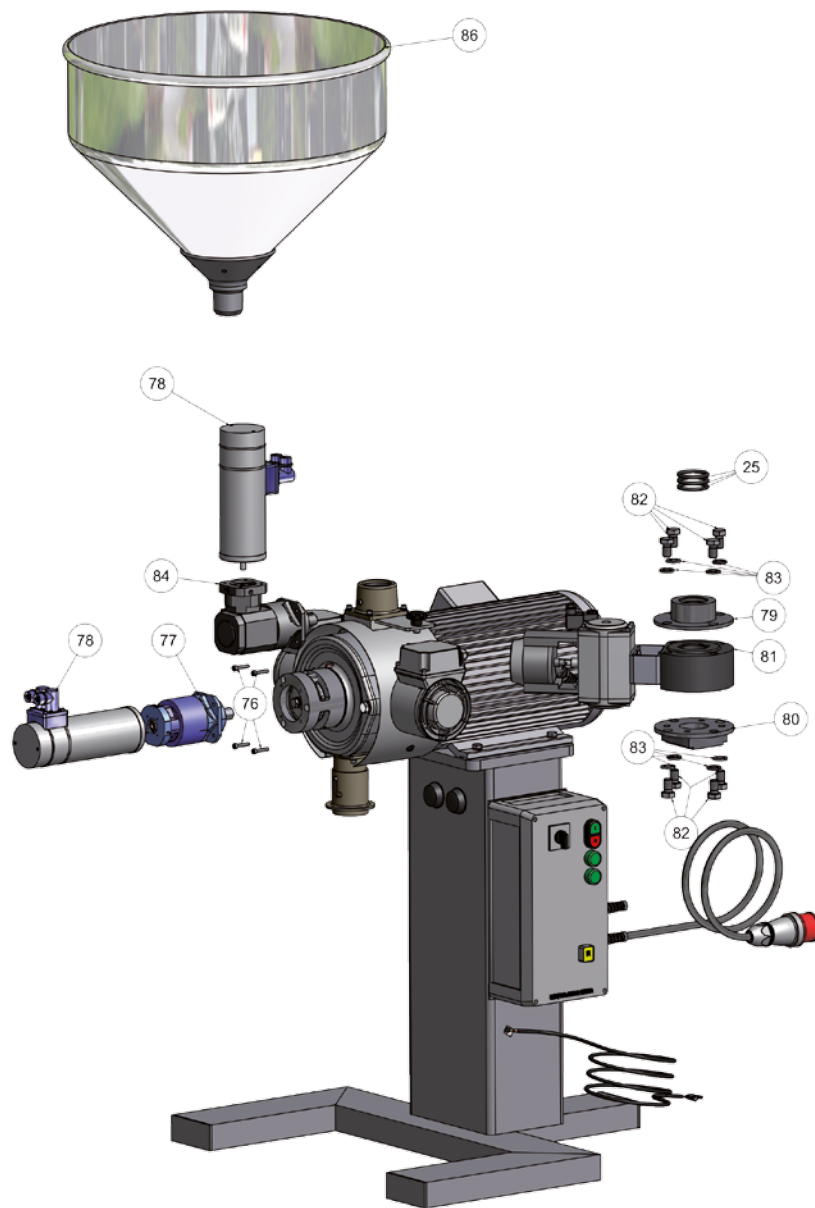
Model: DK 27

ARTICLE NO.	DRAWING NO.	DESCRIPTION
305964	5	Spacer block infeed grinder casing DK27
306497	7	Spout complete DK27
301427	8	Cylinder screw M6x16
305649	9	Washer DIN125 A6,4 gal Zn
301311	10	Spring washer DIN127 A6,4 gal Zn
305685	17	Ventilation unit for grind chamber DK27 (mounting ring + 2 fans)
301378	19	Washer DIN9021 5,3 100/140HV gal Zn
301367	20	Flat head screw M5x8 DIN85 4.8 zn.
310998	24	Infeed tube flange DK27 machined
302762	25	O-ring 55x6
301458	26	Cylinder screw M5x20 DIN912 8.8 zn.
305648	27	Washer DIN125 A5,3 gal Zn
305375	28	Hopper slider DK27



Model: DK 27

ARTICLE NO.	DRAWING NO.	DESCRIPTION
305517	29	Spring ring DIN127 A6
301464	30	Cap nut M6
305650	31	Washer DIN125 A8,4
301274	32	Cylinder screw M8x20
301994	37	Lock spring DK15 / DK27
300424	38	Star handle D=40 mm M8
304809	55	Screwed cable gland PG9 SKINTOP ST grey



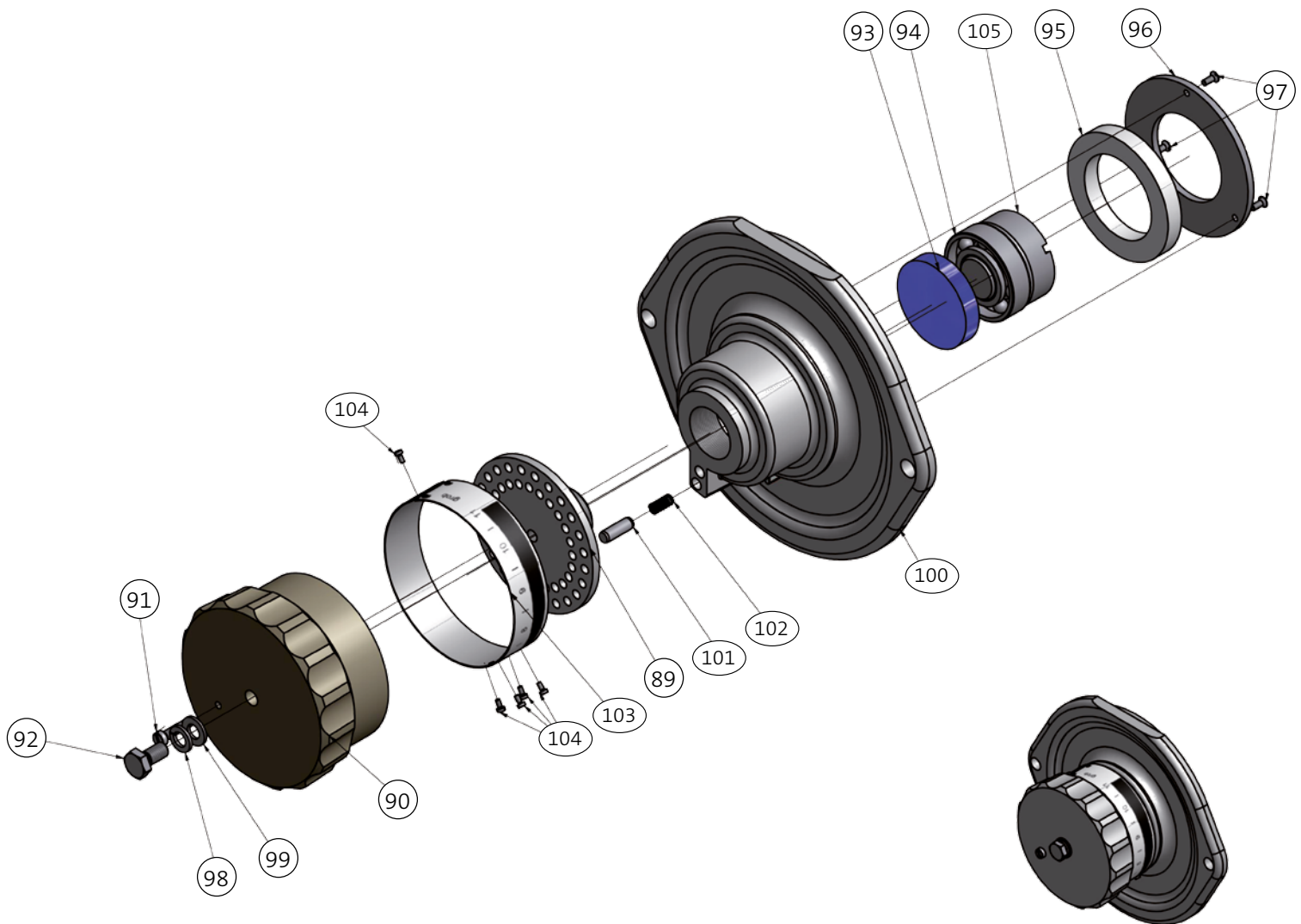
Model: DK 27

ARTICLE NO.	DRAWING NO.	DESCRIPTION
302762	25	O-ring 55x6
301384	76	Cylinder screw M6 x 30 DIN912 8.8
310452	77	Planetary gear for DK27 POD (will be connected to Switchbord DK27 POD - p.2 no.85)
310451	78	Servomotor for DK27 POD (will be connected to Switchbord DK27 POD - p.2 no.85)
307729	79	Flange schutter top
307730	80	Flange schutter below
307273	81	Flange-valve with pneumatic drive
310083	82	Hex nut screw M16 x 25 DIN933 8.8
310084	83	Spring ring DIN127-B-M16
310075	86	Hopper complete (for DK27 POD only)



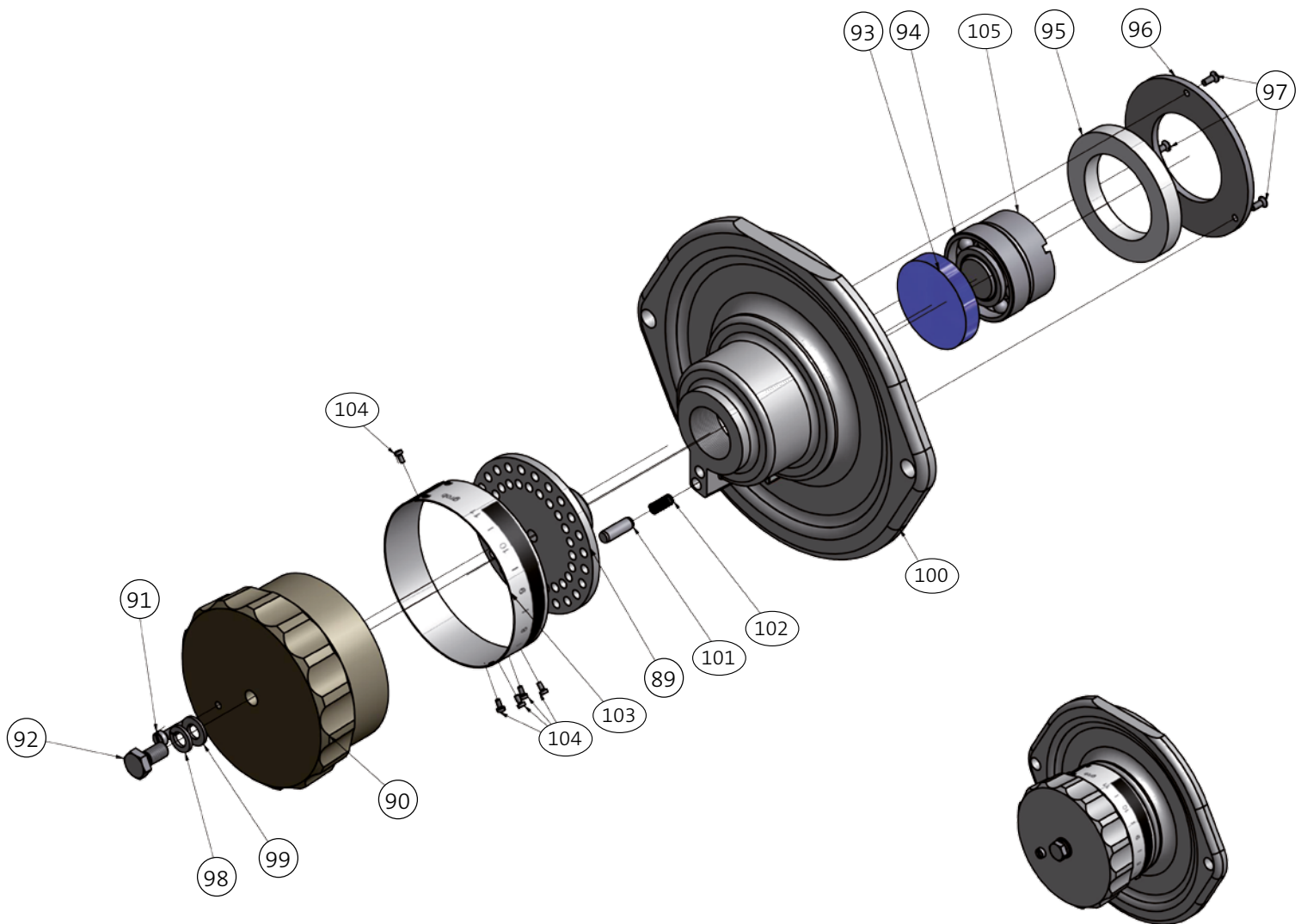
Model: DK 27

ARTICLE NO.	DRAWING NO.	DESCRIPTION
305380	23	Hopper complete
305381	34	Hopper magnet complete
301876	41	Sign „protective earth“ 20x15
101794	46	Grounds cart with earthing pin
301094	47	Lid for cart with handle and infeed bore hole
305583	48	Flat head screw DIN85 M5x25 4.8 gal Zn
300880	49	Bush 20mm
301636	50	Hex nut EN24 032 (DIN934) M5 gal Zn



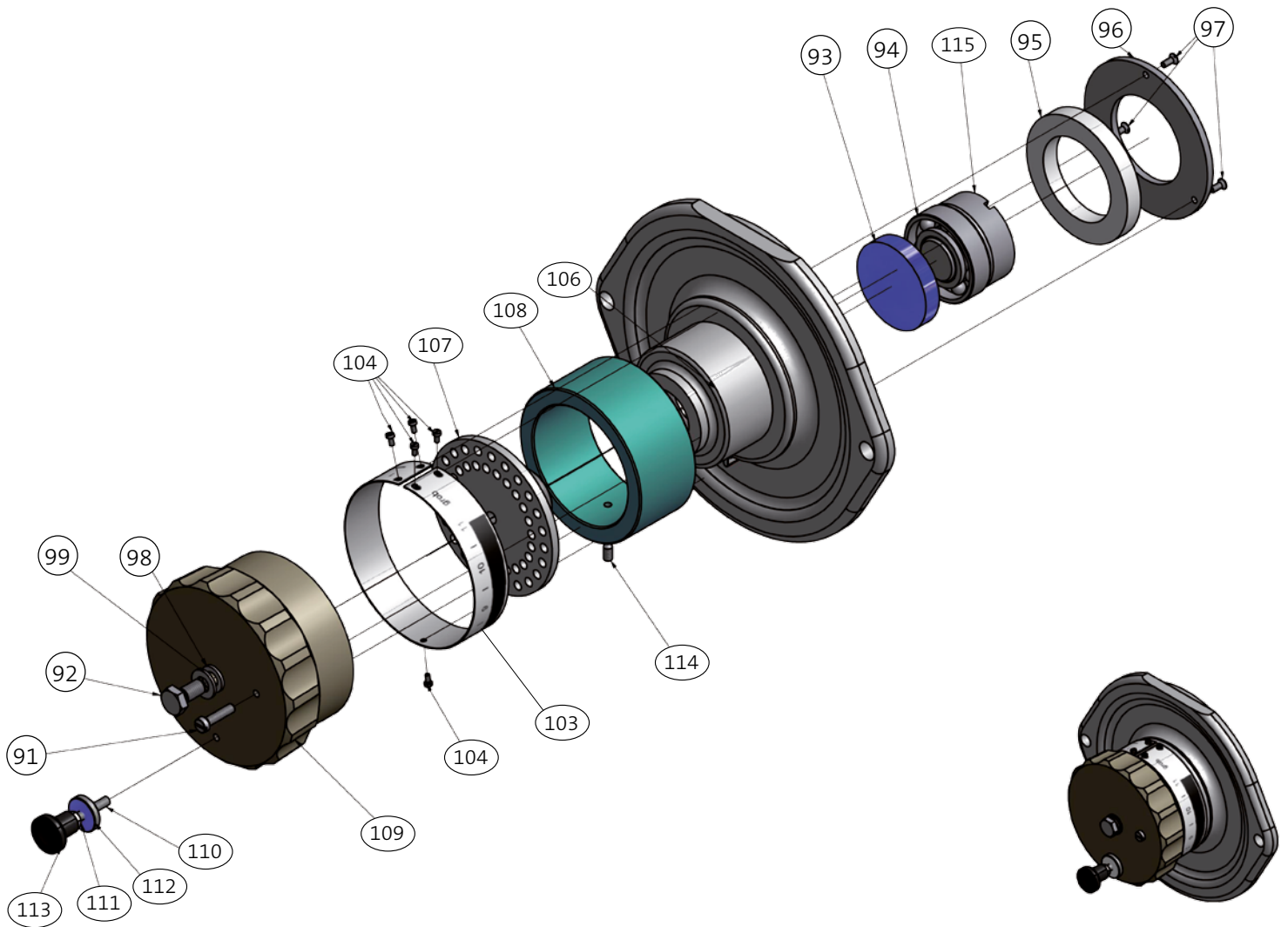
Model: DK 27

ARTICLE NO.	DRAWING NO.	DESCRIPTION
300957	89	Adjustment screw DK27 steel
300055	90	Adjustment cap DK27
305622	91	Cylinder screw DIN84 M6x25 4.8 gal Zn
301565	92	Hex nut screw M10 x 20 DIN933 8.8 zn.
300622	93	Counter spacer DK27
301024	94	Angular ball bearing 7206 BEP DK7 / DK27
300995	95	Felt ring 90/60 x 12
305165	96	Compression ring DK27, diameter 110 x 5
301264	97	Countersunk head screw M4x10 DIN963 4.8 zn.
301214	98	Spring washer form A 10,2 mm
301381	99	Washer DIN125 A10,5
300053	100	Grinder casing cover DK27 (STATE COLOUR)
301570	101	Cylinder pin 8m6 x 24



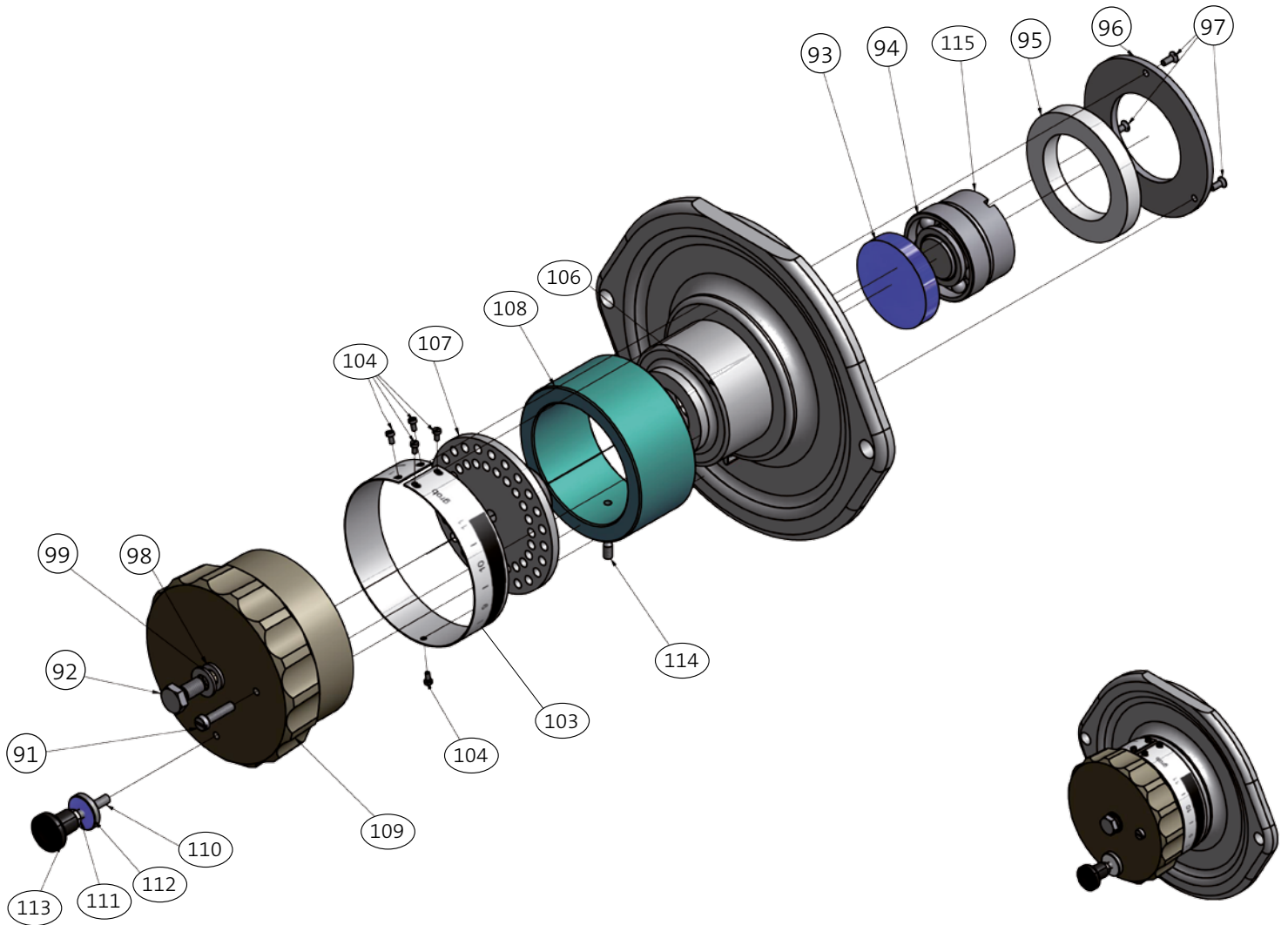
Model: DK 27

ARTICLE NO.	DRAWING NO.	DESCRIPTION
301973	102	Pressure spring D129 1.12 / 0,8x6,3x15,5x5,5
301864	103	Label grind adjustment DK27, silver/black
301661	104	Flat head screw M3 x 4 DIN85 #4.8 zn.
308021	105	Ball bearing seat DK27 with groove for shear plate (from serial number 357939)



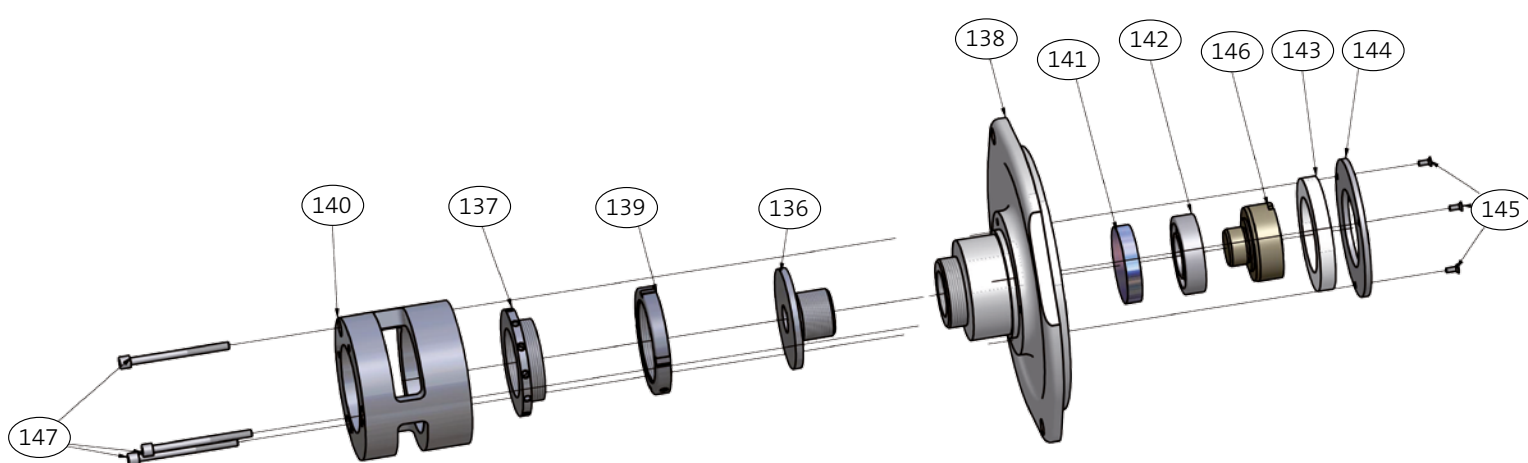
Model: DK 27

ARTICLE NO.	DRAWING NO.	DESCRIPTION
305622	91	Cylinder screw DIN84 M6x25 4.8 gal Zn
301565	92	Hex nut screw M10 x 20 DIN933 8.8 zn.
300622	93	Counter spacer DK27
301024	94	Angular ball bearing 7206 BEP
300995	95	Felt ring 90/60 x 12
305165	96	Compression ring DK27, diameter 110 x 5
301264	97	Countersunk head screw M4x10 DIN963 4.8 zn.
301214	98	Spring washer form A 10,2mm
301381	99	Washer DIN125 A10,5
301864	103	Label grind adjustment DK27, silver/black
301661	104	Flat head screw M3 x 4 DIN85 #4.8 zn.
307887	106	Grinder housing lid DK27 stepless adjustment (STATE COLOUR)
300957	107	Adjustment screw DK27 steel



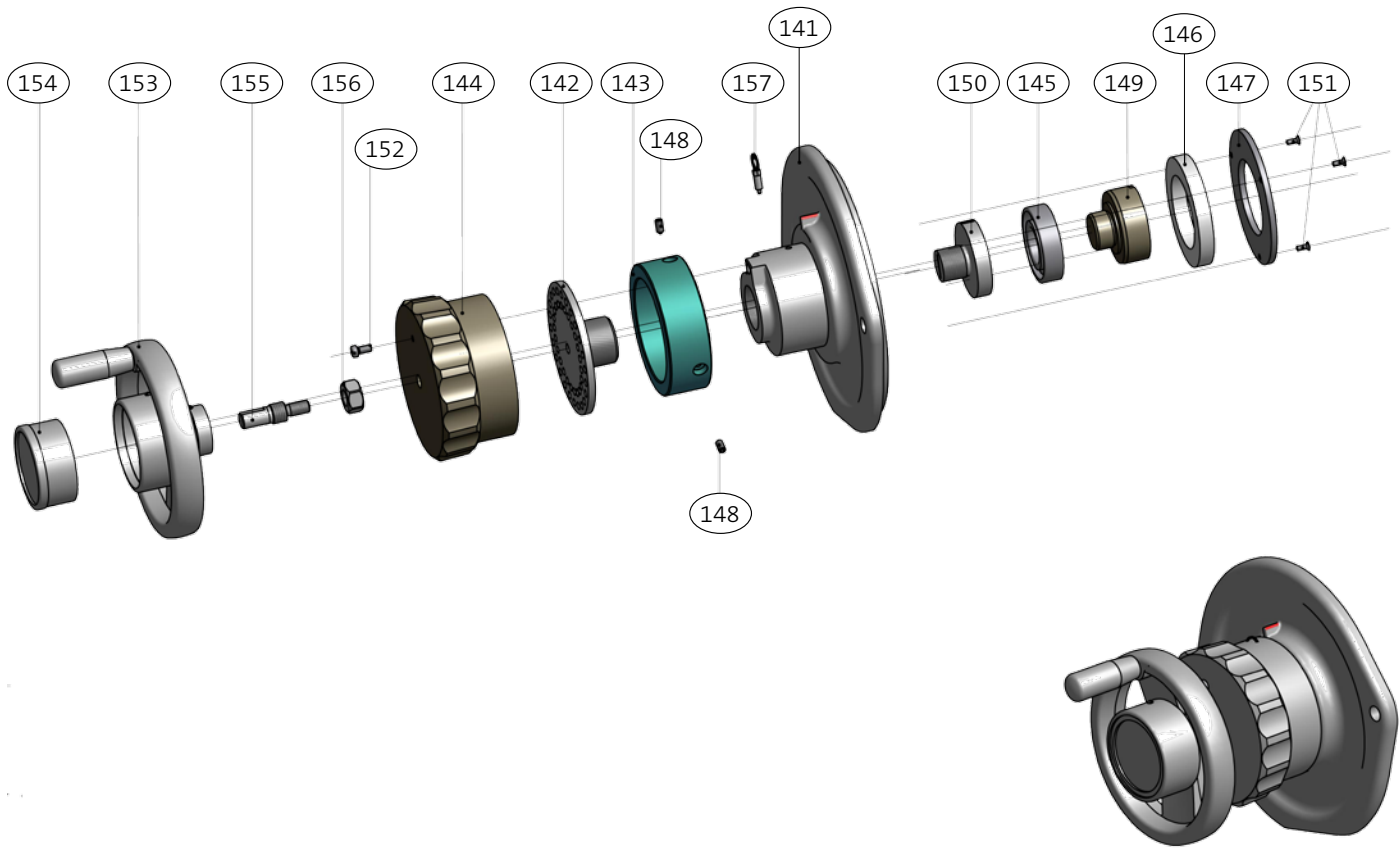
Model: DK 27

ARTICLE NO.	DRAWING NO.	DESCRIPTION
307888	108	Adjustment-fix-ring DK27 stepless grind adjustment
307886	109	Adjustment cap DK27 stepless grind adjustment
307893	110	Threaded bolt DIN976B-M6x50
305544	111	Hexagon nut EN24 032 (DIN934) M6 8 gal Zn
307889	112	Knurled nut DIN467-M6 A2 flat
307892	113	Knurled knob GN 676-25-M6-SG
301368	114	Threaded pin M6 x 12 DIN914-45H
308021	115	Ball bearing seat DK27 with groove for shear plate (from serial number 357939)



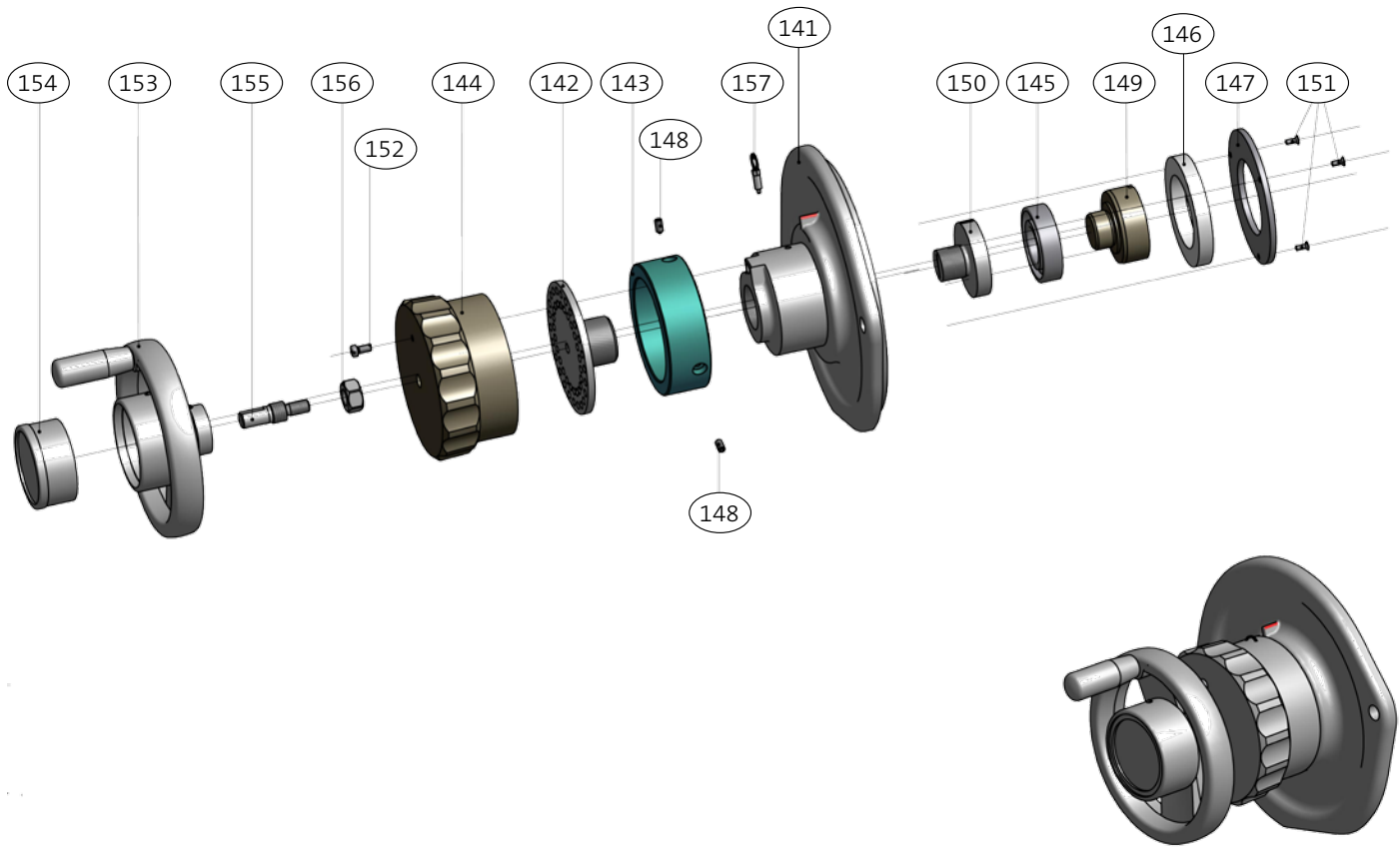
Model: DK 27

ARTICLE NO.	DRAWING NO.	DESCRIPTION
307155	136	Adjustment screw DK27 POD steel
307154	137	Threaded flange DK27 POD
307152	138	Grinder casing cover DK27 POD motor-driven grind adjustment
307328	139	Groove nut M65x2
307153	140	Flange for motor DK27 POD motor-driven grind adjustment
300622	141	Counter spacer DK27
301024	142	Angular ball bearing 7206 BEP DK7 / DK27
300995	143	Felt ring 90/60 x 12
305165	144	Compression ring DK27, diameter 110 x 5
301264	145	Countersunk head screw M4x10 DIN963 4.8 zn.
308021	146	Ball bearing seat DK27 with groove for shear plate (from serial number 357939)
301605	147	Cylinder screw M8 x 80 DIN912 8.8



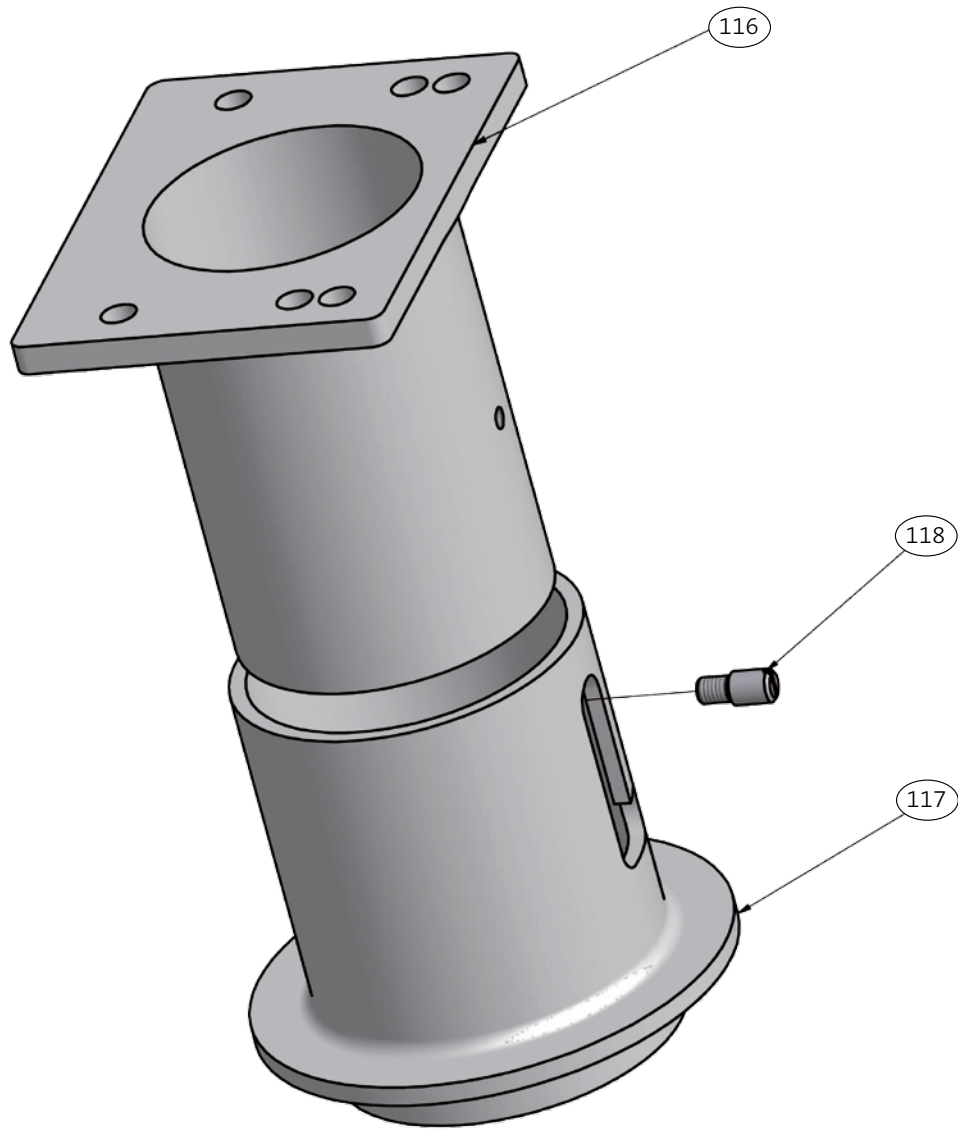
Model: DK 27

ARTICLE NO.	DRAWING NO.	DESCRIPTION
101435	141	Grinder housing lid DK27 stepless adjustment with indication (STATE COLOUR)
101270	142	Stepless adjustment screw DK27 steel
101432	143	Adjustment-fix-ring DK27 stepless grind adjustment with indication
307886	144	Adjustment cap DK27 stepless grind adjustment
301024	145	Angular ball bearing 7206 BEP
300995	146	Felt ring 90/60 x 12
305165	147	Compression ring DK27, diameter 110 x 5
301368	148	Threaded pin ISO4027 DIN914-M6x12 45H
308021	149	Ball bearing seat DK27 with groove for shear plate (from serial number 357939)
101269	150	Threaded counter panel
301264	151	Countersunk head screw M4x10 DIN963 4.8 zn.
301440	152	Flat head screw ISO1580 DIN85A-M6x12 zn.
101448	153	Spoke hand wheel (GN 522.8)



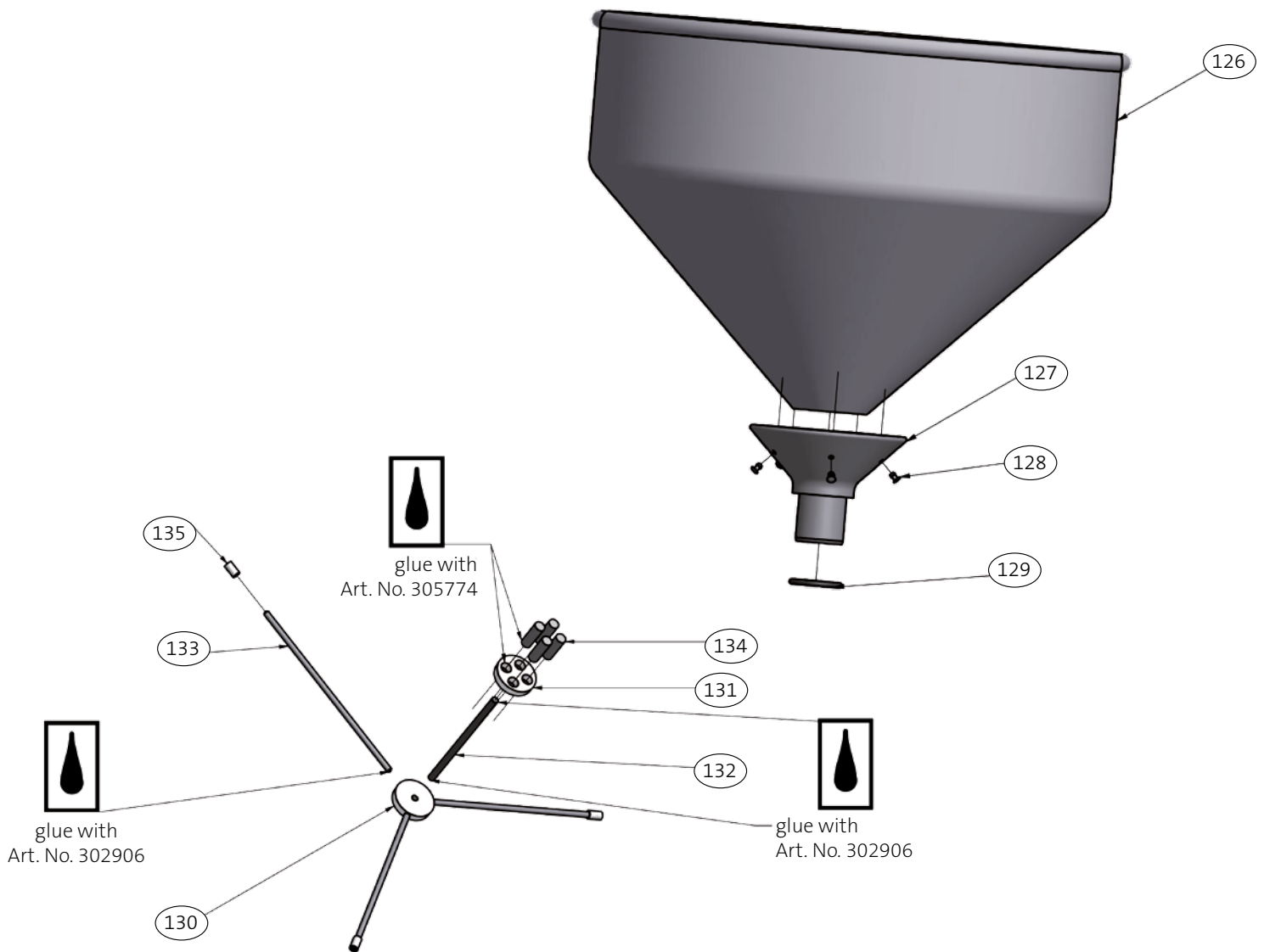
Model: DK 27

ARTICLE NO.	DRAWING NO.	DESCRIPTION
101449	154	Adjustment indicator (GN 000.8-60-6-L)
101450	155	Threaded spindle
301606	156	Hex nut DIN934-M16-8-VZ
101442	157	Notch bolt (GN 717-3-M6-A-NI)



Model: DK 27

ARTICLE NO.	DRAWING NO.	DESCRIPTION
300198	116	Spout upper part
300197	117	Spout lower part
300867	118	Shoulder screw 13/7 x 5



Model: DK 27

ARTICLE NO.	DRAWING NO.	DESCRIPTION
301095	126	Hopper
309757	127	Hopper support DK27
301363	128	Blind rivet A5 x 16 DIN7337 AL/ST, RIV-SET
302762	129	O-ring 55x6
300195	130	Magnet holder cone, upper part
300226	131	Magnet holder cone, lower part
305083	132	Threaded bold for magnet holder M10x208
305084	133	Round bar for magnet holder, DK27
300943	134	Magnet D=15 x 45mm
302757	135	Plastic tube 8x2 mm PVC, transparent
305774	--	Loctite 480 Crylat glue black bottle a' 20 gr
302906	--	Loctite 601 join connection, high-strength 50ml/bottleh

Changes In The Spare Parts List:

VALID FROM SERIAL NO.	ARTICLE NO.	DRAWING NO.	DESCRIPTION	COMMENT
2.1	301280	p.5 no.15	Washer DIN125 A13 gal Zn	301280 replaces 305643
2.1	303954	p.5 no.60	Grinding disc set DK27LST (steel, turkish fine)	303954 replaces 305801
2.1	305227	p.5 no.66	Grinding disc set DK27LHMT (tungsten carbide, turkish fine)	305227 replaces 310933
2.1	305226	p.5 no.67	Grinding disc set DK27LHM (tungsten carbide)	305226 replaces 310599
2.1	303952	p.5 no.68	Grinding disc set DK27L (cast steel)	303952 replaces 303951
2.1	303950	p.5 no.69	Grinding disc set DK27LS (steel)	303950 replaces 303653
2.1	305770	p.2 no.39	Clip	deleted
	301264	no. 40	Countersunk head screw M4x10 DIN963 4.8 zn.	
2.1	302380	p.2 no.71	Motor starting unit DK27 220V/60Hz	deleted
	302373	no.72	Motor starting unit 440 V M15S1 A230/00620 M automit star	
2.1	300052	p.4 no.1a	Grinder casing DP27 / DG27 (pepper, spices / grain)	new in spare parts list
2.1	301713	p.6 no.71	Retaining ring I40 x 1,75 DIN472 (Seeger)	new in spare parts list
2.1	101451	p.6 no.79	Assembly group grinder casing cover DK27 stepl. adj. with indication	new in spare parts list
2.1	307822	p.6 no.84	Assembly group grinder casing cover DK27 POD (STATE COLOUR)	new in spare parts list
2.1	307729	p.9 no.79	Flange schutter top	new in spare parts list
2.1	-	p.16&17	Assembly group grinder casing cover DK27 stepl. adj. with indication	new in spare parts list
2.1	100194	p.20 no.23	Pre-breaker feed worm DK27 for grind speed increase	new in spare parts list
2.2	101794	46	Grounds cart with earthing pin	new: only available with earthing pin
2.3	-	119-121	Prebreaker DK27 - spare parts not available anymore - only complete prebreaker available (see no.4)	deleted
2.3	-	122-125	Prebreaker DK27 for grind speed increase - spare parts not available anymore - only complete prebreaker available (see no.74)	deleted
2.4	302012	14	Pressure spring (DK17L) 3,6xd36,4x45,1x2,5mm	new material number (replaces 301974)
2.5	310998	24	Infeed tube flange DK27 machined	new material number (replaces 300058)