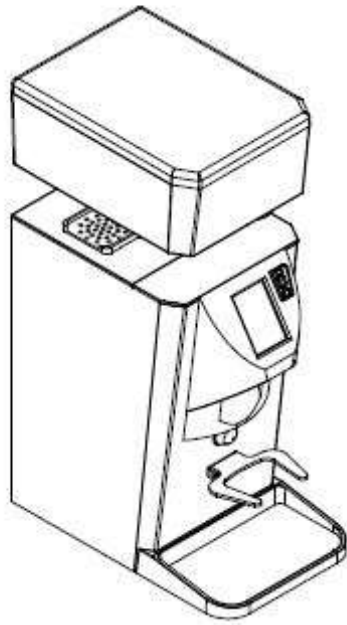


SPARE PARTS BOOK



02/11/2023



- T.01 **GRINDERS PARTS**
PARTI MACINADOSATORE
- T.02 **MOTOR+DISPLAY PARTS**
PARTI MOTORE+DISPLAY

» LEGEND :

THE CODES WRITTEN IN BOLD REFER TO THE COMPONENTS
EMPLOYED CURRENTLY.

THE CODES USED BEFORE ARE WRITTEN IN CORSIVE WITH INDICATED,
ON THE SIDE, THE END OF VALIDITY DATE.

EXAMPLE:

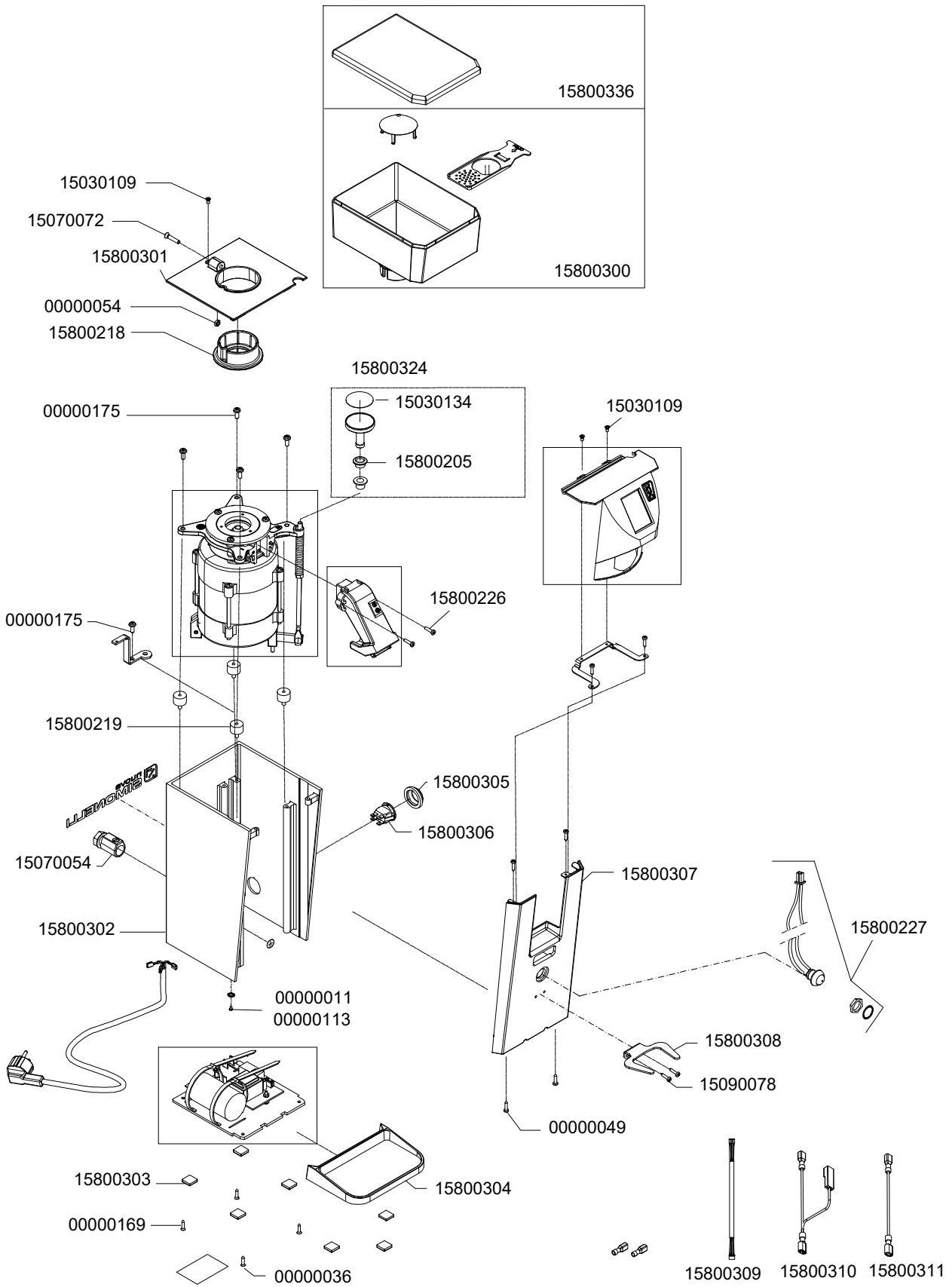
03001531 - 01/09/2007

03001531



PARTI MACINADATORE

GRINDERS PARTS



T.01





PARTI MACINADATORE

GRINDERS PARTS

COD.	DESCRIPTION	DESCRIZIONE	VAL.
0000011	S/S KNURLED WASHER M4 UNI8842/A	RONDELLA INOX M4 ZIGRINATA UNI8842/A	
0000036	GALV CROSS HEAD COUNTERSUNK SCREW M3x10	VITE AQ M3x10 T SVP T.CR.ZINC	
0000054	GALV HIGH NUT M4	DADO AQ M4 ALTO ZINCATO	
00000113	S/S CROS SHEAD CAP SCREW M4x6 7985	VITE INOX M4x6 TC TCR 7985	
00000169	S/S SELF-TAPPING SCREW 2,9x13 TSP/TCR	VITE AUTOF INOX 2,9x13 TSP/TCR	
00000175	S/S CROSS HEAD CAP SCREW M4X10	VITE INOX M4x10 TC TCR	
15800300	SEMICOMPLETE HOPPER DUO 2323.4000FNR00-XXM	CAMPANA SEMICOMPLETA DUO FUME' 2323.4000FNR00-X	
15030109	S/S SCREW M3x6 TSP TCR 6060.0092	VITE INOX M3x6 TSP TCR 6060.0092	
15030134	HANDLE ADHESIVE LABEL GRINDER REGISTER E80	ETICHETTA REGOLAZ. MACINATURA SU POMELLO E80	
15070072	S/S SCREW M4x20 ROUND HEAD 6060.0146	VITE INOX M4x20 TESTA X SVAS. BOMBATA 6060.0146	
15090078	PLASTIC SCREW 3x7	VITE 3x7 xPlastica (WN1412KB30X7Z) 6060.0135	
15800205	HANDLE GASKET MIGNON 2311.0029	GUARNIZIONE POMELLO MIGNON 2311.0029	
15800218	HOPPER GASKET MIGNON 2311.0035	GUARNIZIONE CAMPANA MIGNON 2311.0035	
15800219	ANTIVIBRATION D15xH10xL10 M4 M/F SH.60 6040.0088	ANTIVIBRANTE D15xH10xL10 M4 M/F SH.60 6040.0088	
15800226	SCREW AQ M3x12 TC T.CR GALV 6060.0056	VITE AQ M3x12 TC T.CR ZINC 6060.0056	
15800227	KIT MICRO (1000.0009 + CAV73 +6062.0018-0009) 2311.0100	KIT MICRO (1000.0009 + CAV73 +6062.0018-0009)2311.0100	
15800301	SUPERIOR COVER DUO 2323.0003A0R00-XXG	COPERCHIO SUPERIORE DUO 2323.0003A0R00-XXG	
15800303	SQUARE ADHESIVE FOOT 12,7X3,1 DUO 6040.0063	PIEDINO ADESIVO QUADRATO 3M 12,7X3,1 DUO 6040.0063	
15800304	COFFEE DRIP TRAY DUO 2323.0193A0R00	PIATTINO RACCOGLI CAFFE DUO 2323.0193A0R00	
15800305	SWITCH COVER DUO 6040.0146	CUFFIA INTERRUETTORE DUO 6040.0146	
15800308	FIXED FORK DUO 2323.0089A0R00	FORCELLA FISSA INOX DUO 2323.0089A0R00	
15800309	POWER SUPPLY/DISPLAY CABLE CONNECTION DUO 2312.0114	CAVO COLLEGAMENTO ALIM/DPY DUO 2312.0114	
15800310	DOUBLE INTERNAL CONNECTION/ENGINE CABLECAV80	CAVETTO DOP. COLL. INT/ MOT DUO CAV80	
15800311	INTERNAL CONNECTION/BOARD CABLE DUOCAV79	CAVETTO COLL. INT/ SCHEDA DUO CAV79	
15800324	GRINDER REGISTER HANDLE DUO RIC-POM.2323-001	POMELLO DI REG. COMPLETO DUO RIC-POM.2323-001	
15800336	HOPPER COVER DUO 2323.0050FNR00-XXG	COPERCHIO CAMPANA DUO FUME' 2323.0050FNR00-XXG	

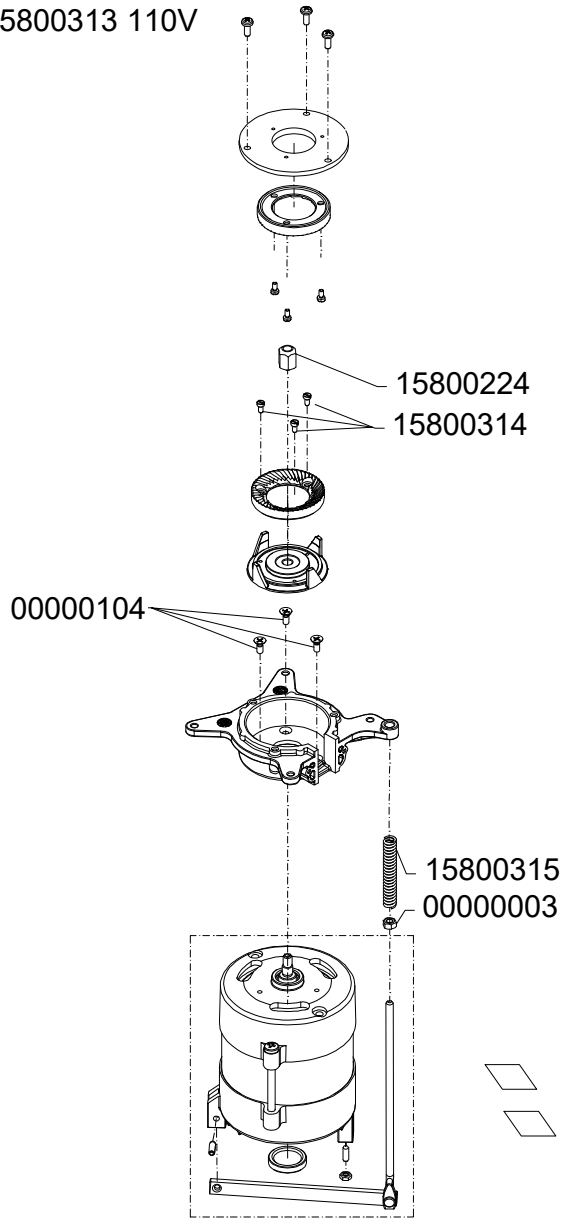




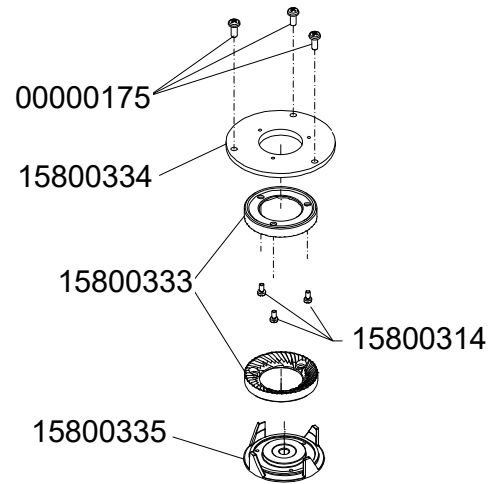
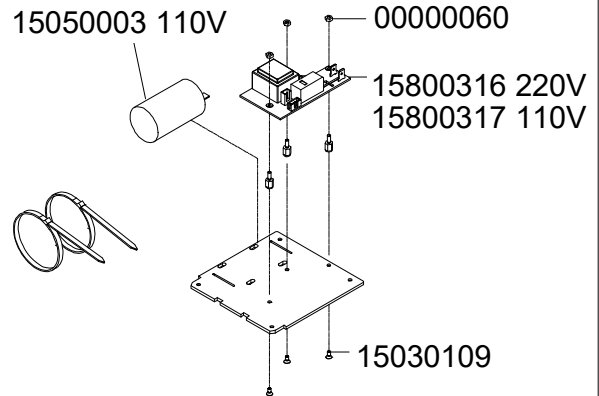
PARTI MOTORE+DISPLAY

MOTOR+DISPLAY PARTS

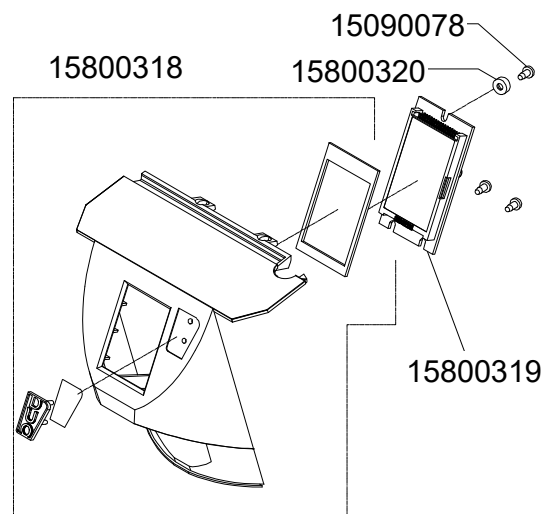
15800312 220V
15800313 110V



15800035 220V
15050003 110V

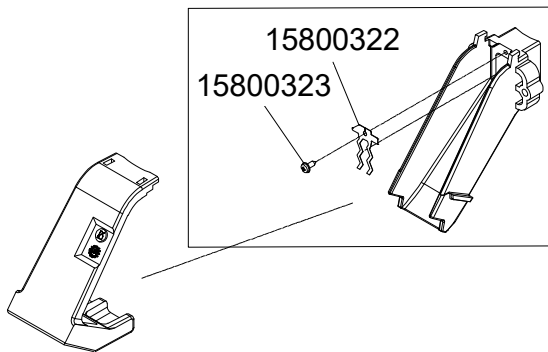


15800331



15800332

15800321



T.02





PARTI MOTORE+DISPLAY
MOTOR+DISPLAY PARTS

COD.	DESCRIPTION	DESCRIZIONE	VAL.
00000003	NUT AQ M5 5588	DADO AQ M5 5588	
00000060	GALV MEDIUM NUT AQ M3	DADO AQ M3 MEDIO ZINCATO	
00000104	S/S CROSSHEAD COUNTERSUNK SCREW M4x10 DIN965	VITE INOX M4x10 TSP TCR DIN965	
00000175	S/S CROSS HEAD CAP SCREW M4X10	VITE INOX M4x10 TC TCR	
15030109	S/S SCREW M3x6 TSP TCR 6060.0092	VITE INOX M3x6 TSP TCR 6060.0092	
15050003	CAPACITOR 20microf 115V	CONDENS. 20microf 115V 1013.0020	
15090078	PLASTIC SCREW 3x7	VITE 3x7 xPlastica (WN1412KB30X7Z) 6060.0135	
15800035	CAPACITOR MCF 230V 8MICROF	CONDENSATORE MCF 220/MON 1013.0008 8MICROF	
15800224	NUT MCF 2531.0003	CHIOCCIOLA MCF 2531.0003	
15800312	COMPLETE ENGINE DUO 230V RIC-MO1.XX55-002	MOTORE COMPLETO DUO 230V RIC-MO1.XX55-002	
15800313	COMPLETE ENGINE DUO 110V RIC-MO2.XX55-002	MOTORE COMPLETO DUO 110V RIC-MO2.XX55-002	
15800314	S/S CYLINDRICAL CAP SCREW M4X7 6060.0203	VITE M4X7 TC COMBI INOX 6060.0203	
15800315	GRINDING REGULATOR SPRING ME/MP/MCI/MCF6002.13	MOLLA TIRANTE REGISTRO ME/MP/MCI/MCF 6002.1336	
15800316	ELECTRIC BOARD DUO 220V 5700.0220	SCHEDA ELETTRICA DUO 220V 5700.0220	
15800317	ELECTRIC BOARD DUO 110V 5700.0110	SCHEDA ELETTRICA DUO 110V 5700.0110	
15800318	DISPLAY FRONT PANEL KIT DUO RIC-FRO.2323-001	KIT FRONTALINO PER DISPLAY DUO RIC-FRO.2323-001	
15800319	TOUCH DISPLAY BOARD DUO 2312.0012V1904EU	SCHEDA DISPLAY TOUCH DUO 2312.0012v1904EU	
15800320	SCREWS UNDERHEAD BLACK 3mm 2580.0063	SOTTOTESTA x VITI TC 3mm NERO 2580.0063	
15800321	ASSEMBLED COFFEE SLIDE KIT DUO 2311.0007M-KIT	KIT BOCCHETTONE ASSEMBL. DUO 2311.0007M-KIT	
15800322	METAL FLAP DUO 2311.0027V1707	FLAP METAL x DUO 2311.0027V1707	
15800323	GALV SCREW 2.2X6 6060.0045	VITE 2.2x6 (+) FINIT ROND ZINC 6060.0045	
15800332	COFFEE SLIDE+COVER KIT DUO RIC-GBO.2323-001	KIT BOCCHET. CON COPERCHIO DUO RIC-GBO.2323-001	
15800333	BURRS PAIR D.55 RIC-MAC.XX55-001	COPPIA MACINE D.55 RIC-MAC.XX55-001	
15800334	SUPERIOR BURRS HOLDER DUO 2312.0005A0R05-XXL	PORTAMACINE SUP DUO 2312.0005A0R05-XXL	
15800335	INFERIOR BURRS HOLDER DUO 2312.0014PFR05-XXL	PORTAMACINE INF DUO 2312.0014PFR05-XXL	



www.nuovasimonelli.it

Simonelli Group

Via E. Betti, 1
62020 Belforte del Chienti
Macerata - Italy
T +39 07339501
info@simonelligroup.it
www.nuovasimonelli.it

Nuova Distribution Usa

6940 Salashan Pkwy, Bldg, A
Ferndale, WA 98248
T +1 3603662226
info@simonelliusa.com
www.simonelliusa.com

Nuova Simonelli Asia Pacific

61 Kaki Bukit Ave 1
#02-24 Shun Li Industrial Park
Singapore 417943
T +65 68410985
www.nuovasimonelliasiapacific.com

Nuova Distribution France

Hexapole - Actipole - Bat 5
Rue Maurice Herzog
73420 Viviers Du Lac
T +33 (0) 967894852
info@nuovadistribution.fr