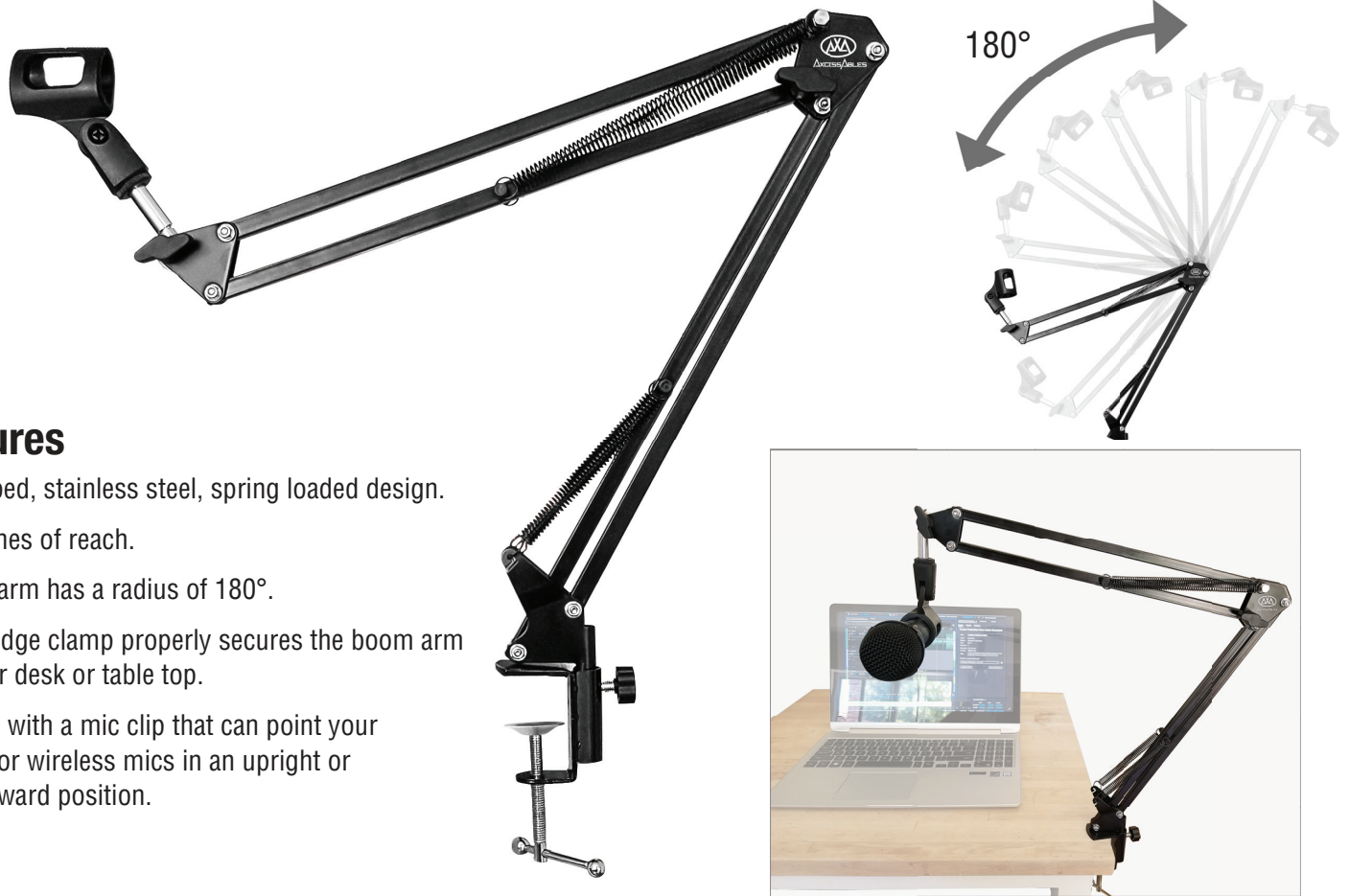




SWIVEL BOOM

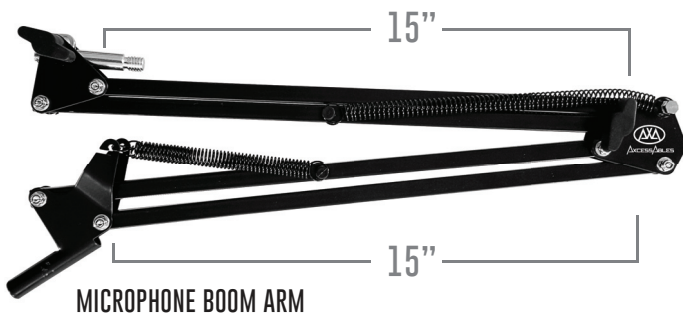
DESKTOP MOUNT MICROPHONE BOOM ARM



Features

- L-Shaped, stainless steel, spring loaded design.
- 30-inches of reach.
- Boom arm has a radius of 180°.
- Table edge clamp properly secures the boom arm to your desk or table top.
- Comes with a mic clip that can point your wired or wireless mics in an upright or downward position.

PACKAGE INCLUDES WITH SPECIFICATIONS



MICROPHONE BOOM ARM

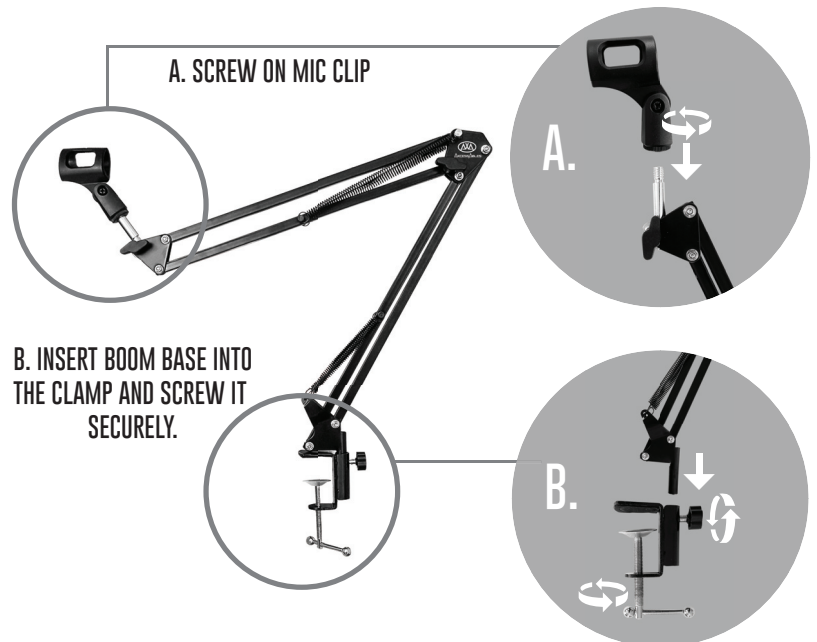


TABLE EDGE STEEL CLAMP



MIC CLIP

EASY ASSEMBLY



A. SCREW ON MIC CLIP

B. INSERT BOOM BASE INTO THE CLAMP AND SCREW IT SECURELY.

ANY QUESTIONS? VISIT US AT AXCESSABLES.COM