

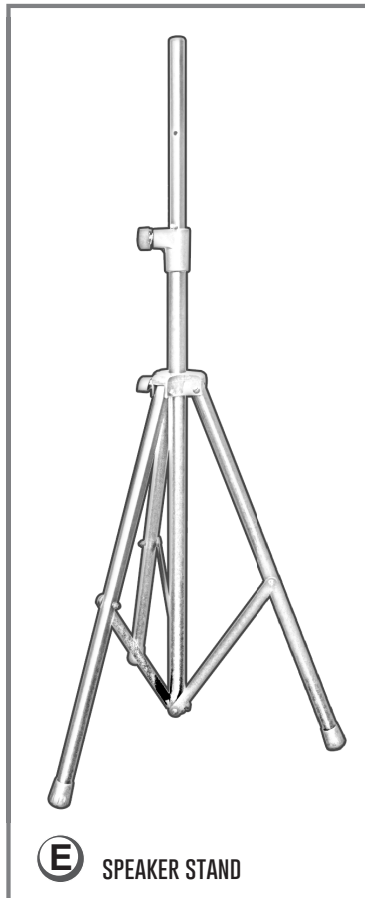
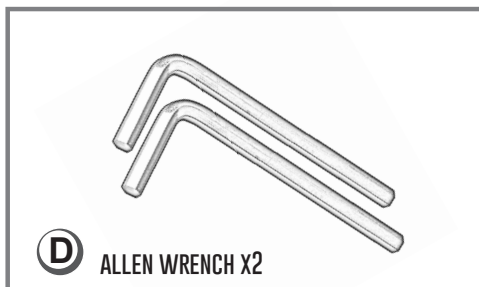
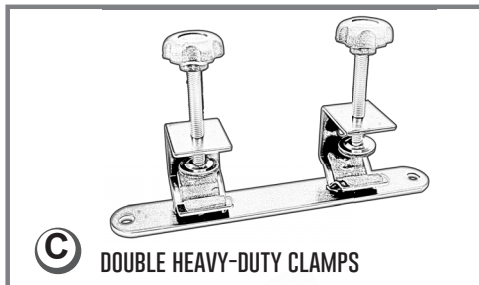
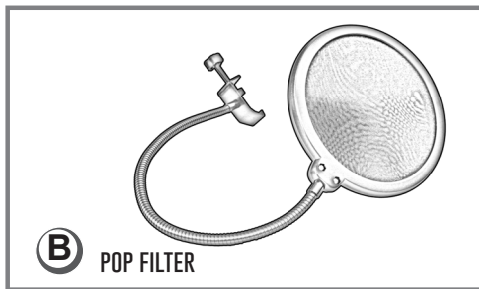
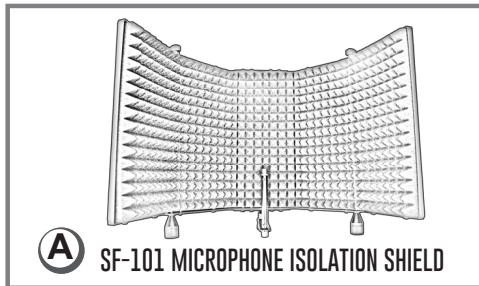


AXCESSABLES®

# SF-101 KIT

## MICROPHONE RECORDING ACOUSTIC ISOLATION SHIELD WITH STAND

### PACKAGE INCLUDES



# ASSEMBLY INSTRUCTIONS

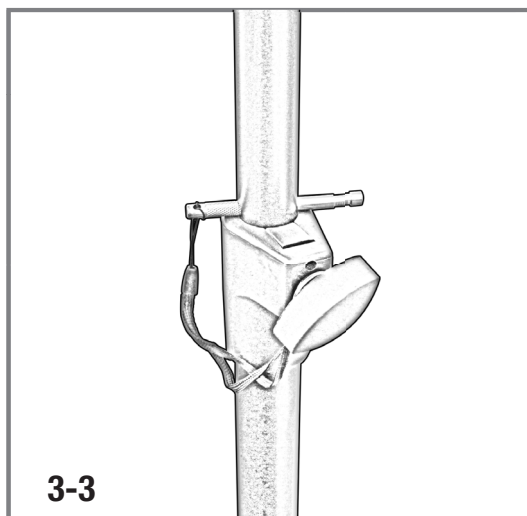
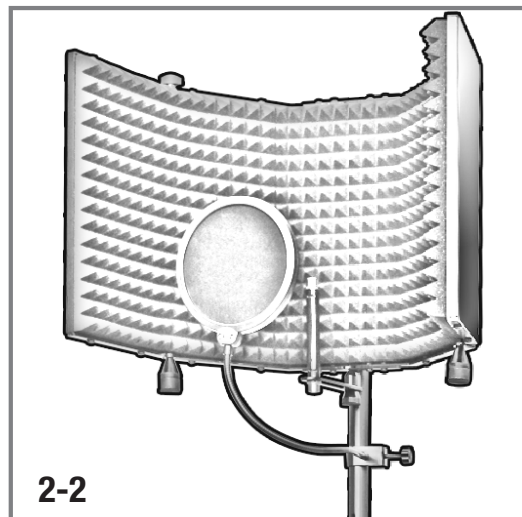
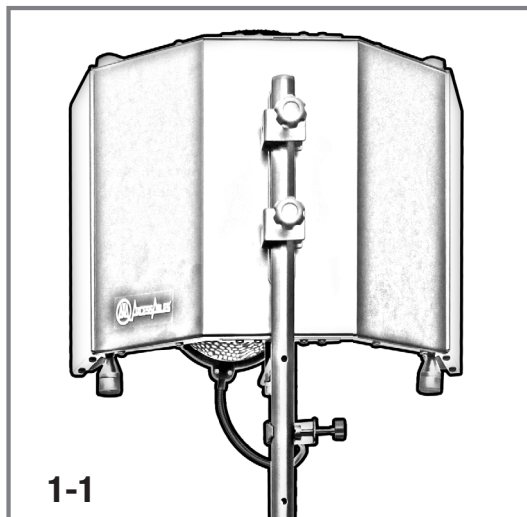
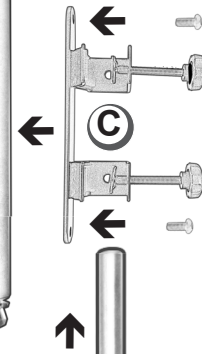
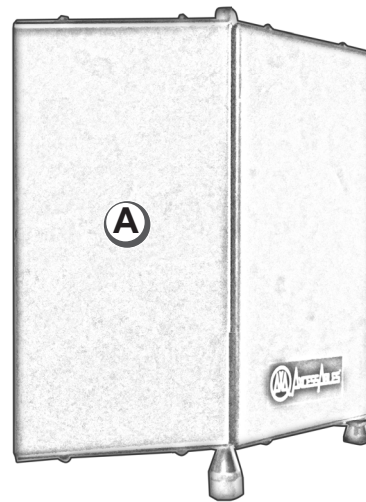
# SF-101 KIT

1. Assemble SF-101 **Microphone Isolation Shield (A)** and its components according to its Manual.

2. Screw the **Double Heavy-Duty Clamps (C)** on the back of the **Microphone Isolation Shield (A)**.

\* Use the **Allen Wrench (D)** provided to tighten screws.

3. Slide the **Speaker Stand (E)** up into the **Double Heavy-Duty Clamps (C)** and securely tighten the clamps on. The back should look like example **1-1**.



4. Securely clamp tight **Pop Filter (B)** on the **Speaker Stand (E)** just below the **Microphone Isolation Shield (A)**. See 2-2.

5. **Speaker Stand (E)** has a non-shifting locking pin (3-3) for secure positioning and adjustment.

\* Adjustable height from 42" - 74" with a load capacity of up to 88 lbs.

