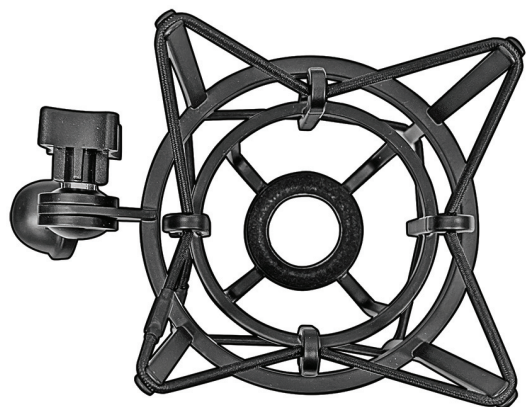




MSM-BK MICROPHONE SHOCK MOUNT WITH ADAPTERS



LIST OF PARTS



AccessAbles Microphone Shock Mount (x1)



Threaded microphone adapters (x4)

California Prop 65 Warning

This product contains chemicals, including lead, known to the State of California to cause cancer and birth defects or other reproductive harm. Wash hands after handling.

Thank you for purchasing another high quality AccessAbles product. Please follow these product instructions and safety tips to ensure years of use and safe practices when using this product.

IMPORTANT INSTRUCTIONS

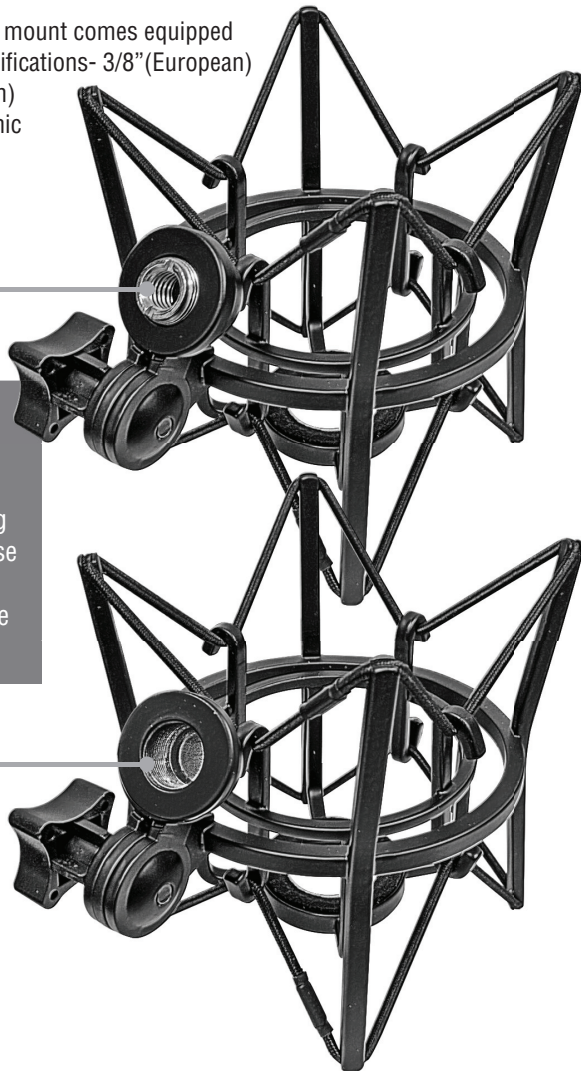
The AXCMSM-BK shock mount comes equipped with two (2) thread specifications- 3/8" (European) and 5/8" (North American) - for mounting to your mic stand of choice.

3/8"
EUROPEAN

NOTE:

To use larger North American thread for mounting to mic stand, reverse out inner threaded sleeve to expose the 5/8" threading.

5/8"
NORTH AMERICAN



The AXCMSM-BK also comes with four (4) solid metal adapters that make it compatible with most popular studio mics. Our included adapter configurations are as follows:



20mm

Compatible with Rode mics (NT1-A / NT2-A / Procaster / Podcaster / NTK / NT 1000 / NT 2000 / K2).



22mm

Compatible with Audio-Technica mics (AT2020 / AT2020USB), AKG mics (P120 / P220 / P420), Blue mics (Bird SL / Baby Bottle SL / Spark SL) (Does not fit Blue Yeti, Snowball or Nano models).



22mm

Compatible with MXL models (990 / 770 / R77 / TEMPO / V67G / Revelation / 2006), and some Samson models (C01 / C03 / C01U / C03U / CL7 / CL8).

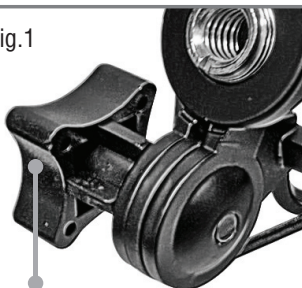


25mm

Compatible with Neumann model U87.

Remove threaded microphone adapters from plastic pouches and gently ease threads onto your mic to find the correct adapter for your mic. Do not force adapter threads onto threaded microphone post and damage the threads on either part. The correct adapter will thread smoothly and easily.

Fig. 1



LOCKING THREADED KNOB

Use the angle adjusting **Locking Threaded Knob** which allows you to position the mic exactly where you need it. (See Fig. 1)

Fig. 2



Screw shock mount assembly on to the threaded end of mic stand in a clockwise direction. Turn until snug. Do not over tighten. Reverse this process to remove the shock mount for storage or transportation. (See Fig. 2)

IMPORTANT

This shock mount is primarily made for use with studio level condenser mics. The AXCMSM-BK is not compatible with hand-held mics. The AXCMSM-BK is not compatible with USB mics with function knobs on the housing, as the shock mount frame will interfere with use of the control knobs. AXCMSM-BK is not compatible with some USB mics with 5/8" threaded mounting posts, as 5/8" is smaller than our smallest 20mm adapter. AXCMSM-BK is not compatible with mics that do not have a threaded mount on the bottom, such as Audio Technica AT2035/AT2050, or the Heil PR40.